



### Open Frame PCAP 10 point touch screen equipped with touch through glass function

The ProLite TF1615MC-B1 (15.6 inch) uses PCAP touch technology and is built into an eye-catching bezel with edge-to-edge glass. Thanks to a glass overlay covering the screen and a rugged bezel, it guarantees high durability and scratch-resistance, making it perfect for kiosk and high use public facing applications. Equipped with a foam seal finish it supports seamless integration into kiosks and provides IP65 rating resulting in dust and water resistance from the front. Landscape, portrait and face-up orientation ensures flexible mounting possibilities in almost any installation. For ease of integration, the ProLite TF1615MC-B1 can be equipped with optional external mounting brackets making it an ideal solution for kiosk integrators, industrial environments, control rooms and interactive multimedia.



#### Touch through-glass

This through glass touch screen works right through glass and can turn glass surfaces into an interactive touch screen display. Use it on storefront windows, real estate office, in-store for POS or restaurants.



#### Foam Seal

A foam seal finish (8mm) around the monitor ensures seamless integration and optimal dust protection.

## 01 DISPLAY CHARACTERISTICS

Design	Open Frame
Diagonal	15.6", 39.5cm
Panel	IPS
Native resolution	1920 x 1080 (2.1 megapixel Full HD)
Aspect ratio	16:9
Panel brightness	450 cd/m <sup>2</sup>
Brightness	405 cd/m <sup>2</sup> with touch
Light transmittance	90%
Static contrast	1000:1
Response time (BTB)	25ms
Viewing zone	horizontal/vertical: 178°/178°, right/left: 89°/89°, up/down: 89°/89°
Horizontal Sync	31.5 - 67.5kHz
Viewable area W x H	345.2 x 194.6mm
Pixel pitch	0.17925mm
Bezel colour and finish	black

## 02 TOUCH

Touch technology	projective capacitive
Touch points	10 (HID, only with supported OS)
Touch method	stylus, finger, glove (latex)
Touch interface	USB
Supported operating systems	All iiyama monitors are Plug & Play and compatible with Windows and Linux. For details regarding the supported OS for the touch models, please refer to the driver instruction file available in the downloads section.
Through-Glass	6mm

## 03 INTERFACES / CONNECTORS / CONTROLS

Analog signal input	VGA x1
Digital signal input	HDMI x1 DisplayPort x1
Audio output	Mini jack x1
HDCP	yes

## 04 FEATURES

Extra	anti-fingerprint coating, touch through-glass, foam seal
Glass hardness	7H
60950 Ball drop test	yes
Water and dust protection	IP65 (front)
OSD key lock	yes

## 05 GENERAL

OSD languages	EN, DE, FR, ES, IT, CN, JP
Control buttons	menu, scroll up/ brightness, scroll down/ contrast, select, power

User controls	picture (contrast, brightness, H.position, V.position, H.size, phase, clock, auto adjust), advanced (colour temperature, sharpness), OSD (OSD timeout, OSD position, OSD H.position, OSD V.position, touch switch), option (reset, language, source select, display mode, factory)
---------------	--

Plug&Play	DDC2B
-----------	-------

## 06 MECHANICAL

Orientation	landscape, portrait, face-up
-------------	------------------------------

VESA mounting	100 x 100mm
---------------	-------------

Operation temperature range	0°C - 40°C
-----------------------------	------------

Storage temperature range	- 20°C - 60°C
---------------------------	---------------

MTBF	50000 hours
------	-------------

## 07 ACCESSORIES INCLUDED

Cables	power, USB, HDMI, DP
--------	----------------------

Guides	quick start guide, safety guide
--------	---------------------------------

Other	AC adapter, external control pad
-------	----------------------------------

## 08 POWER MANAGEMENT

Power supply unit	external
-------------------	----------

Power supply	DC 12 V
--------------	---------

Power usage	18W typical, 1.5W stand by, 0.3W off mode
-------------	---

## 09 SUSTAINABILITY

Regulations	CE, EAC, RoHS support, ErP, WEEE, cULus, REACH, UKCA
-------------	--

Energy efficiency class (Regulation (EU) 2017/1369)	E
---	---

REACH SVHC	above 0.1%: Lead
------------	------------------

## 10 DIMENSIONS / WEIGHT

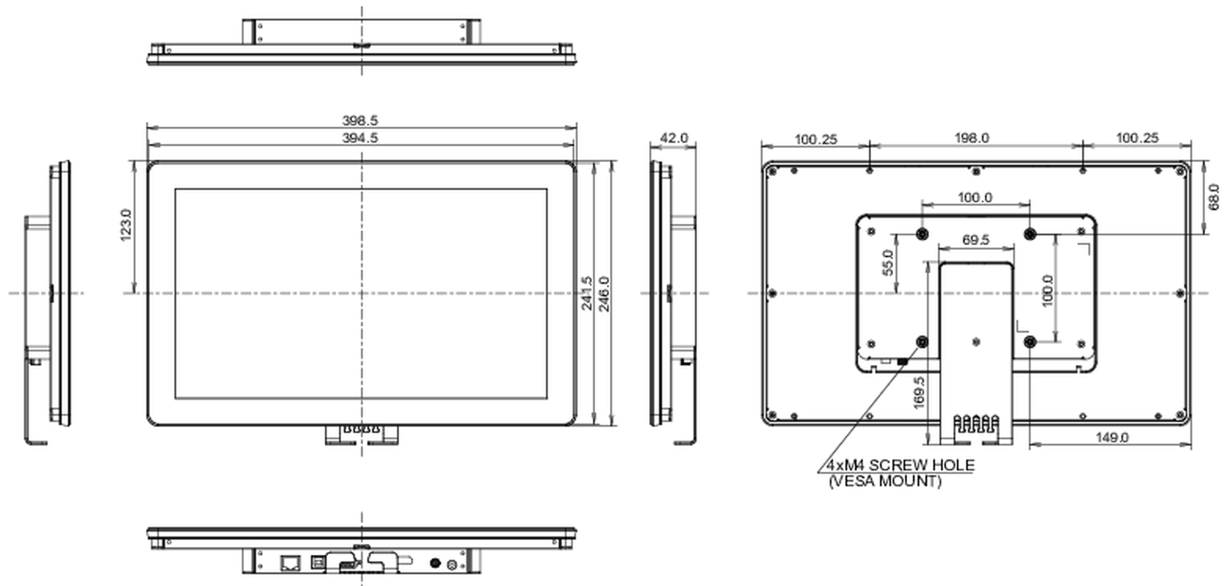
Product dimensions W x H x D	398.5 x 246 x 42mm
------------------------------	--------------------

Box dimensions W x H x D	470 x 145 x 343mm
--------------------------	-------------------

Weight (without box)	2.5kg
----------------------	-------

Weight (with box)	4.3kg
-------------------	-------

EAN code	4948570121793
----------	---------------



All trademarks and registered trademarks acknowledged. E & O E. Specification subject to change without notice. All LCD's comply with ISO-9241-307:2008 in connection with pixel defects.

© IIYAMA CORPORATION. ALL RIGHTS RESERVED