



FITS FLAT & ANGLED CEILINGS

BT7808

CEILING / WALL MOUNT WITH TILT FOR Ø50MM POLES

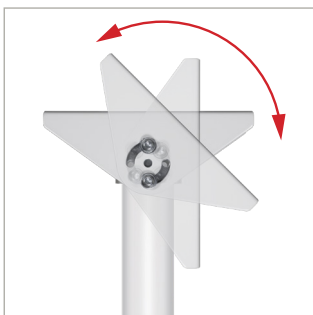
Designed to ceiling mount Ø50mm poles, the BT7808 features an adjustable tilt mechanism with a tilt range of up to 90°. This makes it ideal for mounting flat screens and projectors to flat or angled ceilings and also allows wall mounted installations in both portrait or landscape configurations.

SPECIFICATION

Max Load	140kg
Tilt	+90°
Colour	Black or White

FEATURES

- Designed to mount a Ø50mm pole to a flat or angled ceiling
- Allows poles to be mounted on to walls in horizontal or vertical configurations
- Keyhole fixing for hassle free 'hook-on' installation



Up to +90° tilt of pole for angled ceilings or walls



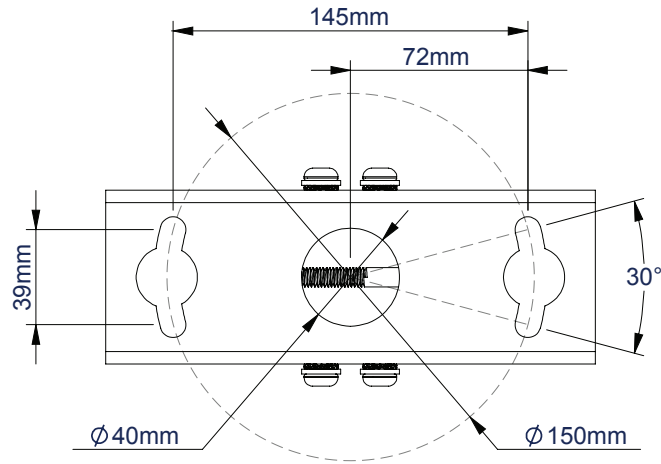
Keyhole fixing for hassle free 'hook-on' installation



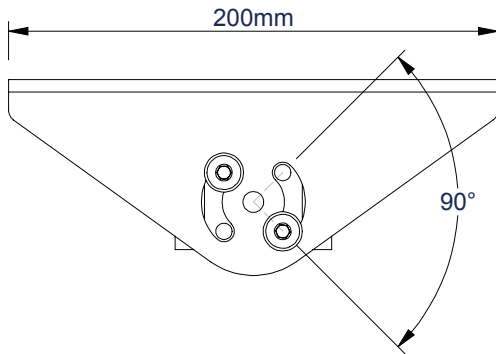
Pole mount screens from flat or angled ceilings



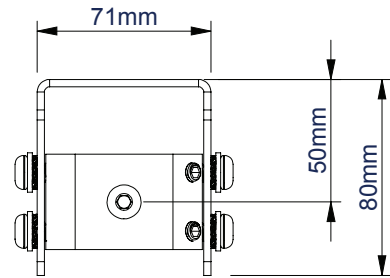
Also ideal for mounting projectors to the ceiling



TOP VIEW



SIDE VIEW

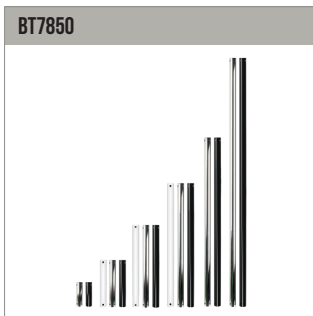


FRONT VIEW

PACKING INFORMATION

COLOUR:	ORDER REF:	EAN CODE:	MASTER CARTON QTY:	INNER CARTON QTY:	MASTER CARTON WEIGHT:	MASTER CARTON CUBE:
Black	BT7808/B	5019318759697	12	0	12.81kg	0.02cbm
White	BT7808/W	5019318306273	12	0	12.81kg	0.02cbm

ACCESSORIES AND RELATED PRODUCTS FOR USE WITH BT7808



BT7850
50mm diameter poles available in different lengths up to 3m



BT7841
50mm Accessory Collar for fixing mounts & accessories to Ø50mm poles



BT8431
Flat Screen Wall Mount with Tilt fits to Ø50mm poles using 2x BT7841 collars



BT899
Heavy Duty Projector Mount fits directly to Ø50mm poles

© 2015 B-Tech International Pty. Ltd. All rights reserved.
The information in this specification is current technical specifications at the time of print.
We reserve the right to change the technical or physical specifications without prior notice. This is not intended to constitute a contract.
B-Tech International Pty. Ltd. is not liable for loss or damage caused by improper or misuse of our products. Any reproduction or transmission or replication of any part of this specification is strictly prohibited unless prior written permission has been granted by B-Tech International Pty. Ltd.

SS-BT7808-V3-270422