



FOR
Logitech
RALLY PLUS
SPEAKERS

BT7873

MOUNTING PLATE FOR LOGITECH® RALLY VIDEOBARS



The BT7873 is designed specifically to mount a Logitech Rally Bar or a Logitech Rally Bar Mini to a variety of B-Tech products. The mounting plate allows the video bar to be mounted above or below a screen and can be fixed to B-Tech columns (BT8380, BT8381 or BT8385), single or twin ø50mm poles using a B-Tech collar, a System X rail using a BT8390-SA, or onto a compatible flat screen wall mount using a BT7031 Adjustable Accessory Mounting Arm.

SPECIFICATION

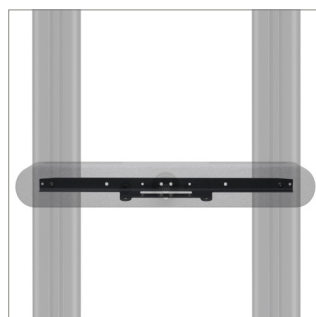
Max Load	8kg
Dimensions	440mm x 30mm
Colour	Black
Compatible Videobars	Logitech Rally Logitech Bar Mini

FEATURES

- Designed to mount the Logitech Rally Bar or Rally Bar Mini to a variety of B-Tech products
- Mounts across a single or dual BT8380, BT8381 or BT8385 columns
- Use with a BT7031 Adjustable Mounting Arm to mount onto a range of B-Tech flat screen wall mounts such as the BT8431, BT8432, BT8441, BT8442, BT9901 and BT9903
- Compatible with BT7052 / BT7841 collars for use with ø50mm poles, also suitable for use with B-Tech trolleys and floor stands
- Can also be used with BT8390-SA to mount above or below a screen that is mounted on a BT8390 System X rail
- Simple installation
- All mounting hardware included



Use with a BT7031 adaptor to mount onto a range of B-Tech flat screen mounts.



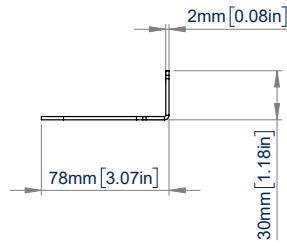
Mount directly to either single or twin columns such as System X BT8380, BT8381 or Mode-AL BT8385.



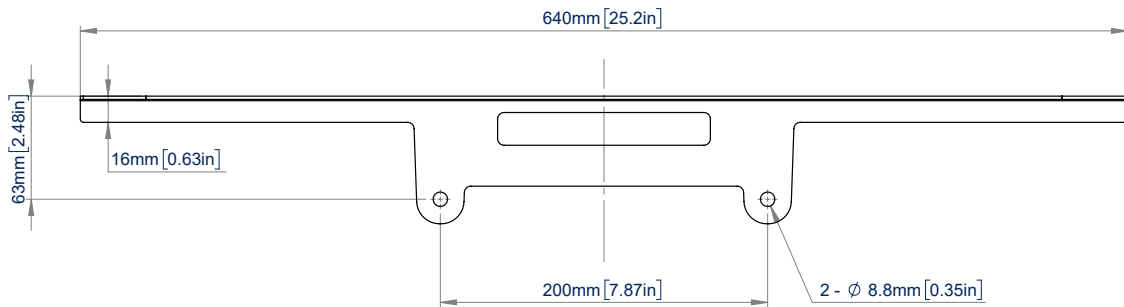
Suitable for mounting to B-Tech ø50mm poles using BT7052 Collars.



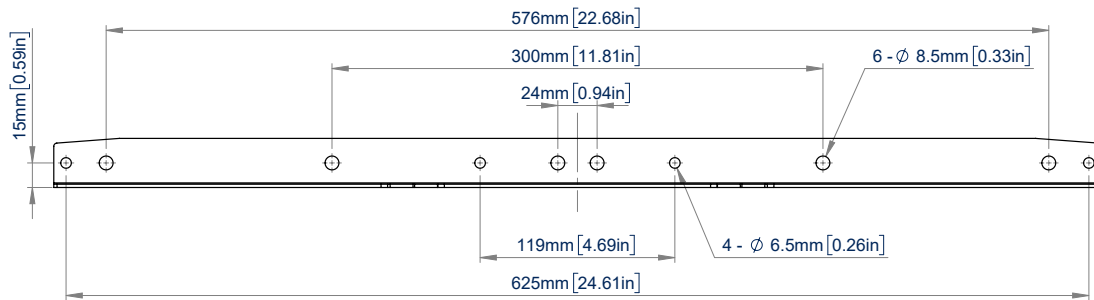
Suitable for mounting either above or below screens from B-Tech Columns or Poles.



SIDE VIEW



TOP VIEW



FRONT VIEW

PACKING INFORMATION

COLOUR:	ORDER REF:	EAN CODE:
Black	BT7873/B	5019318307010

ACCESSORIES AND RELATED PRODUCTS



BT7031
Adjustable Accessory Mounting Arm allows mounted accessories to be positioned above or below the screen(s) on a selection of B-Tech flat screen wall mounts



BT8390-SA
Adjustable Accessory Mounting Arm allows mounted accessories to be positioned above or below the screen(s) from BT8390 System X Rails



BT8380 / BT8381 / BT8385
Mounts Directly to any B-Tech Column for a fixed, freestanding or mobile applications



BT7871
Mounting Plate for UC/VC Video Bars allows the user to fit a variety of videobars / UC equipment to a range of B-Tech products

© 2019 B-Tech Mounts. All rights reserved. The information in this specification is subject to change without notice. B-Tech Mounts is a registered trademark of B-Tech International Design & Manufacturing Ltd. B-Tech Mounts is not responsible for any damage caused by improper installation or use of the product. Any reproduction or translation of any part of this specification is strictly prohibited unless prior written permission has been granted by B-Tech International Design & Manufacturing Ltd. (B-Tech)

SS-V1-BT7873-110822