

# WM-1 Quick Installation

## How to install Datavideo PTC-150\* to WM-1



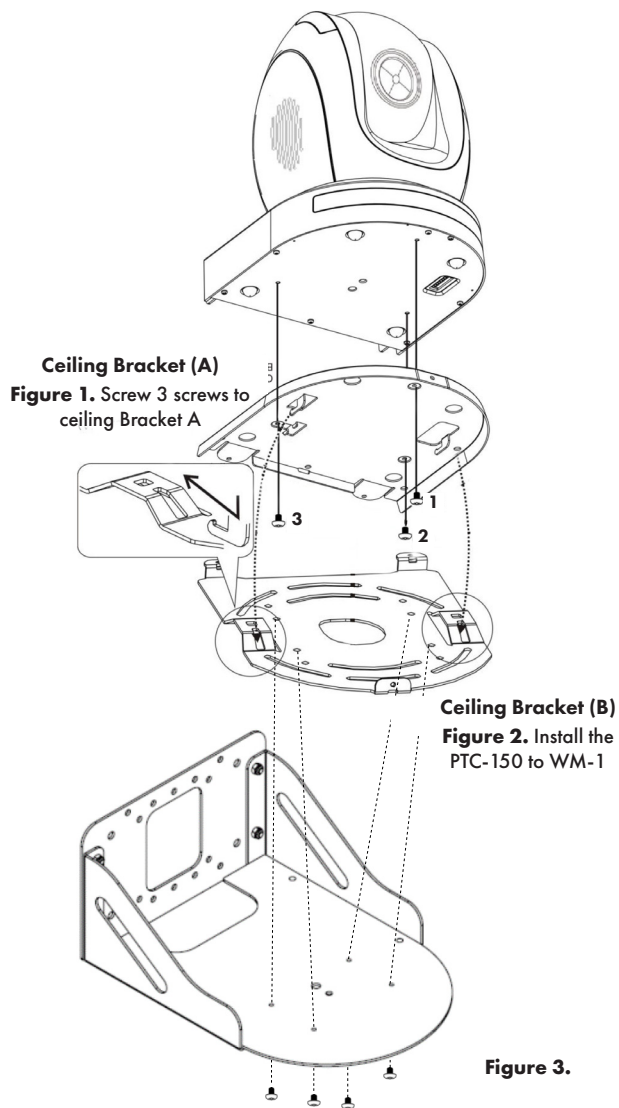
**Step 1.** Please mount WM-1 to the wall.

**Step 2.** Secure the PTC-150\* to the Ceiling Bracket A (Figure 1) by screwing 3 screws as shown.

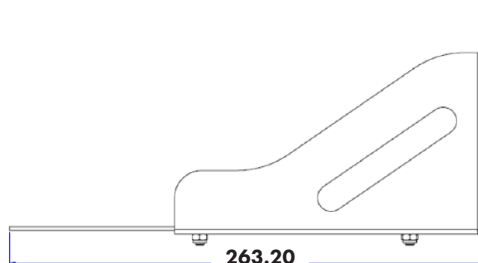
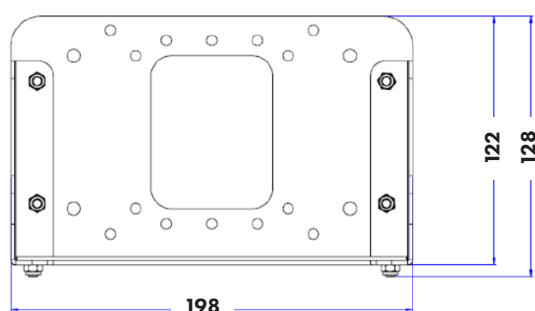
**Step 3.** Mount the PTC-150\* to the ceiling Bracket B as shown in the Figure 2.

**Step 4.** Once the PTC-150\* is mounted to Brackets A & B, secure the camera to WM-1 (Figure 3)

**Step 5.** After the PTC-150\* is mounted to WM-1, connect the cables through the rectangular hole on the Bracket A as shown below.



### Dimensions



Measurements in  
millimeters (mm)

\* Please note that the WM-1 wall mount can be applied to the PTC-140(T), PTC-150(T) and PTC-200(T). This manual uses the PTC-150 as an example to show how it can be installed onto WM-1.