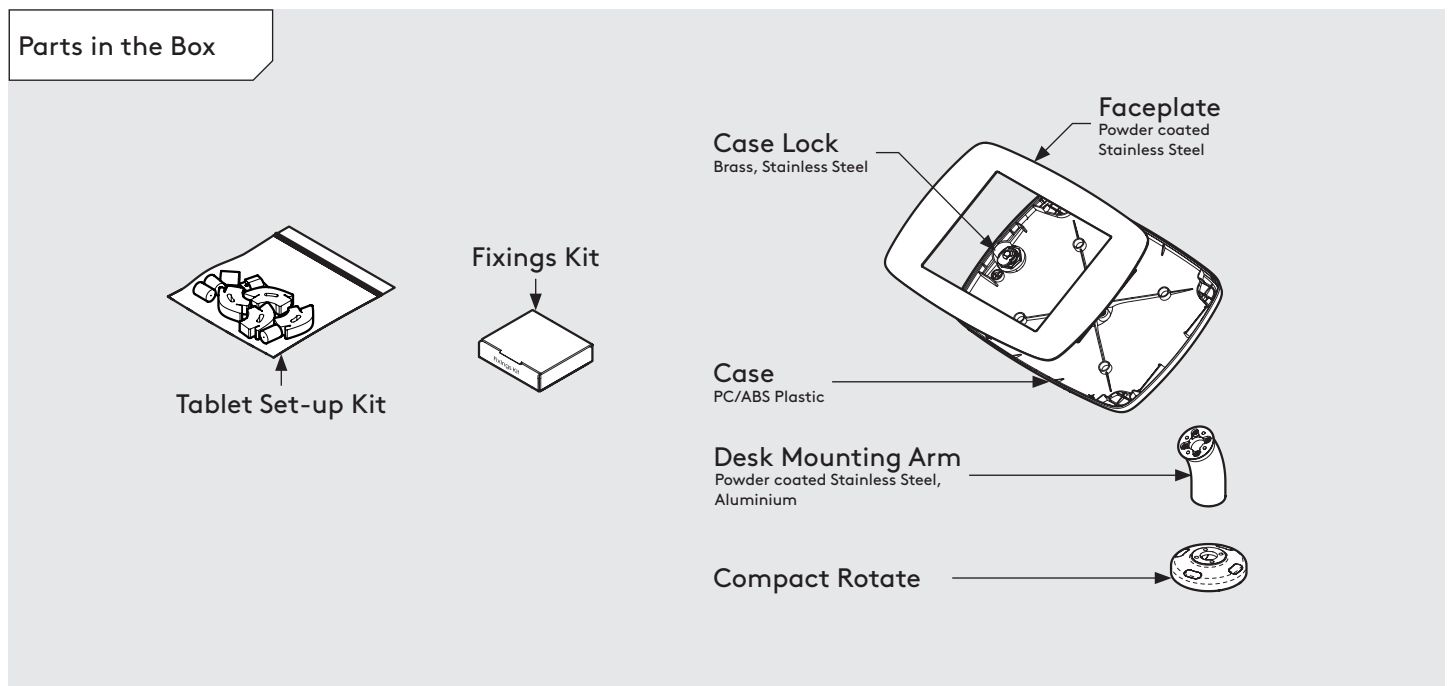
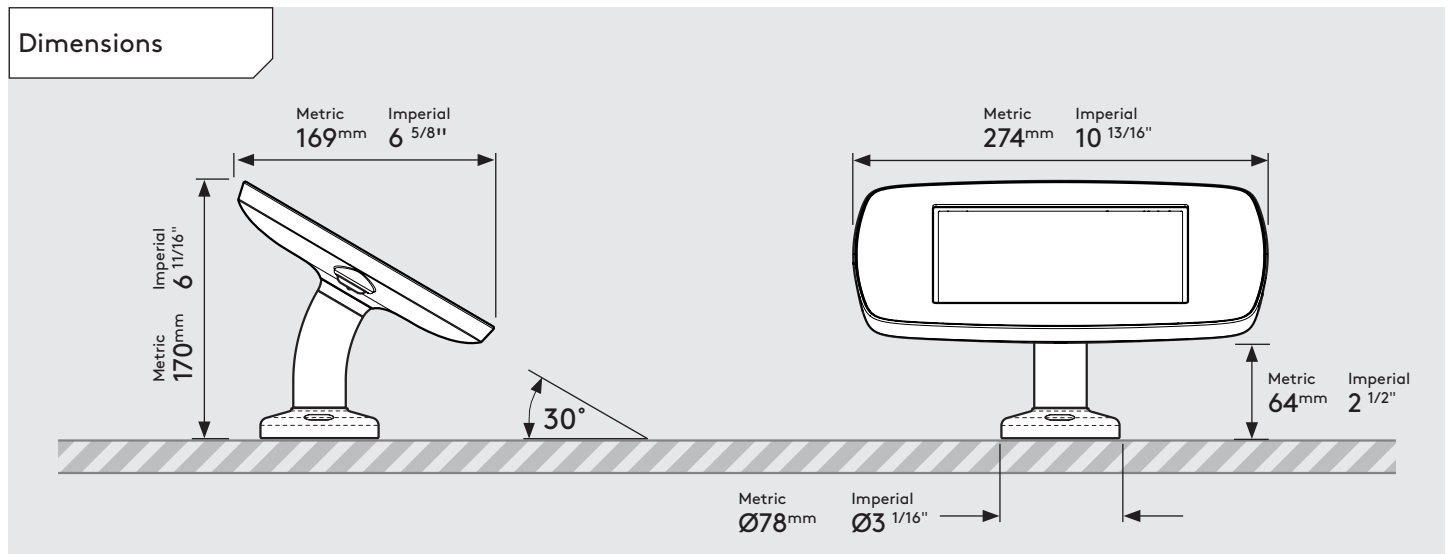


PRODUCT DATA SHEET - SWIVEL DESK (MINI CASE)

bouncepad[®]

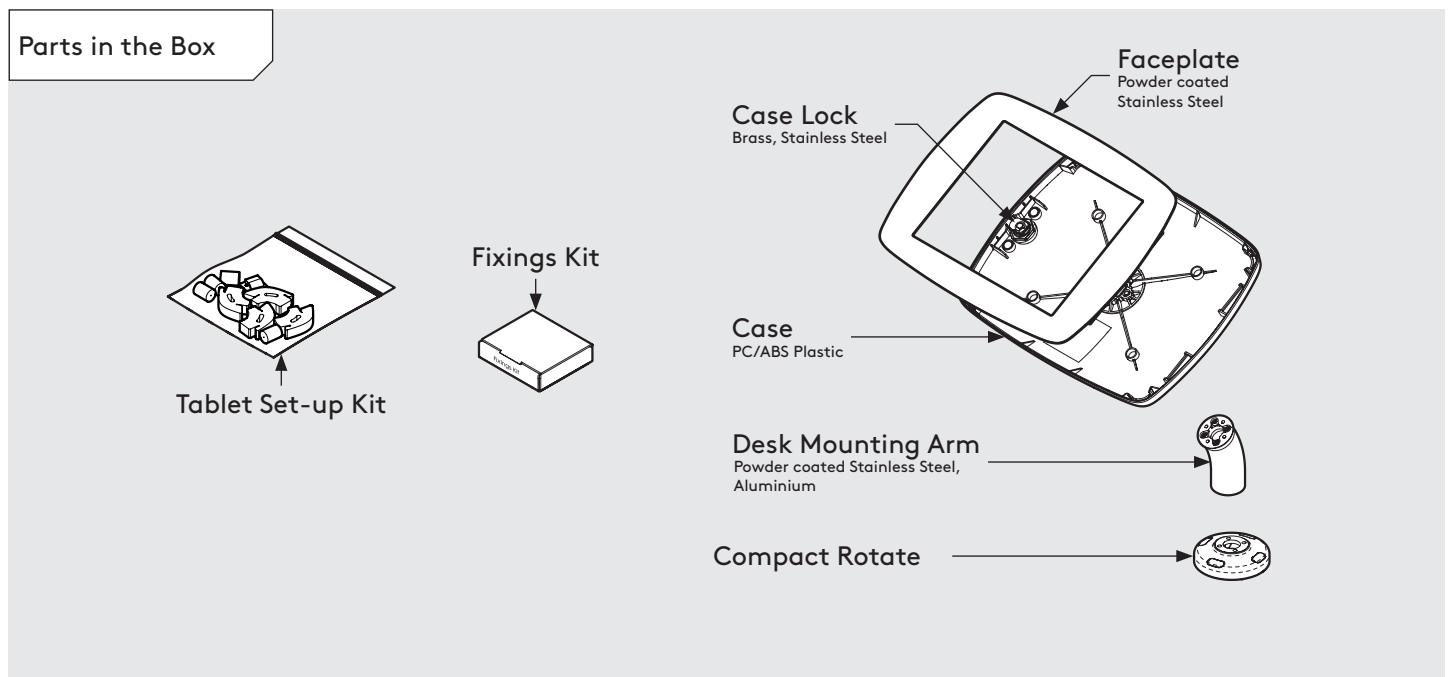
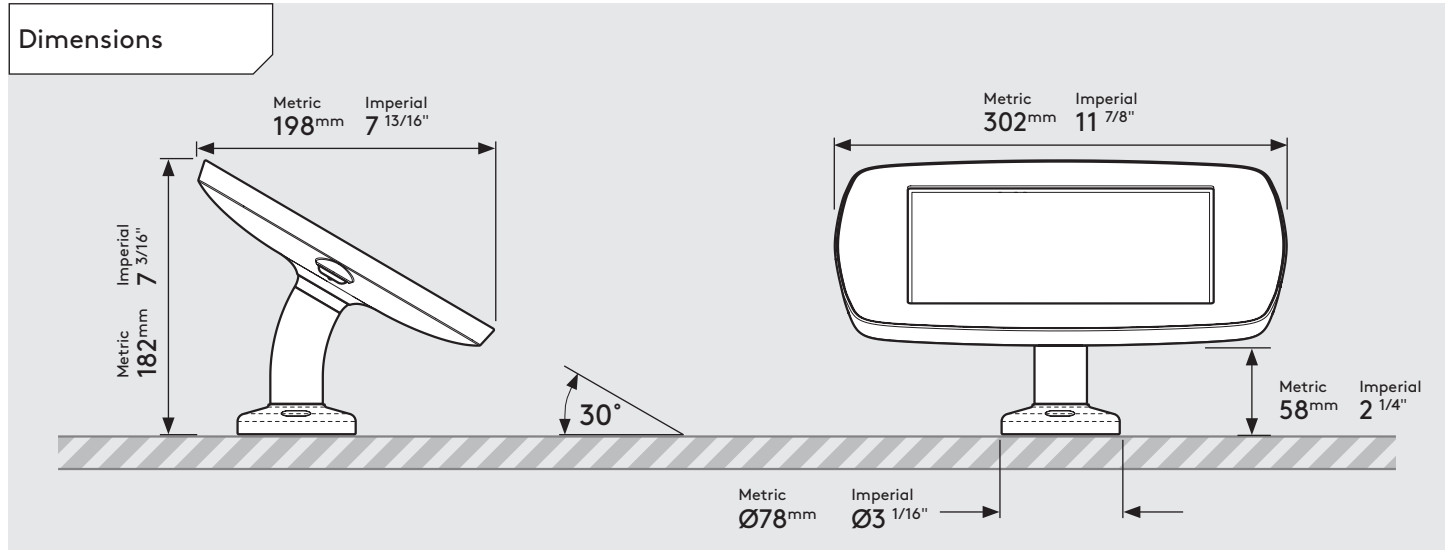
Case: Mini **Arm:** Desk **Mounting:** Freestanding Base **Packaged weight:** 3.6kg **Colour:** White
Black



PRODUCT DATA SHEET - SWIVEL DESK (MIDI CASE)

bouncepad[®]

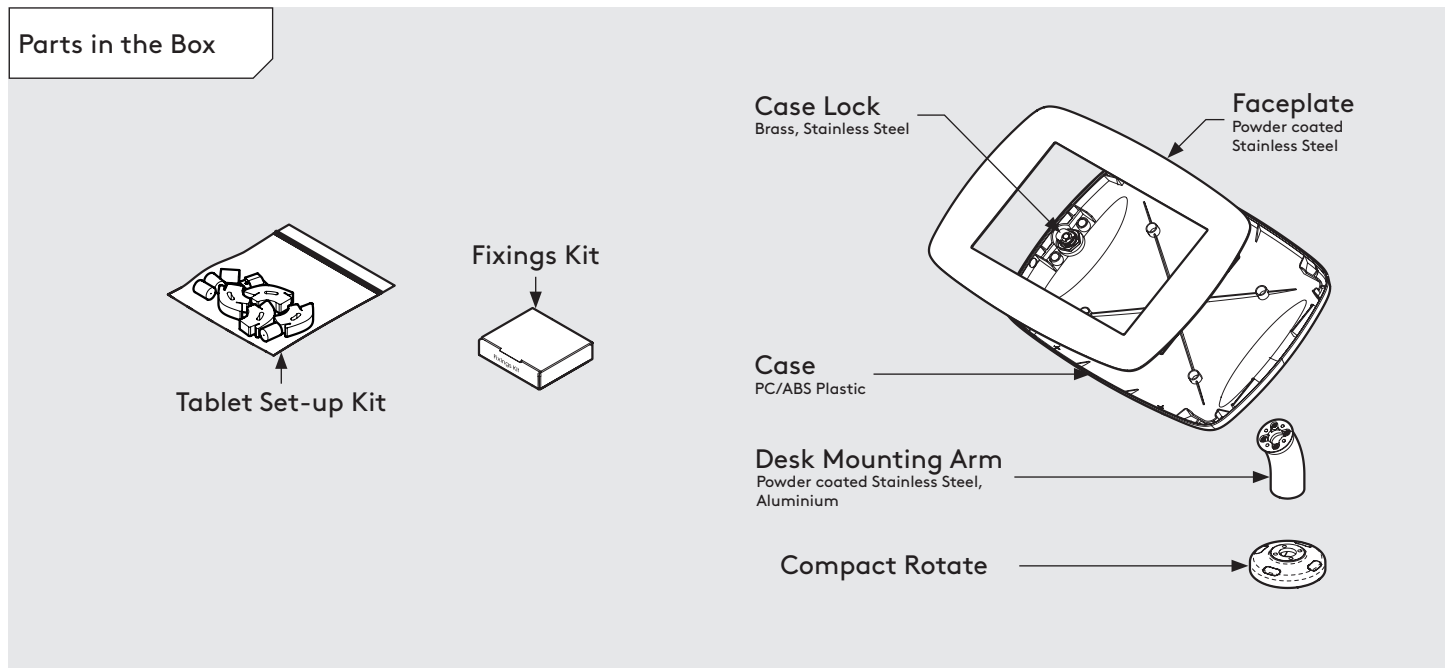
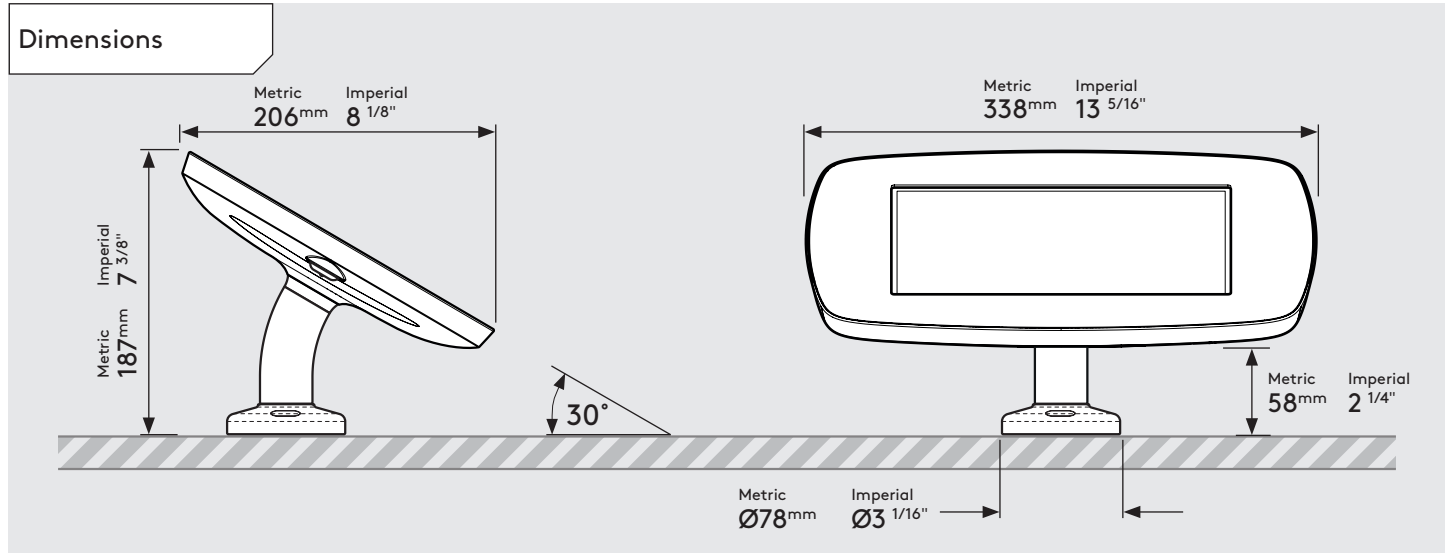
Case: Midi **Arm:** Desk **Mounting:** Freestanding Base **Packaged weight:** 3.8kg **Colour:** White
Black



PRODUCT DATA SHEET - SWIVEL DESK (MAXI CASE)

bouncepad[®]

Case: Maxi **Arm:** Desk **Mounting:** Freestanding Base **Packaged weight:** 4.0kg **Colour:** White
Black



PRODUCT DATA SHEET - SWIVEL DESK (MEGA CASE)

bouncepad®

Case: Mega **Arm:** Desk **Mounting:** Freestanding Base **Packaged weight:** 4.3kg **Colour:** White / Black

