

CADDY

Assembly Instructions

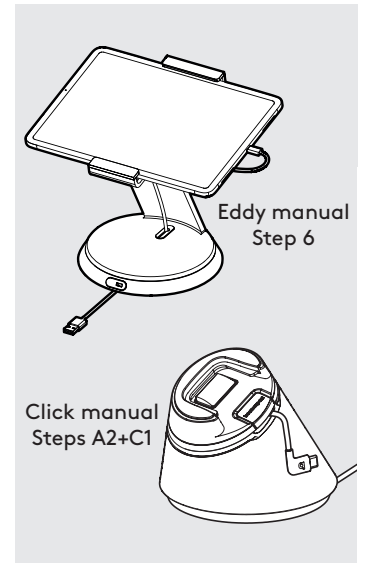
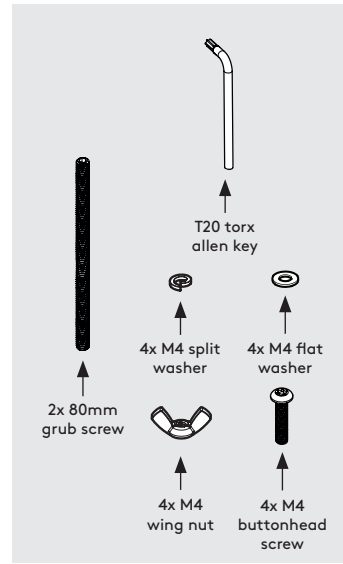
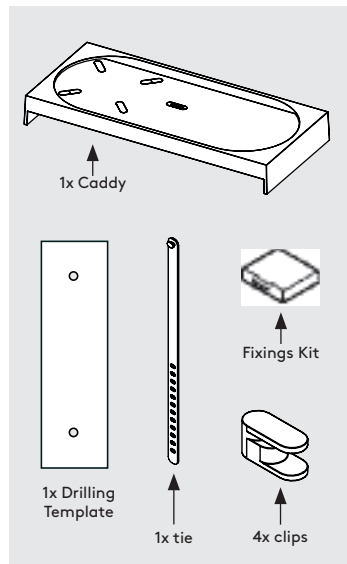
Unless specified, instructions are for both Eddy and Click stands.

Tools Required to Fix From Below:

- Drill
- 5mm Drill Bit
- Pencil

Sheet Code: BP-IM-070_REV2_Combined
Release Date: 18/05/2022

Copyright 2020 Spotspot Ltd. (T/A Bouncepad) all rights reserved. Confidential, no part of this publication may be reproduced or transmitted in any form without the written permission of the copyright holder.



In the Caddy Box

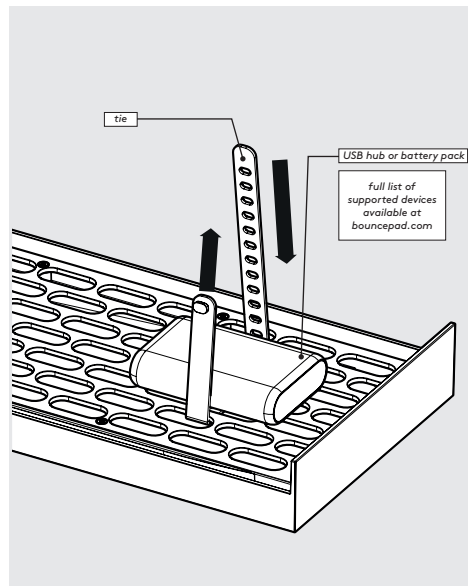


Fixings List

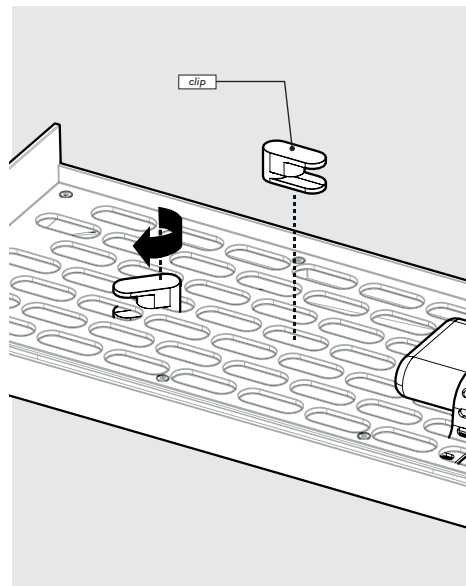
* Due to the modular nature of our product range you may receive additional fixings in the fixings kit



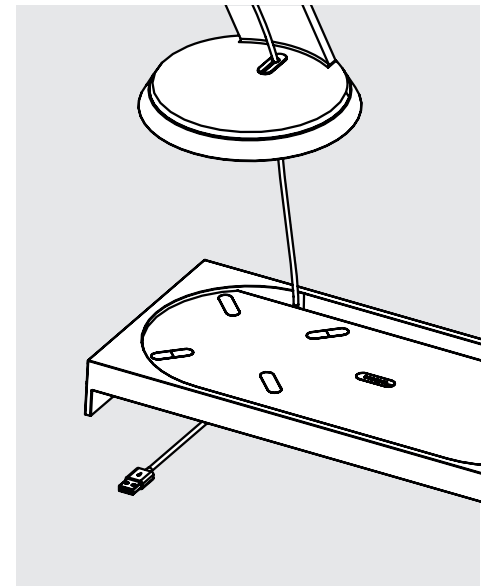
1 Complete separate Eddy or Click manuals until steps shown above.



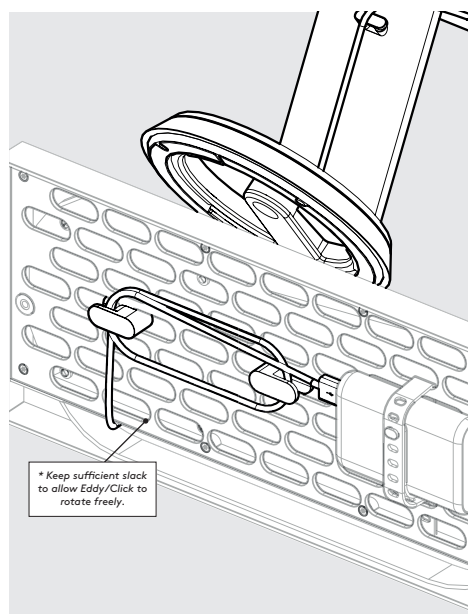
2 Insert the tie through the grill and then clasp over the device.



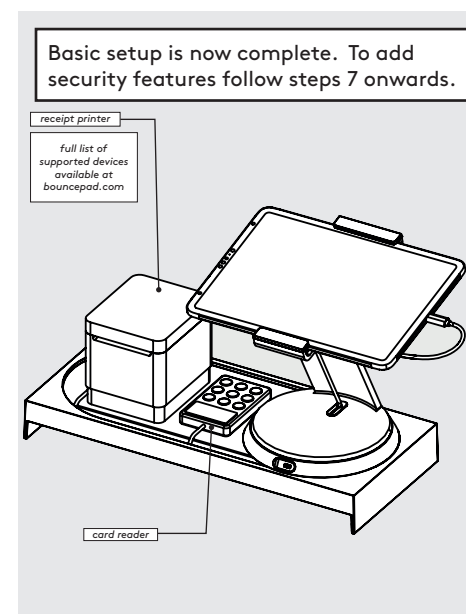
3 Insert the cable management clips into the grill, then twist to secure.



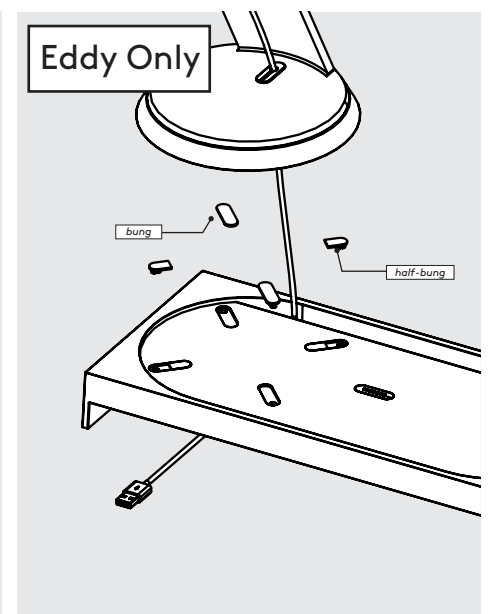
4 Feed your Eddy/Click charge cable through the channel.



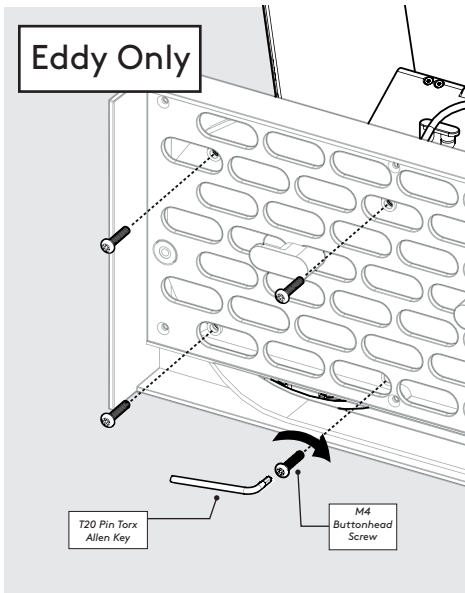
5 Wrap the charge cable around the clips and plug into the power source.



6 Additional devices are connected by repeating step 2.



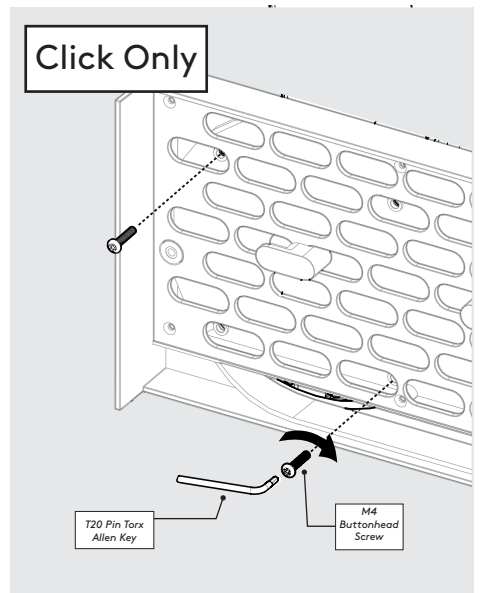
7 Lift up the Eddy Stand and remove bungs and OUTER half-bungs from Caddy.



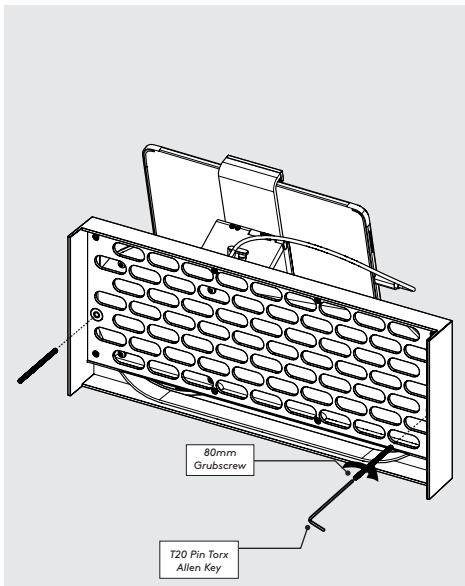
9 Attach 4x M4 buttonhead screws through the tray and into the stand.



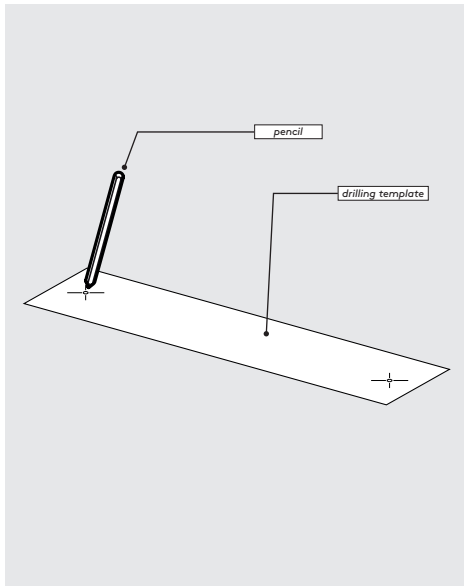
9 Lift up the Click Stand and remove the INNER half-bungs from Caddy.



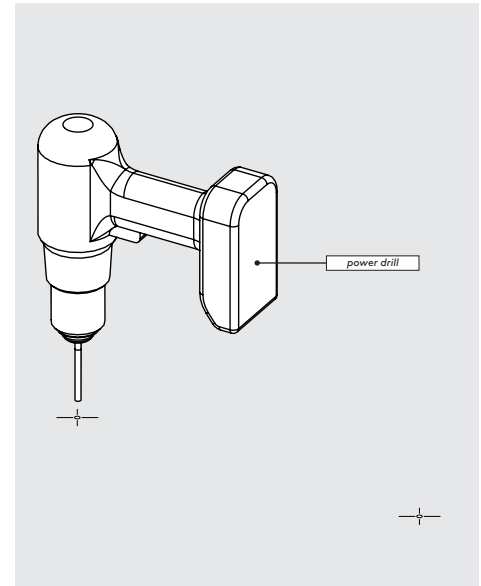
10 Attach 2x M4 buttonhead screws through the tray and into the stand.



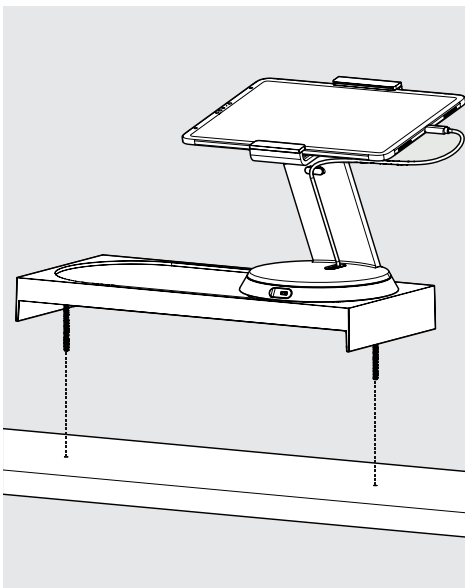
11 Screw M4 80mm grubscrews into Caddy until finger tight.



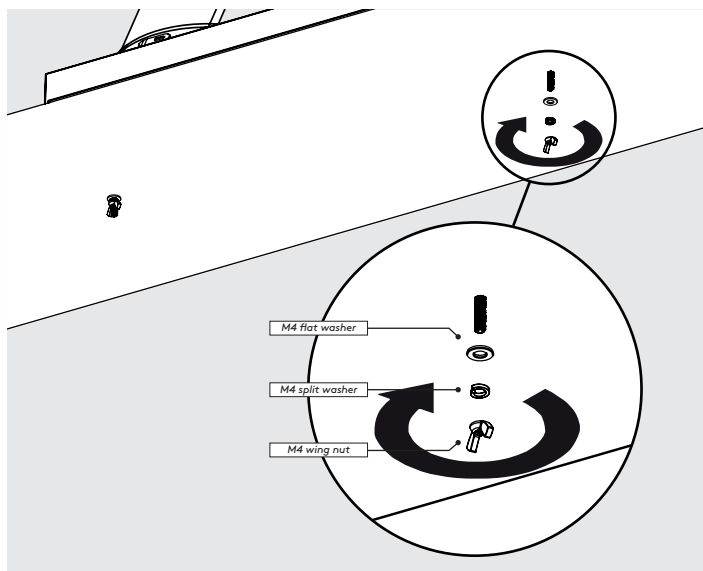
12 Place the drilling template over the surface and mark the holes with a pencil.



13 Use a hand drill with 5mm bit to make holes through your surface.



14 Insert the assembled product through the pilot holes.



15 Attach illustrated washers and tighten wingnuts by hand. Caddy is now securely attached to your surface.

Assembly Complete