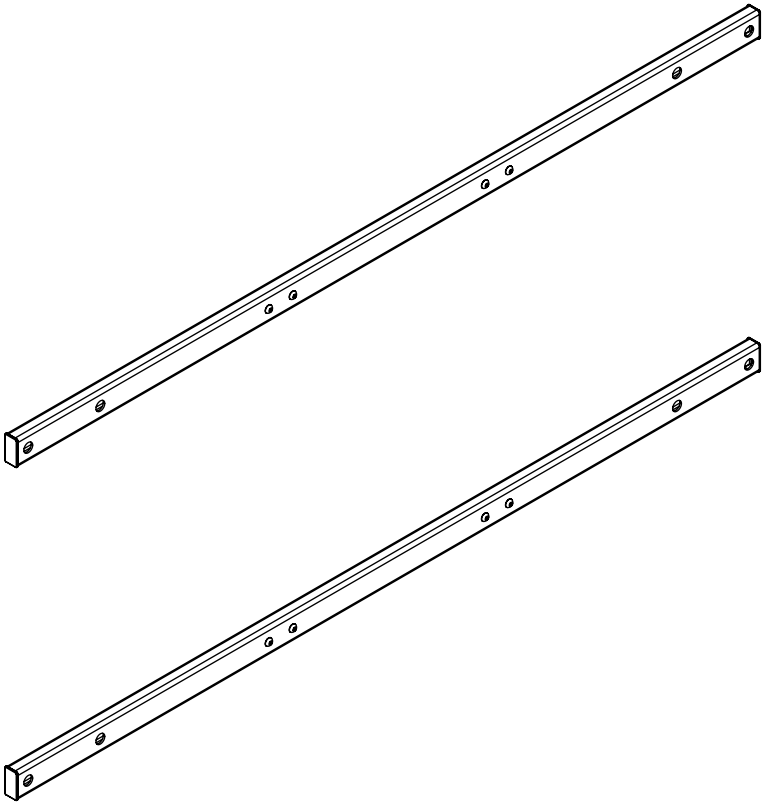
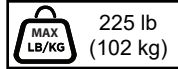


peerless-AV[®]

ACC-V1500X

For VESA 1200 and 1500 Mounting Patterns



⚠ WARNING

ENG - Before installing make sure the supporting surface will support the combined load of the equipment and hardware. Screws must be tightly secured. Do not overtighten screws or damage can occur and product may fail. Never exceed the Maximum Load Capacity. Always use an assistant or mechanical lifting equipment to safely lift and position equipment. This product is intended for indoor use only. Use of this product outdoors could lead to product failure or personal injury. Be careful not to pinch fingers when operating the mount. For support please call customer care at 1-800-865-2112.

ENG Symbols



ENG WARNING



ENG Skip to step.

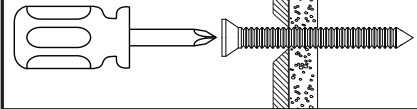


ENG Screws must get at least three full turns and fit snug.

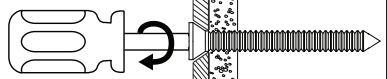


ENG To properly tighten screws: Tighten until screw head makes contact, then tighten another 1/2 turn. Do not overtighten screws.

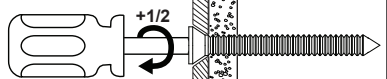
1



2



3



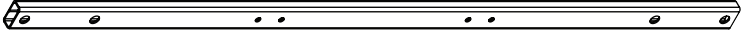
4



ENG Parts (Before beginning, make sure you have all parts shown below).

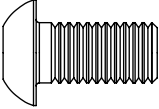
Parts List		
Description	Qty	Part #
A adaptor rail	2	10009122RBLK
B M8 x 15mm	4	520-1068
C 4mm allen wrench	1	560-9646
D M8 x 20mm	4	520-1120
E tube cap	4	590-1334

A (2)
adaptor rail



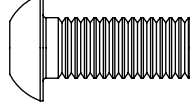
B (4)

M8 x 15mm



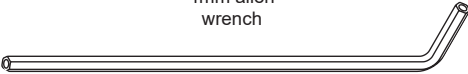
D (4)

M8 x 20mm



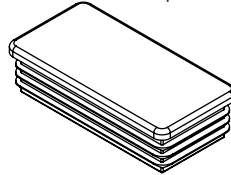
C (1)

4mm allen wrench

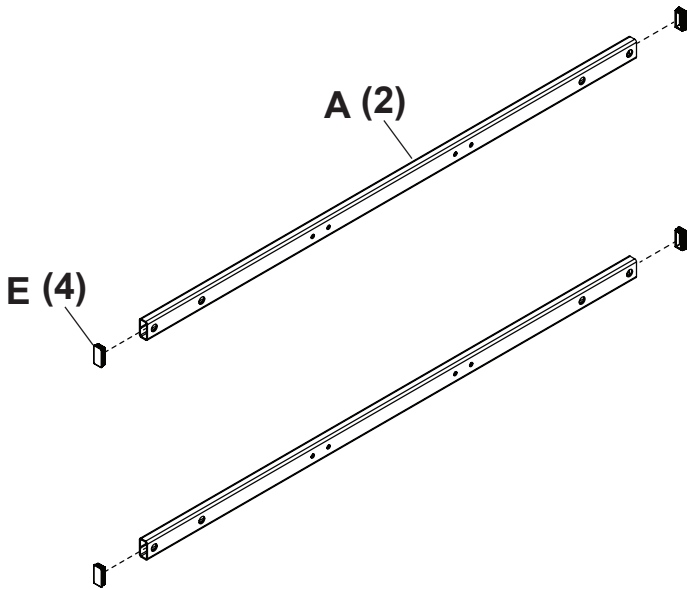


E (4)

tube cap



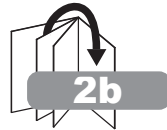
1



2

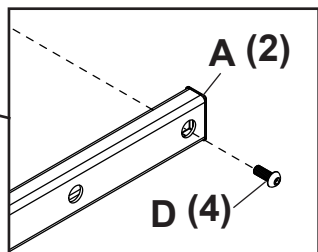
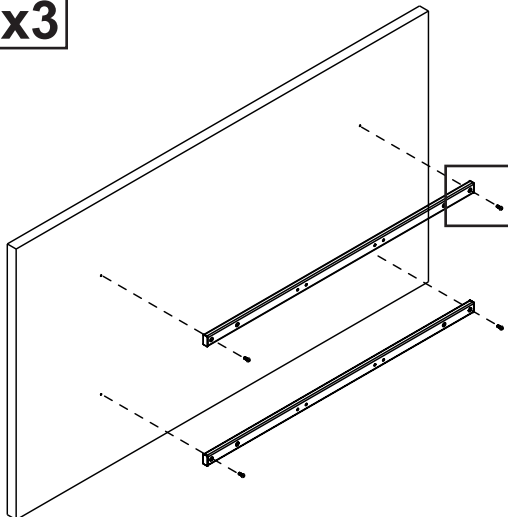
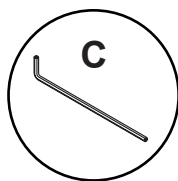


VESA 1500mm

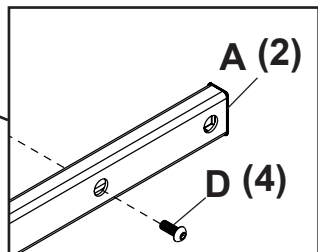
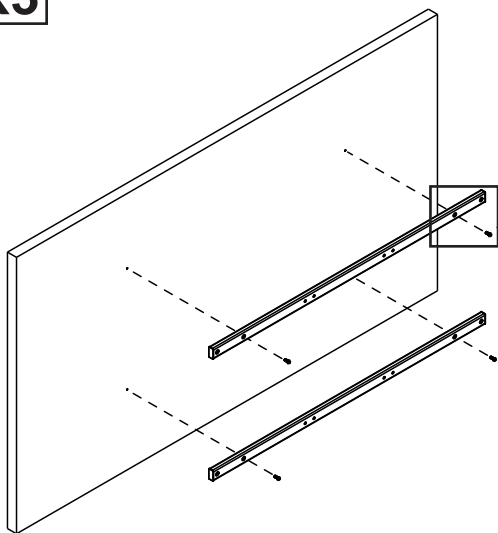
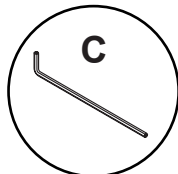


VESA 1200mm

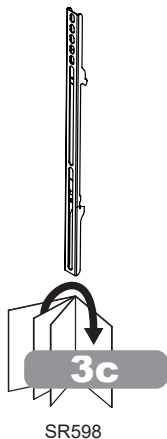
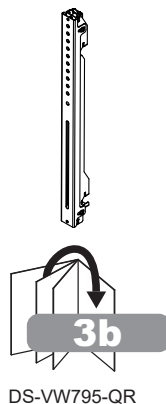
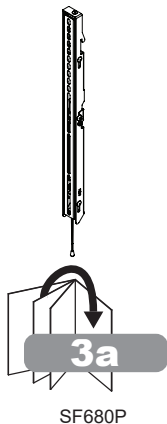
2a



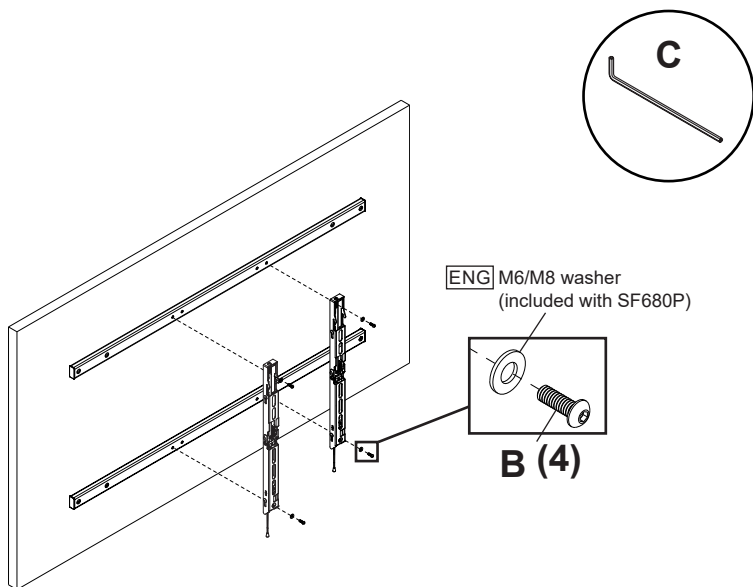
2b



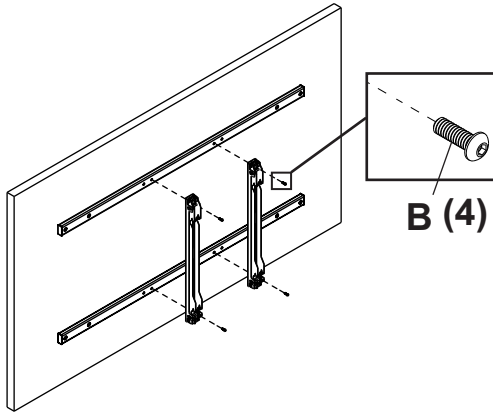
3



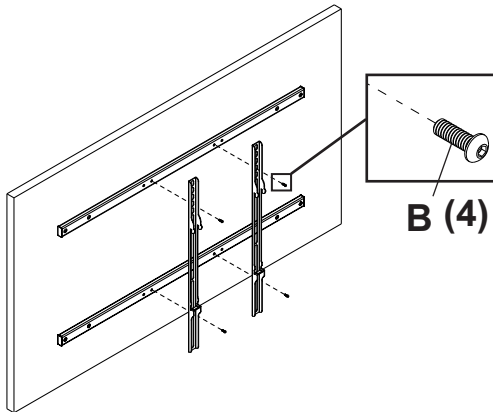
3a



3b



3c



ENG Warranty
ITL Garanzia

ESP Garantía
ČES Záruka

FRN Garantie
SLK Záruka

DEU Garantie
POR Garantia

NEL Garantie
TÜR Garanti

www.peerless-av.com/warranty

peerless-AV[®]

Peerless-AV

2300 White Oak Circle
Aurora, IL 60502
Email: tech@peerlessmounts.com
Ph: (800) 865-2112
Fax: (800) 359-6500
www.peerless-av.com

Peerless-AV Europe

Unit 2, Curo Park
Frogmore, St Albans,
Hertfordshire, AL2 2DD
Customer Care
+44 (0) 1923 200 100
www.peerless-av.com

Peerless-AV América Latina

Av. de las Industrias 413
Parque Industrial Escobedo
General Escobedo N.L., México 66062
Servicio al Cliente
01-800-849-65-77
www.peerless-av.com