

# TEC-X 2000

## Wall Control Panel

### Installation & Operation Guide



## FEATURES

- Customizable LCD touchscreen
- Customizable LED light bar
- PoE powered
- Daisy-chain up to four devices
- Ambient light sensor (automatically adjusts LCD and LED)
- CE marked, UL listed and RoHS compliant

## SETUP AND USE

The Tesira software provides an intuitive interface for setup and programming of the TEC-X 2000. The information supplied by this manual relates to physical connections and device setup. For more details on software setup, including programming the functions of the touchscreen, please consult the [Tesira Help File](#).

The TEC-X 2000 Wall Control Panel is designed to be mounted directly to a 4" X 2" electrical junction box per room design requirements (each remote requires its own box). An optional tabletop mount is also available. Up to 4 TEC-X 2000 panels may be installed in daisy-chain. Installation hardware is included. Detailed installation instructions are on the following pages.

Once installed in the appropriate location, all further set-up and configuration is done via Tesira software.

## IMPORTANT SAFETY / COMPLIANCE INFO

Install the TEC-X 2000 Wall Control Panel away from heat sources, such as vents, radiators and heat registers. Also avoid installing near water or appliances that may produce steam or other forms of moisture. Do not exceed the maximum ambient operating temperature of 32°–95°F (0°–35°C).

## PRODUCT DESCRIPTION

The Biamp TEC-X 2000 Wall Control Panel is a wall-mounted control device used to manage certain functions of a Tesira system via a customizable touch panel. Button functions may be configured to control presets and a multitude of logic functions. The TEC-X 2000 is powered by PoE and is easily mounted to a variety of electrical junction boxes. An optional tabletop mount is also available.

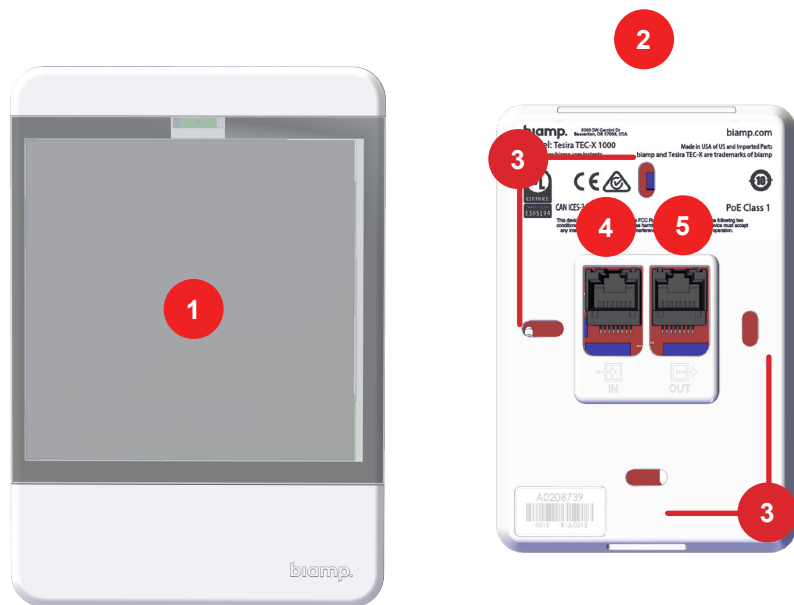


Figure 1. Front and Back of TEC-X 2000 Wall Control Panel

### TEC-X 2000 Wall Control Panel

1. Capacitive-Touch LCD Display
2. LED Light Bar
3. Mounting Holes (4 Places)
4. Ethernet In (From Control Network)
5. Ethernet Out (Daisy Chain to TEC-X Devices)

## INSTALLATION

The TEC-X 2000 is designed to be installed into a standard 'gang' box outlet and may be daisy-chained up to four additional TEC-X devices.

**NOTE:** All Ethernet cabling should be connected prior to installation.

### Mount the TEC-X 2000 to a junction back box outlet as follows:

The TEC-X 2000 comes 'partially' assembled with a pull tab installed over the lower clip. This allows easier separation of the face and back plates to prevent damage.

1. See Figure 2. Pull down and out on the front panel to separate it from the back plate and remove the pull tab.

**NOTE:** Do not snap the face plate onto the back plate until all finish work is done to the wall surfaces and the Ethernet cables have been connected.

## INSTALLATION (CONTINUED)

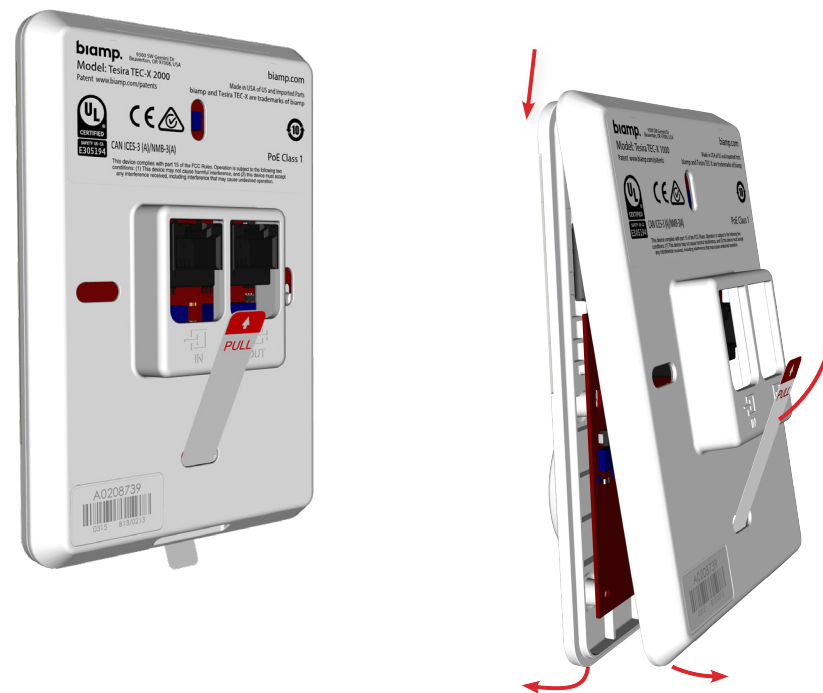


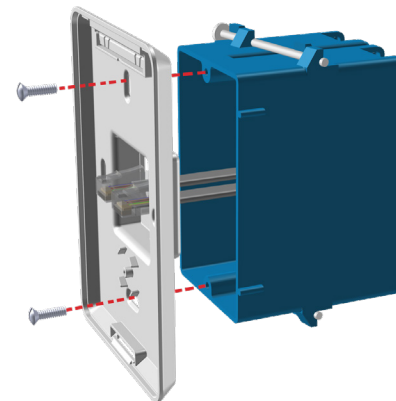
Figure 2. Separate front panel from back plate

2. See Figure 3. Insert the control Ethernet cable through the port labeled "IN".
3. Insert the downstream Ethernet cable through the port labeled "OUT" as required.



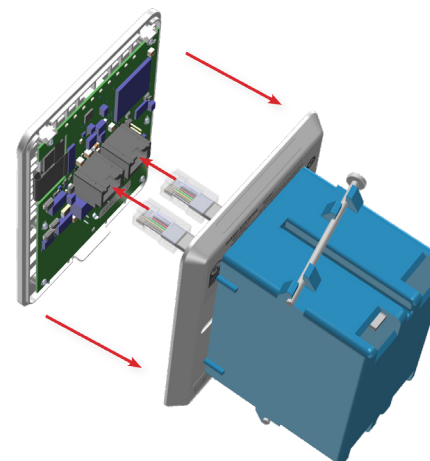
**Figure 3.** Insert Ethernet Cables

4. See Figure 4. Install screws through the back plate into the gang-box.



**Figure 4.** Back Plate Installation

5. See Figure 5. Insert the Ethernet cables into the appropriate ports on the front panel.



**Figure 5.** Connect Ethernet Cables

## INSTALLATION (CONTINUED)

6. Carefully clip the face plate into place over the installed back plate:
  - a. See Figure 6. Align the upper clips into the two receptacles at the top of the back plate.
  - b. Snap the lower clip into the receptacle on the back plate.
7. Up to four TEC-X 1000 or TEC-X 2000 devices may be daisy-chained together in any combination (four devices total). The maximum distance allowed between devices in a daisy chain is 100 meters (maximum of 400 meters overall).

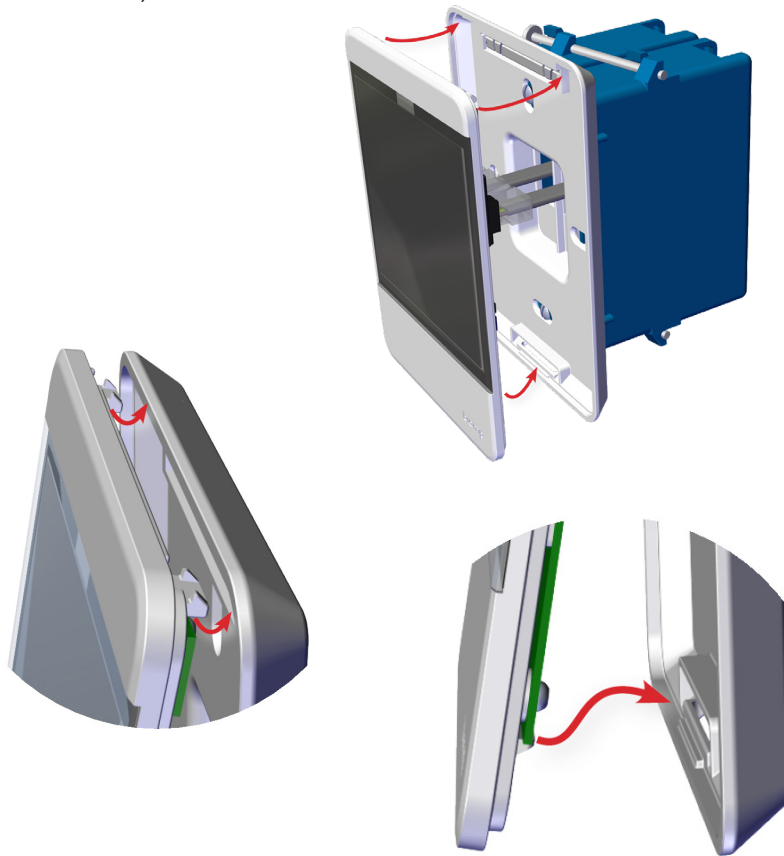


Figure 6. Clip Installation

## TABLE-MOUNT INSTALLATION (OPTIONAL)

The table-mount may only be used with the last device of a daisy chain. For face plate removal see [Maintenance](#).

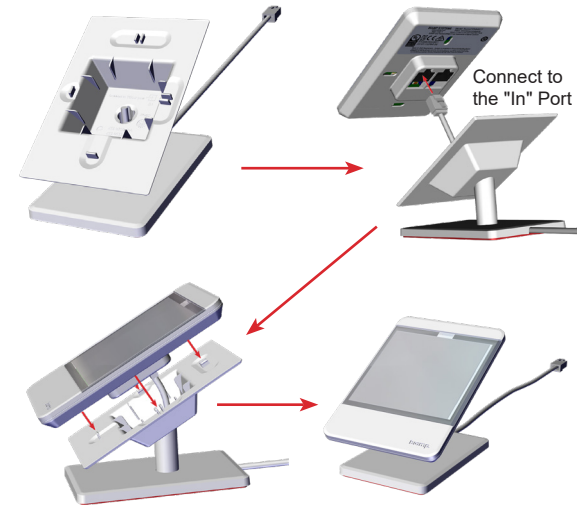


Figure 7. Table Mount Installation

## WIRING

The TEC-X 2000 must be connected to a Tesira Server-Class device (such as a TesiraFORTÉ). Up to 4 TEC-X 2000 devices may be connected in daisy-chain. TEC-X 2000 may be included in such a daisy-chain, as long as only 4 TEC-X devices are connected. Figure 9 gives a basic layout with a TesiraFORTE and four TEC-X 2000 wall control devices.

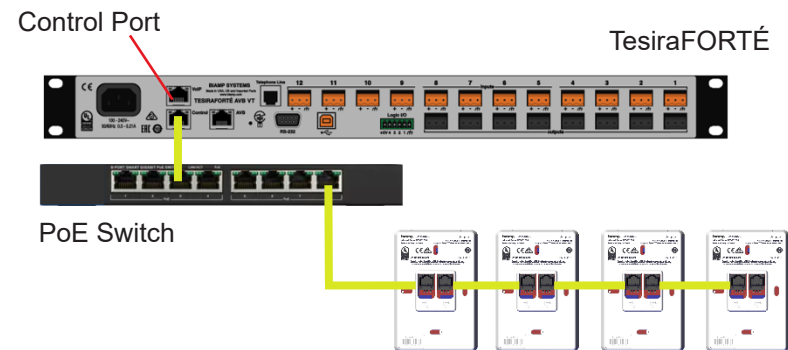


Figure 9. Basic Network Layout




## OPERATION

Operation of the TEC-X 2000 varies depending on how the device is configured in Tesira. The following section gives basic information on touchscreen navigation.

- Once all connections are made and devices powered on, the TEC-X 2000 can be configured to initiate a variety actions and presets as configured in Tesira, such as:
  - Lock/Unlock a remote
  - Select audio source
  - Adjust audio levels
  - Recall presets
  - Mute signal
  - Combine/Divide rooms (Room Combiner)
  - Send commands to a 3rd party device
- Upon initial startup after configuration in Tesira software, the TEC-X will display a splash-screen and information about the device (firmware version, MAC address, etc.). Once initialized, the control functions will be available.

**NOTE:** Tesira programmers have the option to lock the device so that a PIN code will be required to access functions.

- The buttons may be configured in the Tesira software. The interface may be customized to match the physical device.
- The Tesira software allows for multiple pages each with unique icons, text, button color, etc. Figures 8 and 9 show examples of color and layout.
- Buttons will highlight when selected.

- The display also gives the following information:
  - A padlock icon to indicate the device is locked and requires a pin to access functions. 
  - Device is in Locate Mode 
  - Faults is displayed with text indicating the fault 
- The screen will auto-dim and sleep (go blank) after a period of time determined in Tesira SW.

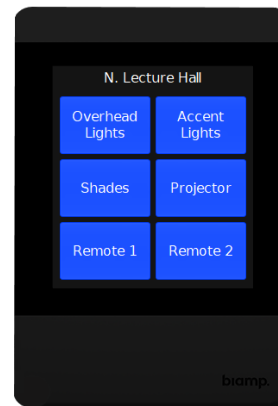


Figure 8. 6-Button Layout

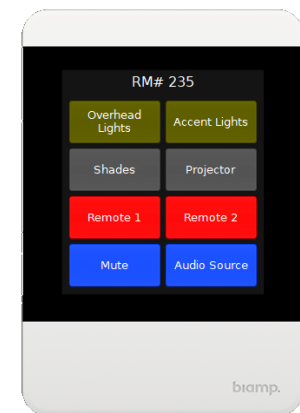


Figure 9. 8-Button Layout

## MAINTENANCE



**Important:** Do not snap the face plate onto the back plate until all finish work is done to the wall surfaces and the Ethernet cables have been connected. The face plate can be removed by inserting a flat screwdriver into the slot at the bottom of the back plate, carefully depressing the tab and pulling the face plate out and down. The tab is stiff and care should be taken to not damage the plastic.

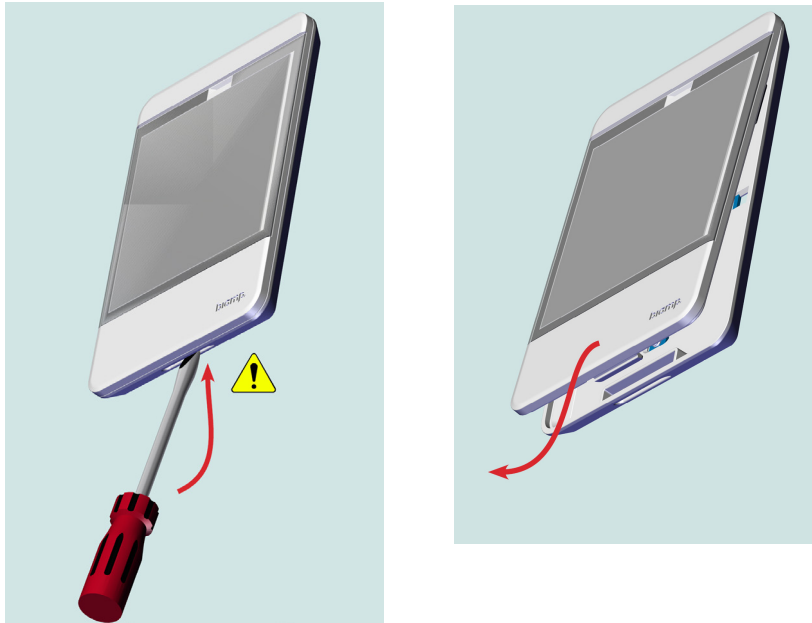


Figure 10. Remove Face Plate

# biamp.™

## CONTACT US

Email

[support@biamp.com](mailto:support@biamp.com)

Web

[support.biamp.com](http://support.biamp.com)

Safety and Compliance

[www.biamp.com/compliance](http://www.biamp.com/compliance)

Warranty

[www.biamp.com/legal/warranty-information](http://www.biamp.com/legal/warranty-information)

**Note:** Every effort has been made to ensure that the information contained in this manual was complete and accurate at the time of printing. However, due to ongoing technical advances, changes or modifications may have occurred that are not covered in this manual. The latest version is available at [www.biamp.com](http://www.biamp.com).

biamp.

A: 9300 S.W. Gemini Drive Beaverton, OR 97008 USA

W: [www.biamp.com](http://www.biamp.com)

DEC 2022