

## CL25-540BL1

## NEOMOUNTS PROJECTOR CEILING MOUNT

### SPECIFICATIONS

#### GENERAL

|             |                    |
|-------------|--------------------|
| Min. weight | 0 kg (per screen)  |
| Max. weight | 35 kg (per screen) |

#### FUNCTIONALITY

|                   |              |
|-------------------|--------------|
| Height adjustment | 60,5-90,5 cm |
| Tilt (degrees)    | +20°, -20°   |
| Swivel (degrees)  | +8°, -8°     |
| Rotate (degrees)  | +180°, -180° |
| Height            | 90,5 cm      |
| Width             | 47 cm        |
| Depth             | 47 cm        |
| Adjustment type   | Manual       |

#### INFORMATION

|               |               |
|---------------|---------------|
| Color         | Black         |
| Main material | Steel         |
| Warranty      | 5 year        |
| EAN code      | 8717371449131 |

\*Please note: The inch sizes stated are just an indication, combined with the weight and VESA sizes. The maximum weight and VESA size are absolute restrictions for the products and should not be exceeded.



Neomounts



Neomounts

### Neomounts CL25-540BL1 universal projector ceiling mount, height adjustable (60,5-90,5 cm) - Black

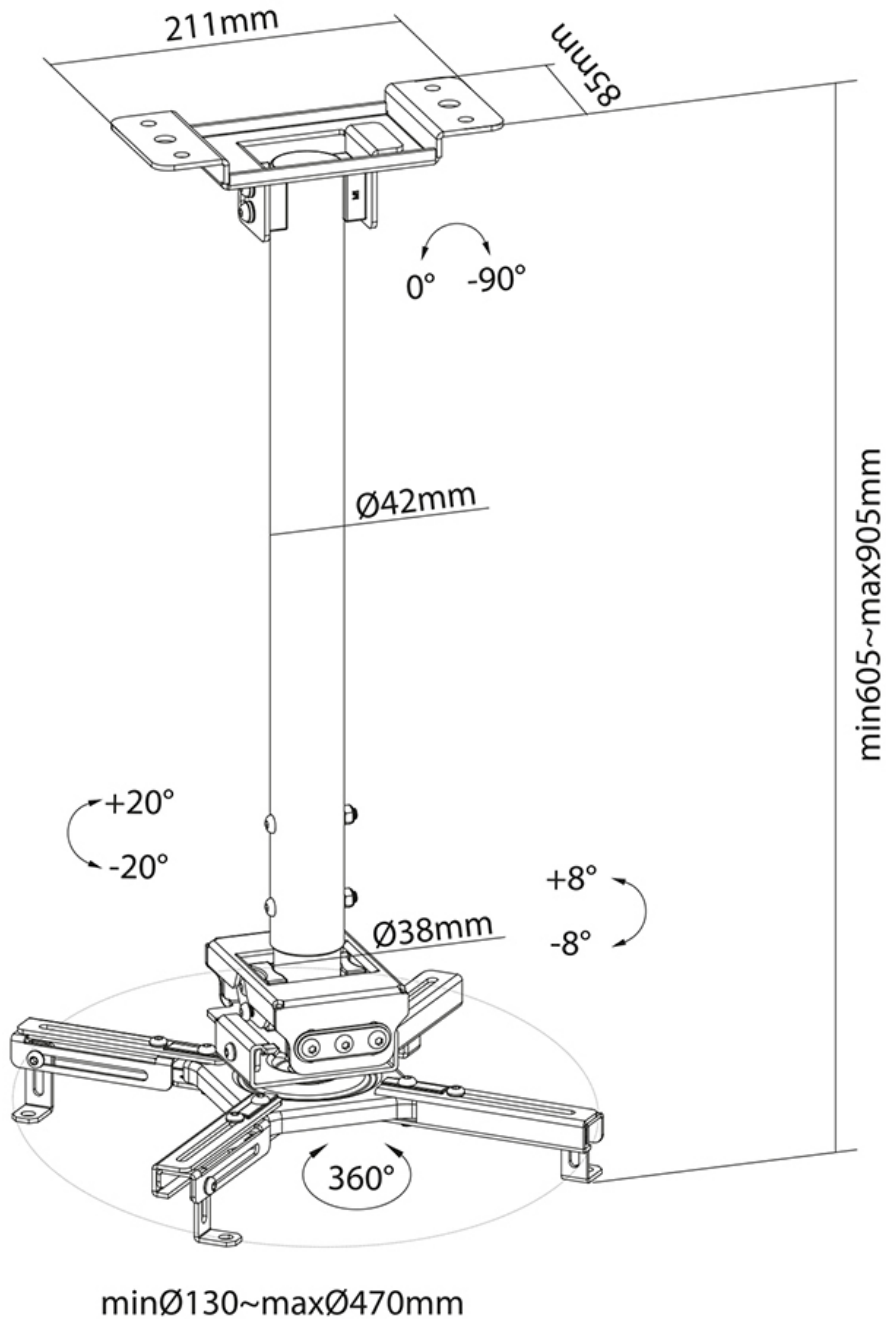
The Neomounts CL25-540BL1 is a universal projector ceiling mount. Because of the high weight capacity up to 35 kg and the various adjustment options, this projector ceiling mount is widely applicable. The CL25-540BL1 has four extendable arms and the versatile tilt (+20°, -20°), rotate (360°) and swivel (+8°, -8°) technology, provides optimal placement of the projection on any canvas, screen or wall. The support is also adjustable in height from 60,5 to 90,5 cm.

The Neomounts CL25-540BL1 is equipped with an Easy-release system, which highly eases installation; (de)installation of the projector to the projector mount can be done in an instant and by only one person. In addition, the round pole allows easy installation to a suspended ceiling. Finally, the pole of the Neomounts projector mount can be tilted on the ceiling side, so that installation against a sloped ceiling is effortless. The fixation of the mount itself is sturdy and firm, therefore vibration free.

The cable management system of the CL25-540BL1 ensures the cables are neatly concealed, because they are routed through the pole of the projector ceiling mount.

CL25-540BL1

## NEOMOUNTS PROJECTOR CEILING MOUNT



Neomounts