

# UC-M70-U

## Crestron Flex Tabletop Large Room Video Conference System



- *Tabletop audio and video conferencing solution for any UC platform*
- *Simple, intuitive touch screen UX provides a consistent user experience in every room*
- *Present, call, conference, and collaborate using your own UC conference software (BYOD)*
- *Complete kit contains the Crestron Flex tabletop conferencing device, AI collaboration camera, mic pod, cables, and power supply*
- *Easy to specify and install – no custom design, programming, or software installation required*
- *Premium-level support with Crestron Flex Care (optional)*
- *Network management and provisioning and system alerts through the XiO Cloud® service*
- *Enterprise-grade security - connects and communicates securely over any enterprise or SMB network*

The Crestron Flex UC-M70-U provides a complete conferencing and collaboration solution for open-platform UC applications. It supports a single video display and features the Crestron Flex tabletop conferencing device (CCS-UC-1-AV), AI collaboration camera (UC-CAM-L1), mic pod (CCS-UCA-MIC), cables, and power supply.

### Intuitive User Interface with Impressive Audio

The Crestron Flex Tabletop Conference device (CCS-UC-1-AV) provides a superior conferencing and collaboration experience with its large 7 in. HD display, integrated 360° quad microphone array, and an AEC-enabled USB speakerphone that supports full-duplex wideband audio performance.

### High-Definition Video Conferencing

The included AI collaboration camera ([UC-CAM-L1](#)) features a wide-angle 103° diagonal field of view to capture an entire conference room in Full HD 1080p video resolution. High precision aspherical optics, 20.30 MP CMOS sensor, and advanced video processing ensure a clear video image free from light or noise artifacts. Genius Framing digital autozoom intelligently detects the people in the room and frames them for an optimal view.

### Voice Calling & Audio Conferencing

The CCS-UC-1-AV is a full-featured VoIP conferencing speakerphone that's fully compatible with major SIP-compliant phone systems. Its advanced design provides highly intelligible, full-duplex communication for every participant around a conference table. Dialing and answering calls is easy and intuitive using the large HD color touch screen. Corporate directory access (LDAP) enables one-touch dialing from the customer's centrally managed directory.

The CCS-UC-1-AV can pair with a mobile phone using Bluetooth® connectivity to make or join phone calls, or to use as a speaker and/or microphone for an application running on a smartphone. When used for calls, controls for the Bluetooth enabled phone appear on the touch screen, enabling instant connectivity with the press of a button.

The CCS-UC-1-AV functions like any USB Audio class device, allowing you to connect a laptop computer via USB to improve audio performance for any softphone, multimedia, or audio conferencing application running on the laptop.

### BYOD Multimedia Presentation

Connect a display device to the CCS-UC-1-AV's HDMI® output port to enable high-definition video presentation from all types of BYOD sources.

Connect an AV source to the HDMI input port to present full-motion HD video content on the room display. Sources with DisplayPort™ or USB Type-C® outputs can also be connected using an optional Crestron video cable system ([CBL-MULTI-6](#) or [CBL-MULTI-12](#), sold separately).

Use the built-in AirMedia® technology for wireless presentation of content from a laptop, smartphone, or tablet device via the room's Wi-Fi® wireless network.

Visit [crestron.com/airmedia](https://crestron.com/airmedia) for more information.<sup>1</sup>

### Video conferencing & Web Collaboration

Videoconferencing is enabled by connecting a laptop running a web conferencing or UC application such as Microsoft Teams®, Skype® for Business, Cisco WebEx®, GotoMeeting®, Slack®, BlueJeans, or Zoom Rooms™. All participants are provided with enhanced bidirectional audio along with a high-definition view of the whole room.

Connect the laptop's HDMI output to allow the whole room to view far-end content and camera images on the main room display. Laptops with DisplayPort or USB Type-C outputs can also be connected using an optional Crestron video cable system ([CBL-MULTI-6](#) or [CBL-MULTI-12](#), sold separately).

### Enterprise-Grade Security

Crestron Flex is an enterprise-grade solution that is ideally equipped for mass deployment throughout any sized corporate, university, medical, military, or government facility. Its advanced security features ensure privacy, reliability, and compliance with your organization's IT policies.

# UC-M70-U

## Crestron Flex Tabletop Large Room Video Conference System

### Easy Provisioning and Device Management

The XiO Cloud service<sup>2</sup> is an IoT cloud-based provisioning service that enables installers and IT managers to easily deploy and manage thousands of devices. The XiO Cloud service allows for system alerts, network management and provisioning.

Visit [www.crestron.com/xiocloud](http://www.crestron.com/xiocloud) for additional information.

### Premium-Level Support

Crestron Flex Care is an optional subscription service that automatically renews annually, providing 24/7 live remote technical support, an extended five year warranty on Crestron® branded hardware, expedited advance replacements, and a discounted rate for on-site support.

Visit [www.crestron.com/flexcare](http://www.crestron.com/flexcare) for detailed terms and conditions and additional information.

## Specifications

### Included Components

|                                    |   |
|------------------------------------|---|
| <a href="#">CCS-UC-1-AV</a>        | Crestron Flex tabletop conferencing device; <ul style="list-style-type: none"><li>Cable, CAT5e, RJ-45-to-RJ-45, 12 ft (3.66 m);</li><li>Cable management hardware</li></ul> |
| <a href="#">UC-CAM-L1</a>          | AI collaboration camera   |
| <a href="#">CCS-UCA-MIC</a>        | Extension microphone pod  |
| <a href="#">CBL-HD-THIN-HS-6</a>   | HDMI Cable, Thin, Type A Male-to-Male, 6 ft (1.8 m)   |
| <a href="#">CBL-HD-20</a>          | HDMI Interface Cable, 20 ft (6.1 m)   |
| <a href="#">CBL-USB-A-BMICRO-6</a> | USB Cable, USB Type A Male to Micro-B Male cable, 6 ft (1.8 m)  |
| <a href="#">CBL-USB-A-EXT-15</a>   | USB Extension Cable, USB Type A Male-to-Female, 15 ft (4.6 m)   |
| <a href="#">PW-2420RU</a>          | Universal power supply and power cord   |
| <a href="#">STIRP</a>              | IR Emitter Probe w/3.5 mm Mini Phone Plug   |

### Crestron Flex tabletop conferencing device

|                                      |   |
|--------------------------------------|---|
| <b>Touch Screen</b>                  | 7 in. (178 mm) diagonal capacitive multi-touch TFT active matrix color LCD, 1280 x 800 pixels |
| <b>Mic Mute Symbol and Light Bar</b> | (2) Capacitive buttons with bi-color LEDs, either button toggles between mute and unmute      |

|  |  |
|--|--|
| <b>AEC</b>   | Limes Audio TrueVoice® acoustic echo cancellation, automatic mic mixing, automatic gain control, and dynamic noise reduction, full-duplex IEEE 1329 Type 1 compliant   |
| <b>Speaker</b>   | Full range speaker;<br>Amplifier Power: 11 W;<br>95 dB SPL at 0.5 m maximum output;<br>Frequency Response: 90 Hz to 22 kHz   |
| <b>Microphones</b>   | 360° quad mic array;<br>Pickup Range (typical): 20 ft (6 m)  |
| <b>Extension Microphones</b>   | One extension microphone pod (CCS-UCA-MIC) included  |
| <b>Occupancy Sensor</b>  | 6 ft (1.83 m) PIR range in front of touch screen;  |
| <b>Ethernet</b>  | Dual-port 100 Mbps, enterprise grade security and management including IEEE 802.1X, Active Directory® authentication, LDAP, Kerberos, SSL, TLS, SSH, SFTP (SSH File Transfer Protocol), SRTP, digest access authentication, password login, HTTPS secure provisioning, XiO Cloud service, primary port is IEEE 802.3at Type 2 PoE+ compliant |
| <b>USB</b>   | USB 2.0 micro Type B device port, supports UAC for audio interface (cable included)  |
| <b>Power Options</b>   | PoE+: IEEE 802.3at Type 2, Class 4 (25.5 W) PoE+ Powered Device  |
| <b>NOTE:</b> If the additional mic pod (CCS-UCA-MIC) is used, PoE+ cannot be used to power the device. |  |
|  | 24 VDC: 24 VDC via external 100-240 VAC, 50/60 Hz power pack, model <a href="#">PW-2420RU</a>  |
| <b>Dimensions</b>  | Height: 4.11 in. (104 mm)<br>Width: 8.92 in. (227 mm)<br>Depth: 12.74 in. (324 mm)   |
| <b>Weight</b>  | 5.5 lb (2.5 kg)  |
| <b>Microphone Pod</b>  |  |
| <b>Model</b>   | CCS-UCA-MIC  |
| <b>Communications</b>  | A2B bus protocol, slave, synchronous data, multichannel I2S/TDM to I2S/TDM   |
| <b>Microphone</b>  | Triple mic array with (3) cardioid electret elements   |
| <b>Pickup Range</b>  | 20 ft (6 m) typical, 360°  |

# UC-M70-U

## Crestron Flex Tabletop Large Room Video Conference System

|                   |  |
|-------------------|--|
| <b>Mic Mute</b>   | (1) Capacitive button with bi-color LED, toggles between mute and unmute (affects all system mics) |
| <b>Connectors</b> | (2) RJ9 4P4C connector, female   |
| <b>Power</b>      | Powered via the CCS-UC-1-AV through the A2B bus  |
| <b>Dimensions</b> | Height: 0.97 in (25 mm)<br>Width: 3.81 in (97 mm)<br>Depth: 3.42 in (87 mm)                        |

### Camera

|                       |   |
|-----------------------|---|
| <b>Image Sensor</b>   | 20.30 Megapixels 1 in. CMOS Sensor  |
| <b>Lens</b>           | High precision, wide angle, aspherical glass lens   |
| <b>Field of View</b>  | 103° diagonal, 92° horizontal, 65° vertical   |
| <b>Aperture</b>       | f/2.9   |
| <b>Autozoom</b>       | Genius Framing automatic lossless digital zoom intelligently frames around people in the room |
| <b>Connectivity</b>   | USB 3.0 port (via USB to PoE Adapter)   |
| <b>Power</b>          | 5VDC power adapter  |
| <b>Resolution/FPS</b> | HD 1080p @ 30 fps   |
| <b>Dimensions</b>     | Height: 2.1 in. (53 mm)<br>Width: 4.8 in. (122 mm)<br>Depth: 3.5 in. (89 mm)                  |
| <b>Weight</b>         | 1.3 lb (0.6 kg)   |

### Model

UC-M70-U

### Available Accessories

For a list of available accessories, visit the [UC-M70-U](#) product page.

#### Notes:

1. AirMedia wireless presentation requires a wired network connection between the Crestron Mercury console and an external Wi-Fi wireless access point (not included). Laptops may alternately connect to AirMedia using a wired Ethernet connection. Full-motion video performance is dependent upon the performance of the network and the sending device. Computer client software and mobile device apps are available for download at <https://www.crestron.com/airmedia>.
2. The XiO Cloud service is a room based subscription service available separately.

This product may be purchased from select authorized Crestron dealers and distributors. To find a dealer or distributor, please contact the Crestron sales representative for your area. A list of sales representatives is available online at [www.crestron.com/How-To-Buy/Find-a-Representative](http://www.crestron.com/How-To-Buy/Find-a-Representative) or contact us for additional information by visiting <https://www.crestron.com/contact/our-locations> for your local contact.

This product is covered under the Crestron standard limited warranty. Refer to [www.crestron.com/warranty](http://www.crestron.com/warranty) for full details.

The specific patents that cover Crestron products are listed online at [patents.crestron.com](http://patents.crestron.com).

Certain Crestron products contain open source software. For specific information, please visit [www.crestron.com/opensource](http://www.crestron.com/opensource).

Crestron, the Crestron logo, Airmedia, and XiO Cloud are either trademarks or registered trademarks of Crestron Electronics, Inc. in the United States and/or other countries. Bluetooth is either a trademark or registered trademark of Bluetooth SIG, Inc. in the United States and/or other countries. Cisco Webex and IOS are either trademarks or registered trademarks of Cisco Technology, Inc. in the United States and/or other countries. GotoMeeting is either a trademark or registered trademark of Citrix Online, LLC in the United States and/or other countries. TrueVoice is either a trademark or registered trademark of Google Inc. in the United States and/or other countries. HDMI and the HDMI Logo are either trademarks or registered trademarks of HDMI Licensing LLC in the United States and/or other countries. Active Directory, Microsoft Teams, and Skype are either trademarks or registered trademarks of Microsoft Corporation in the United States and/or other countries. Slack is either a trademark or registered trademark of Slack Technologies, Inc. in the United States and/or other countries. USB Type-C is either a trademark or registered trademark of USB Implementers Forum, Inc. in the United States and/or other countries. DisplayPort is either a trademark or registered trademark of Video Electronics Standards Association in the United States and/or other countries. Wi-Fi is either a trademark or registered trademark of Wi-Fi Alliance in the United States and/or other countries. Zoom and Zoom Rooms are either trademarks or registered trademarks of Zoom Video Communications, Inc. in the United States and/or other countries. Other trademarks, registered trademarks, and trade names may be used in this document to refer to either the entities claiming the marks and names or their products. Crestron disclaims any proprietary interest in the marks and names of others. Crestron is not responsible for errors in typography or photography.

Specifications are subject to change without notice.

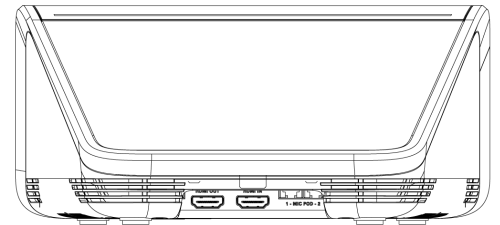
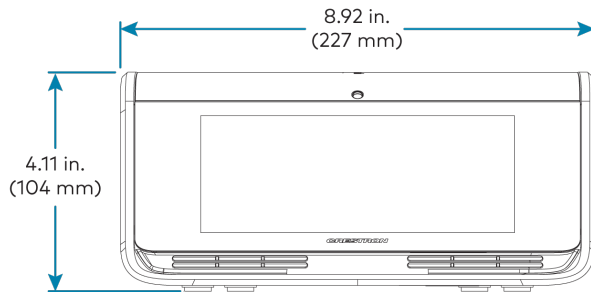
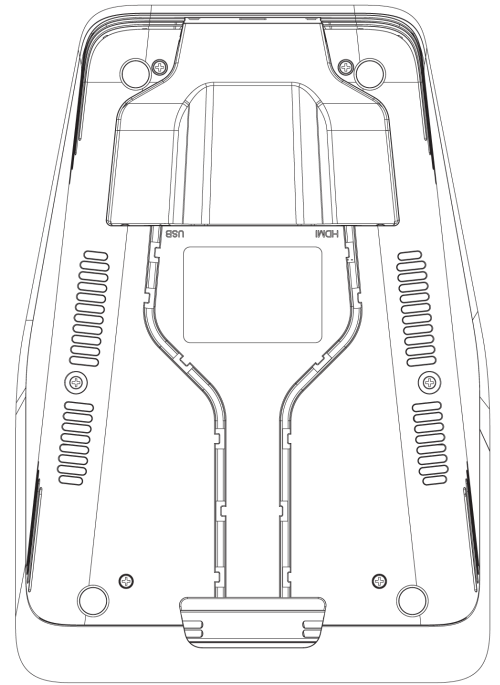
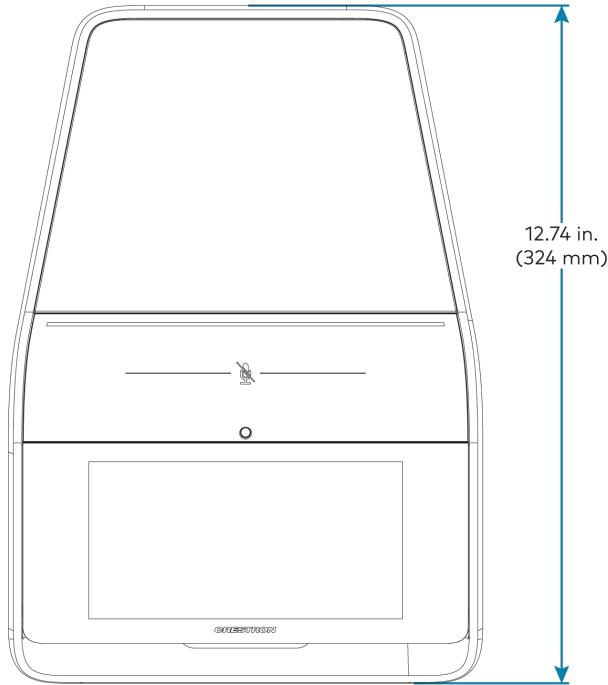
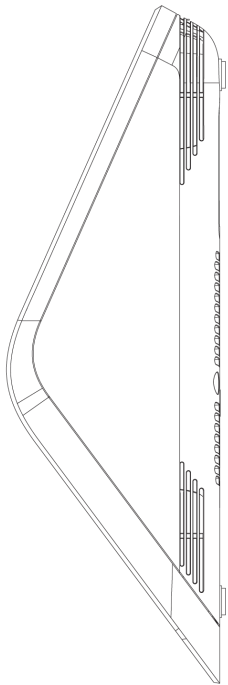
©2021 Crestron Electronics, Inc.

Rev 12/30/21

# UC-M70-U

## Crestron Flex Tabletop Large Room Video Conference System

CCS-UC-1-AV



# UC-M70-U

## Crestron Flex Tabletop Large Room Video Conference System

CCS-UCA-MIC

