

## Crestron Flex Video Conference System Integrator Kit with a Wall Mounted Control Interface for Microsoft Teams® Rooms

The UC-C100-T-WM and UC-C100-T-L-WM Crestron Flex integrator kits provide customizable video conference solutions for use with Microsoft Teams® Rooms software. They support single or dual video displays and feature a wall mount touch screen and a UC bracket assembly.

**The latest firmware must be loaded onto the touch screen prior to operation. Refer to the touch screen's [product page](#) (resources tab) to download the latest device firmware. The latest UC-C100-T-WM and UC-C100-T-L-WM firmware is installed using the auto update feature.**

### Minimum Requirements:

- A certified USB Camera
- A certified, AEC-enabled USB speakerphone or DSP device
- A video display (not included) connected to the UC Engine. A second display is optional.
- A Microsoft Teams or Skype® for Business account
- An environment running Microsoft Exchange Server® software (2013 SP1 or later for on-premises installation or Microsoft 365® software for Cloud) for scheduling and/or Skype for Business 2015 (on-premises installation or Microsoft 365 software for Cloud)



### In the Box

- 1 Wall Mount Touch Screen  
10.1 in. Wall Mount Touch Screen (6511975)  
Mounting hardware

### UC Bracket Assembly

- 1 UC Bracket Assembly with UC Engine and HDMI® content ingest (UC-BRKT-200-S-T-ASSY, 6511478 or UC-BRKT-200-S-T-L-ASSY, 6512030)
- 2 Anchor, Drywall, Plastic, 3/8 in. x 1/2 in. (9.5 mm x 12.7 mm) (2052565)
- 2 EDID passthrough (2055728)\*
- 1 Key, Anchor (4529654)
- 2 Screw, 8-AB x 1-1/2 in. (38.1 mm), Pan Head, Combo (2052567)
- 4 Tie Wrap (2047935)

### Additional Items

- 1 PoE injector (6502429)
- 1 Cable, CAT6a, RJ-45 - RJ-45, 20 ft (6.1 m) (6507640)
- 2 Cable, CAT5e, RJ-45 - RJ-45, 7 ft (2.1 m) (6509924)
- 1 Cable, DisplayPort™ to HDMI, 6 ft (1.8 m) (6508282)
- 1 Cable, HDMI, 20 ft (6.1 m) (6503567)
- 1 Cable, HDMI, 6 ft (1.8 m) (6503565)

\*EDID passthroughs are not included in the UC-C100-T-L-WM system.

## Crestron Flex Video Conference System Integrator Kit with a Wall Mounted Control Interface for Microsoft Teams® Rooms



### Mount Devices

#### Mount the UC Bracket Assembly

Mount the UC Bracket Assembly to VESA® compliant display devices, a wall, or other building structure. Anchors and screws are supplied for installation on walls 3/8 in. (9.5 mm) to 3/4 in. (19 mm) thickness.

**CAUTION:** Preinstalled screws may protrude from the back of the UC Bracket Assembly. Exercise caution when handling the UC Bracket Assembly to avoid scratching or damaging surfaces.

**NOTE:** The integrated cable tie wraps are reusable. Avoid damaging the cable tie wraps.

#### Mount the Touch Screen

Mount the included touch screen according to the [TSW-1070 Quick Start](#) (Doc. 8552).

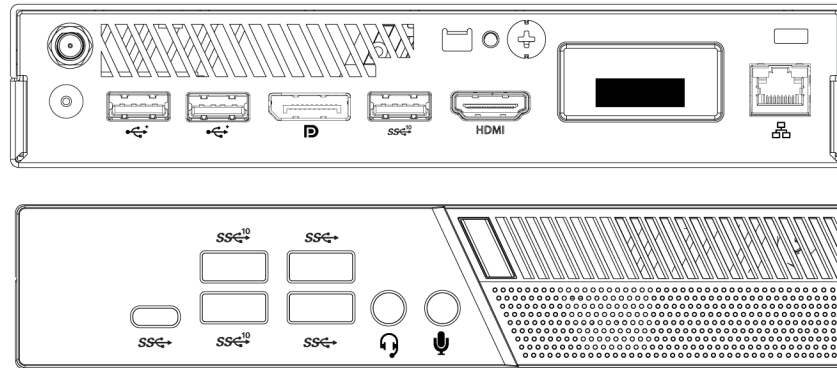
## Crestron Flex Video Conference System Integrator Kit with a Wall Mounted Control Interface for Microsoft Teams® Rooms



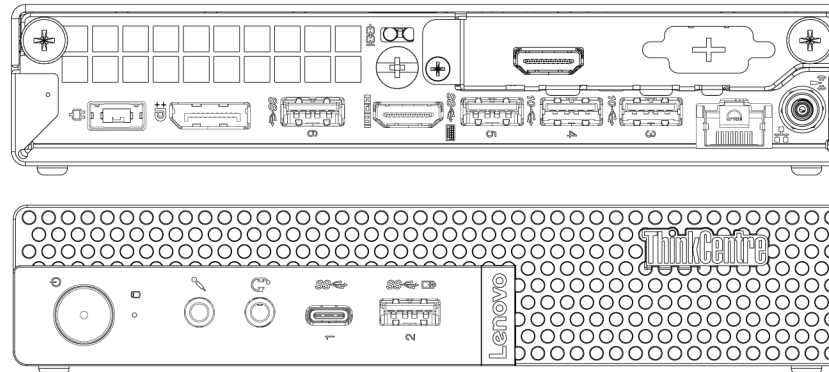
### Identify the UC Engine

The UC Engine is available in two models. Identify the model included with your Crestron Flex system. Tap or click the corresponding image below to navigate to the appropriate connection instructions.

#### ASUS® Mini PC (UC-C100-T-WM)



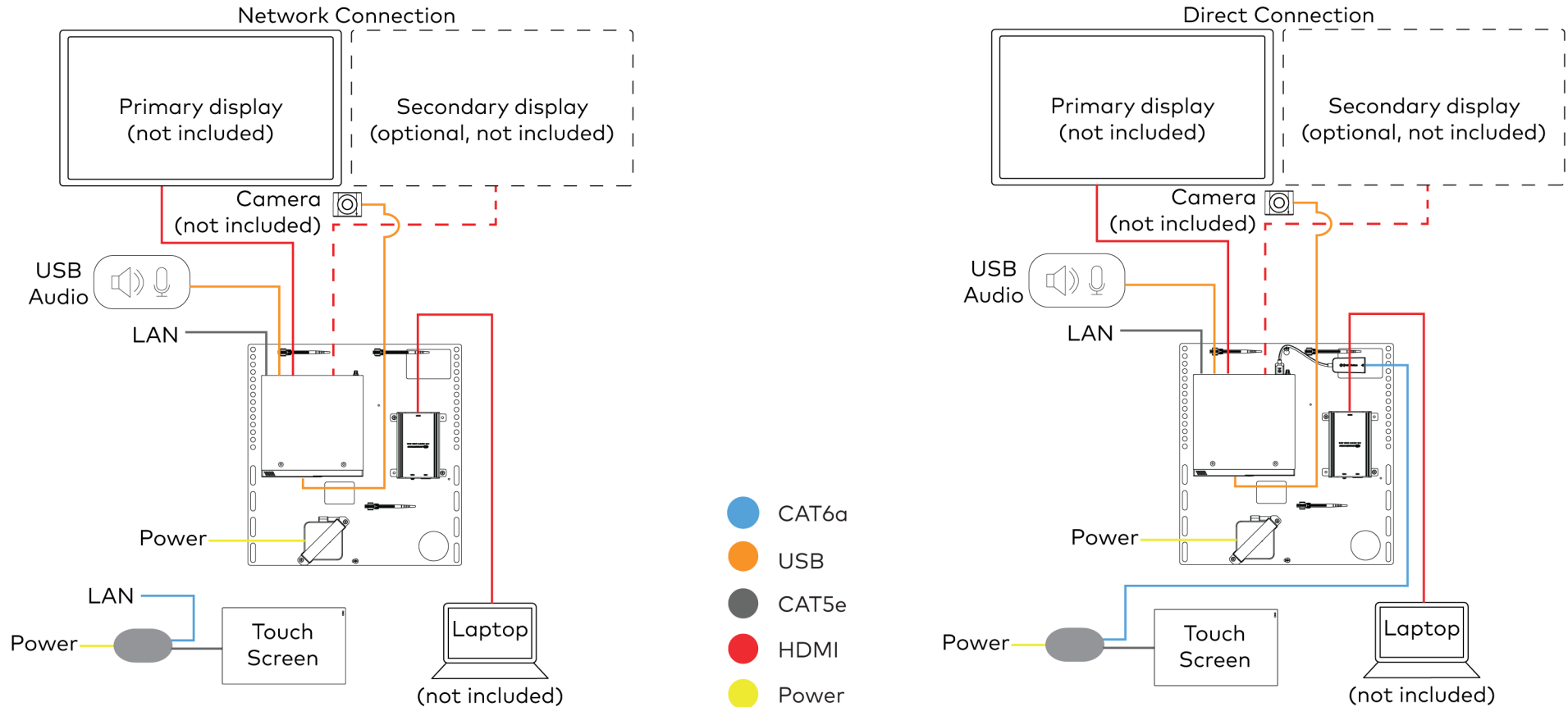
#### Lenovo® M920Q ThinkSmart™ Edition Tiny (UC-C100-T-L-WM)



## Crestron Flex Video Conference System Integrator Kit with a Wall Mounted Control Interface for Microsoft Teams® Rooms

### System Overview (UC-C100-T-WM)

When connections are complete, the system appears as shown below. Refer to [Make Connections \(UC-C100-T-WM\)](#) for detailed connection instructions.

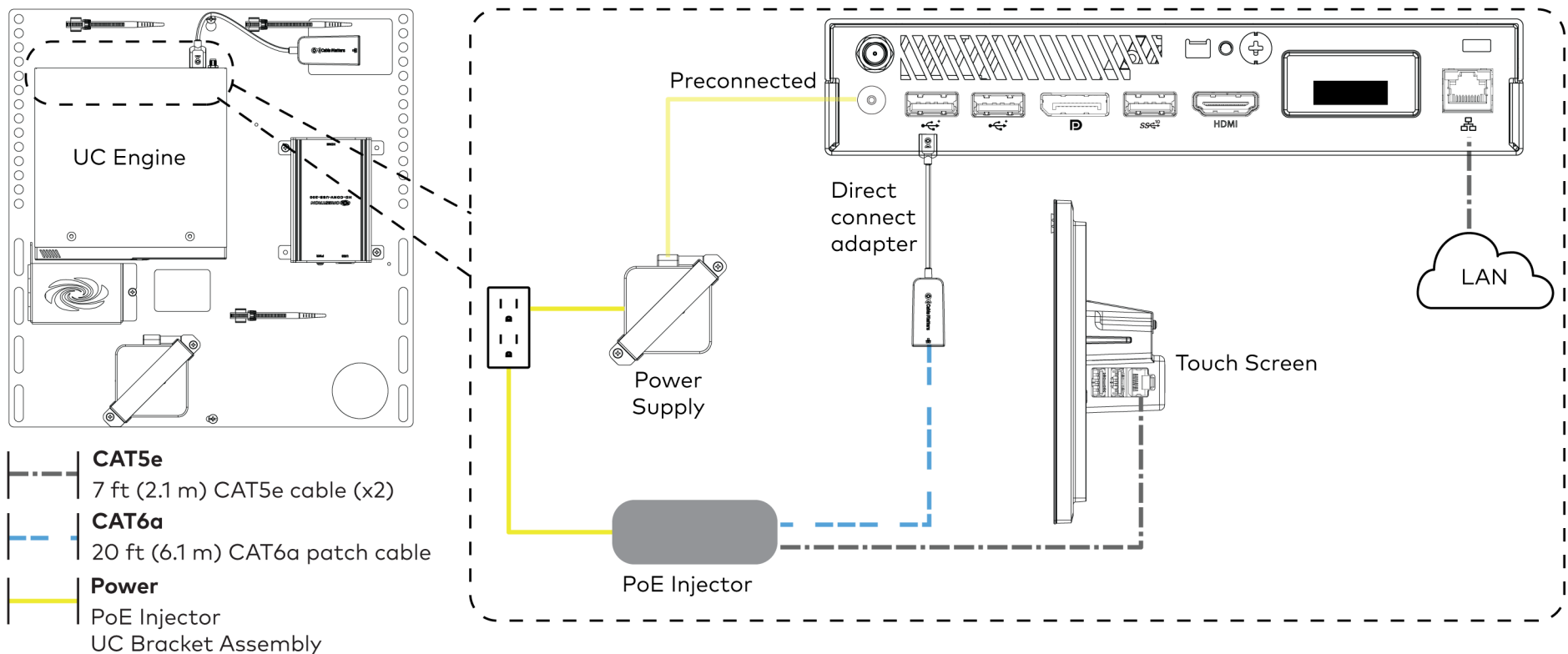


## Crestron Flex Video Conference System Integrator Kit with a Wall Mounted Control Interface for Microsoft Teams® Rooms

### Make Connections (UC-C100-T-WM)

1. Make UC Engine connections as shown in the following illustrations. The touch screen can communicate with the UC Engine over a direct connection or a network connection. Select one of the connection types as described below.
  - Make a direct connection for simple installation and setup. Only use the direct connect adapter to connect the touch screen's PoE injector to the UC Engine. Do not use the direct connect adapter to connect the UC Engine to the network.

#### Direct Connection

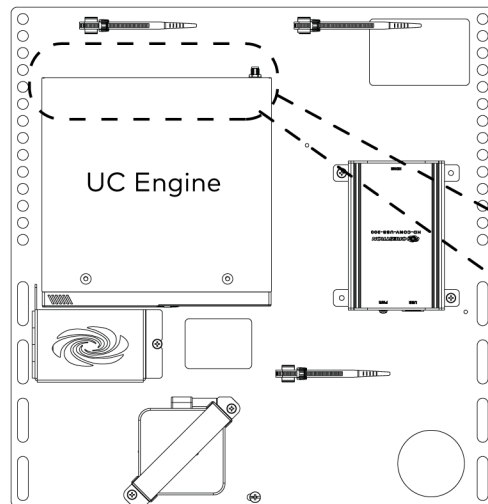


## Crestron Flex Video Conference System Integrator Kit with a Wall Mounted Control Interface for Microsoft Teams® Rooms

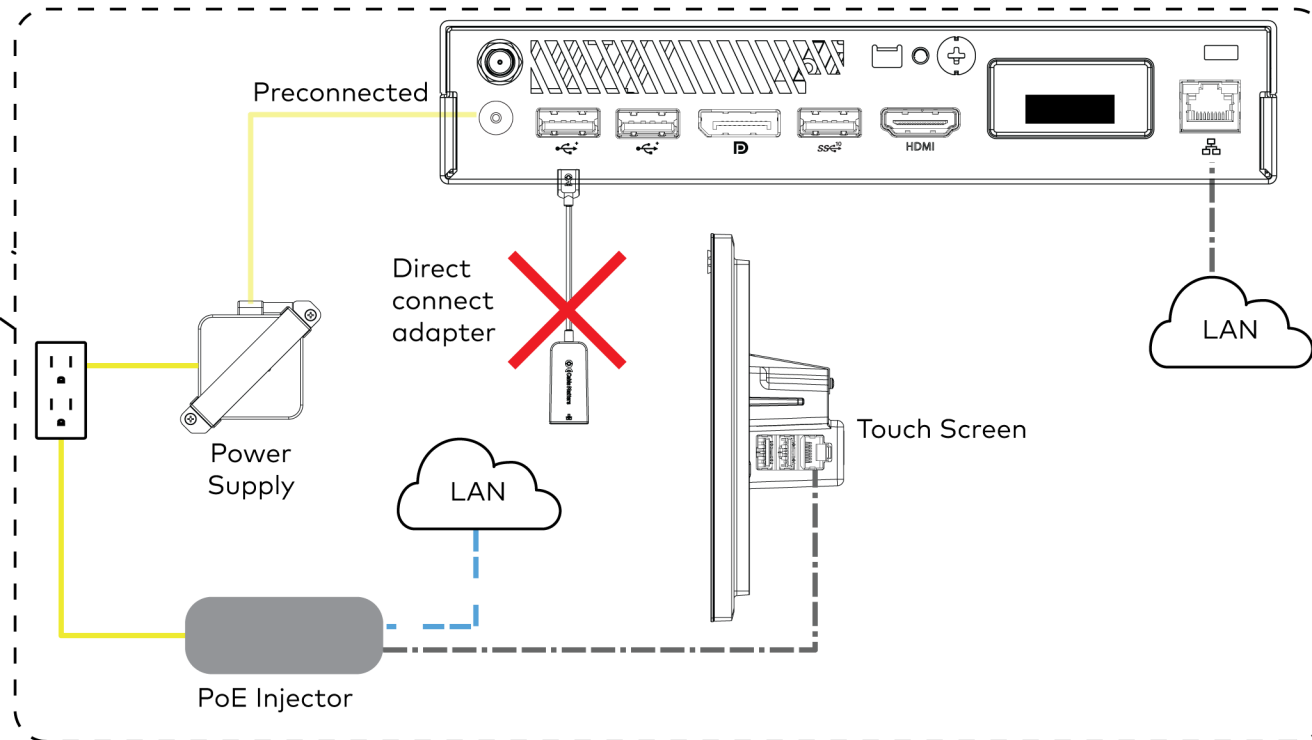
- Make a network connection if the system is to be managed by the XiO Cloud® service.

**NOTE:** When a network connection is used, disconnect the direct connect adapter from the UC Engine.

### Network Connection

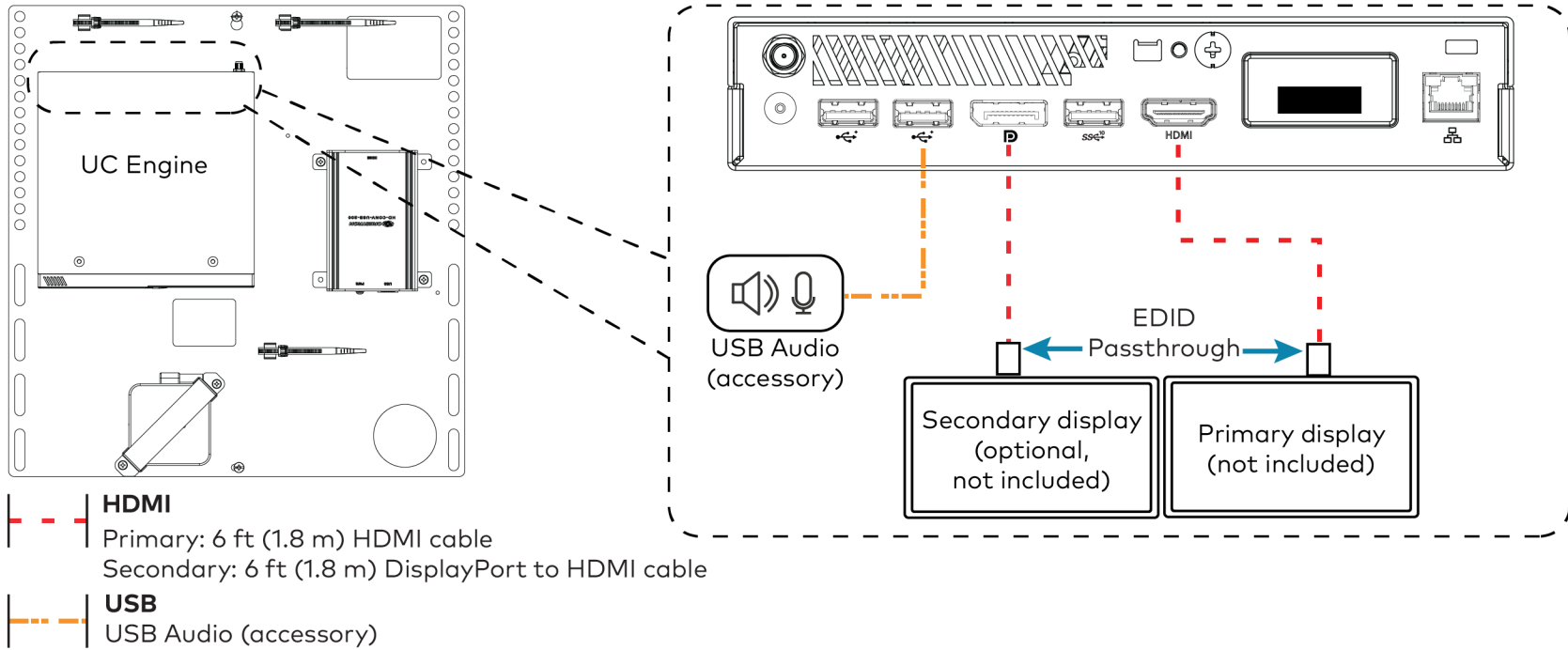


- CAT5e**  
7 ft (2.1 m) CAT5e cable (x2)
- CAT6a**  
20 ft (6.1 m) CAT6a patch cable
- Power**  
PoE Injector  
UC Bracket Assembly



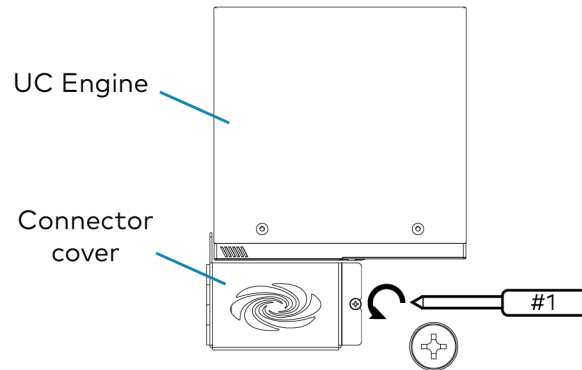
## Crestron Flex Video Conference System Integrator Kit with a Wall Mounted Control Interface for Microsoft Teams® Rooms

2. Connect a USB audio source (accessory) and displays to the UC Engine. Connect the EDID passthroughs to the displays.

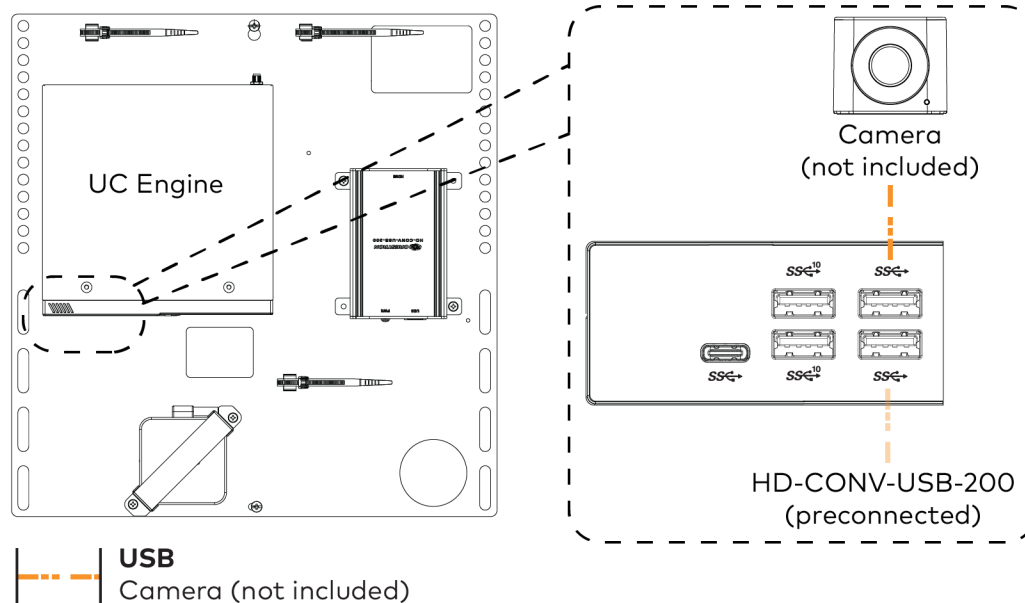


## Crestron Flex Video Conference System Integrator Kit with a Wall Mounted Control Interface for Microsoft Teams® Rooms

3. Remove the screw from the connector cover (located below the UC Engine) using a Philips #1 screwdriver (not included). Open the connector cover and retain the screw.



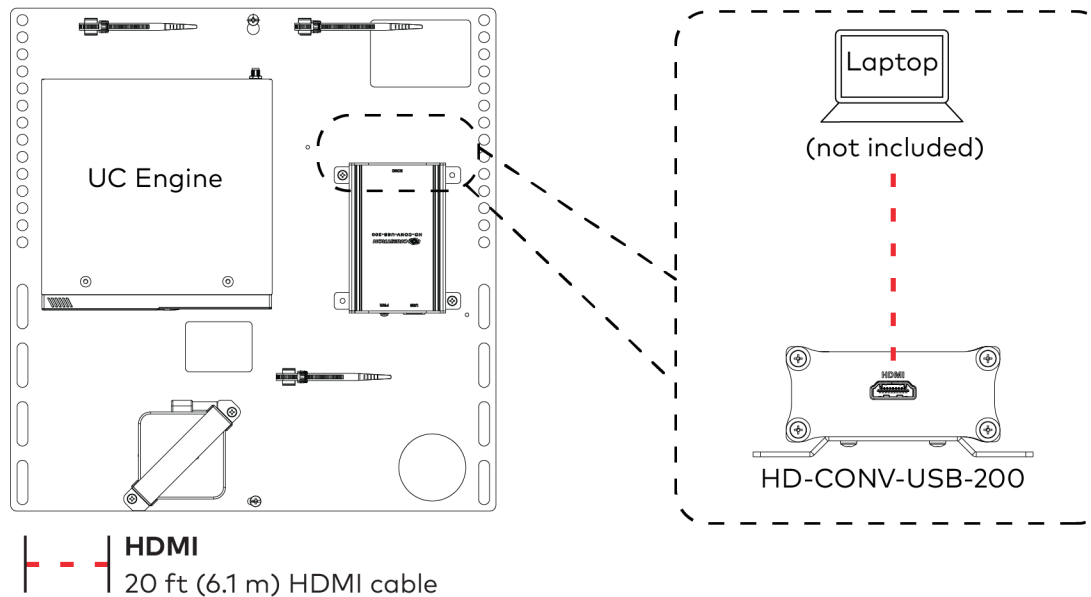
4. Connect a camera (not included) to the UC Engine as shown in the image below. Do not connect the camera to any of the other USB ports.





## Crestron Flex Video Conference System Integrator Kit with a Wall Mounted Control Interface for Microsoft Teams® Rooms

5. Reattach the connector cover using the screw removed in step 3.
6. Connect a laptop to the content ingest device (HD-CONV-USB-200).

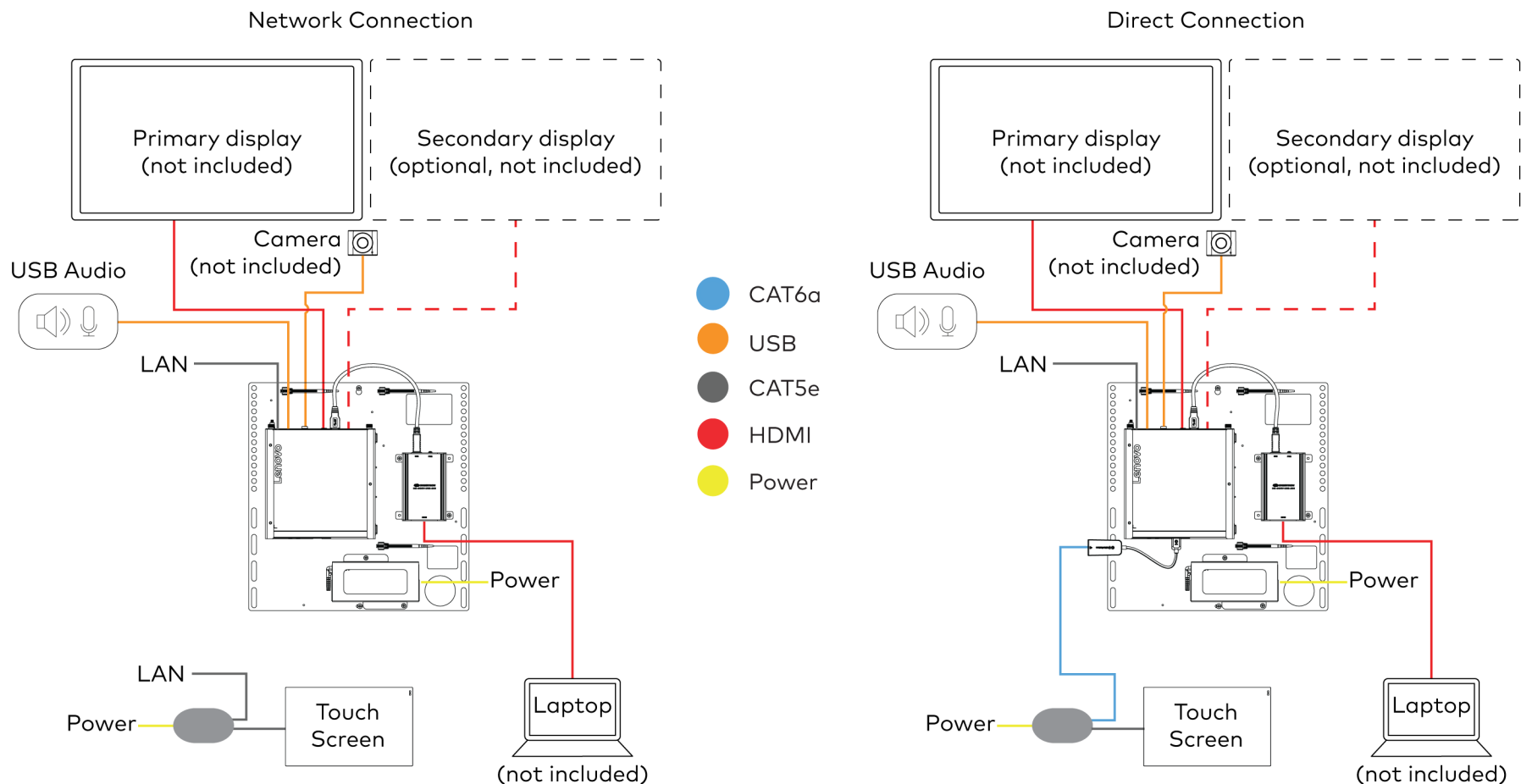


7. Bundle the cables to the bracket assembly with the integrated cable tie wraps. The cable tie wraps are reusable.

## Crestron Flex Video Conference System Integrator Kit with a Wall Mounted Control Interface for Microsoft Teams® Rooms

### System Overview (UC-C100-T-L-WM)

When connections are complete, the system appears as shown below. Refer to [Make Connections \(UC-C100-T-L-WM\)](#) for detailed connection instructions.

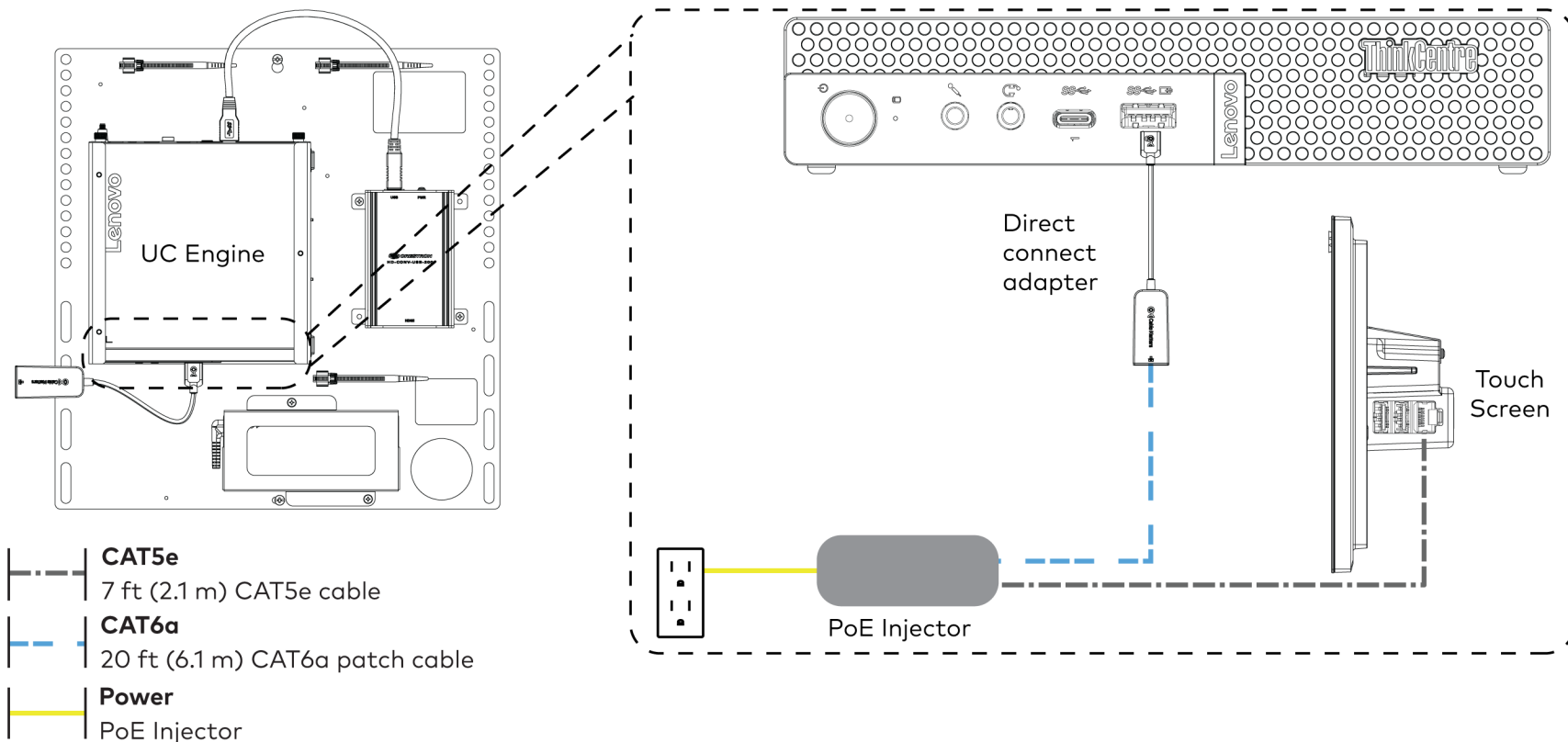


## Crestron Flex Video Conference System Integrator Kit with a Wall Mounted Control Interface for Microsoft Teams® Rooms

### Make Connections (UC-C100-T-L-WM)

1. Make UC Engine connections as shown in the following illustrations. The touch screen can communicate with the UC Engine over a direct connection or a network connection. Select one of the connection types as described below.
  - Make a direct connection for simple installation and setup. Only use the direct connect adapter to connect the touch screen's PoE injector to the UC Engine. Do not use the direct connect adapter to connect the UC Engine to the network.

#### Direct Connection

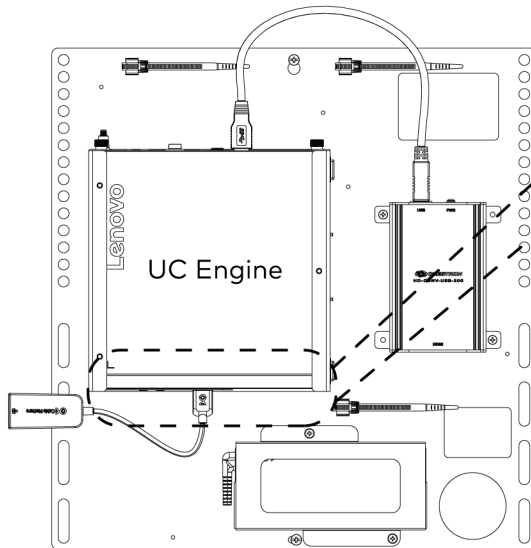


## Crestron Flex Video Conference System Integrator Kit with a Wall Mounted Control Interface for Microsoft Teams® Rooms

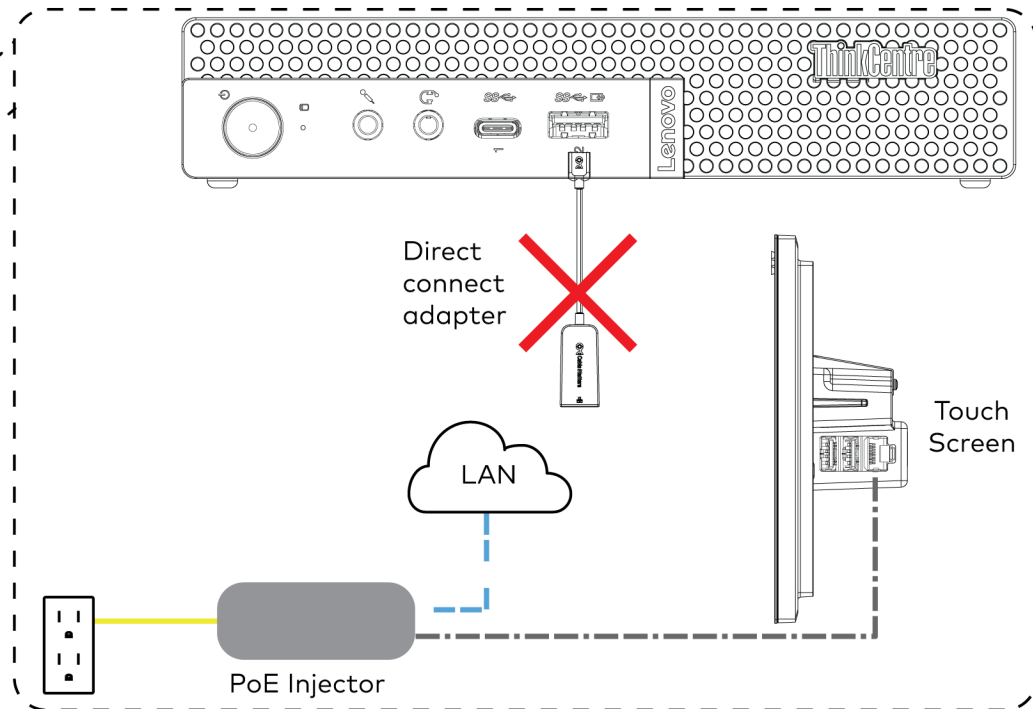
- Make a network connection if the system is to be managed by the XiO Cloud® service.

**NOTE:** When a network connection is used, disconnect the direct connect adapter from the UC Engine.

### Network Connection

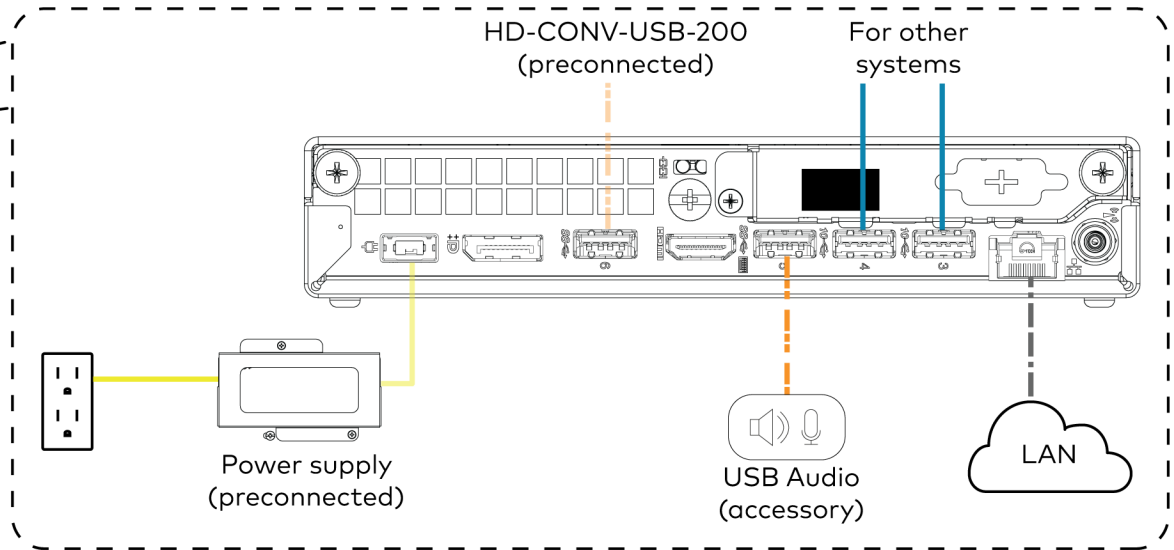
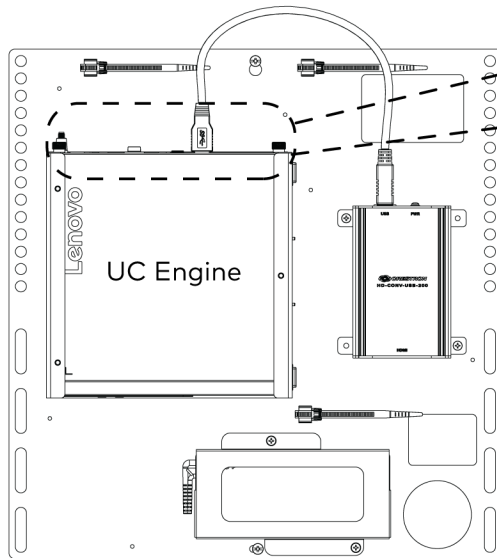





- CAT5e**  
7 ft (2.1 m) CAT5e cable
- CAT6a**  
20 ft (6.1 m) CAT6a patch cable
- Power**  
PoE Injector



## Crestron Flex Video Conference System Integrator Kit with a Wall Mounted Control Interface for Microsoft Teams® Rooms

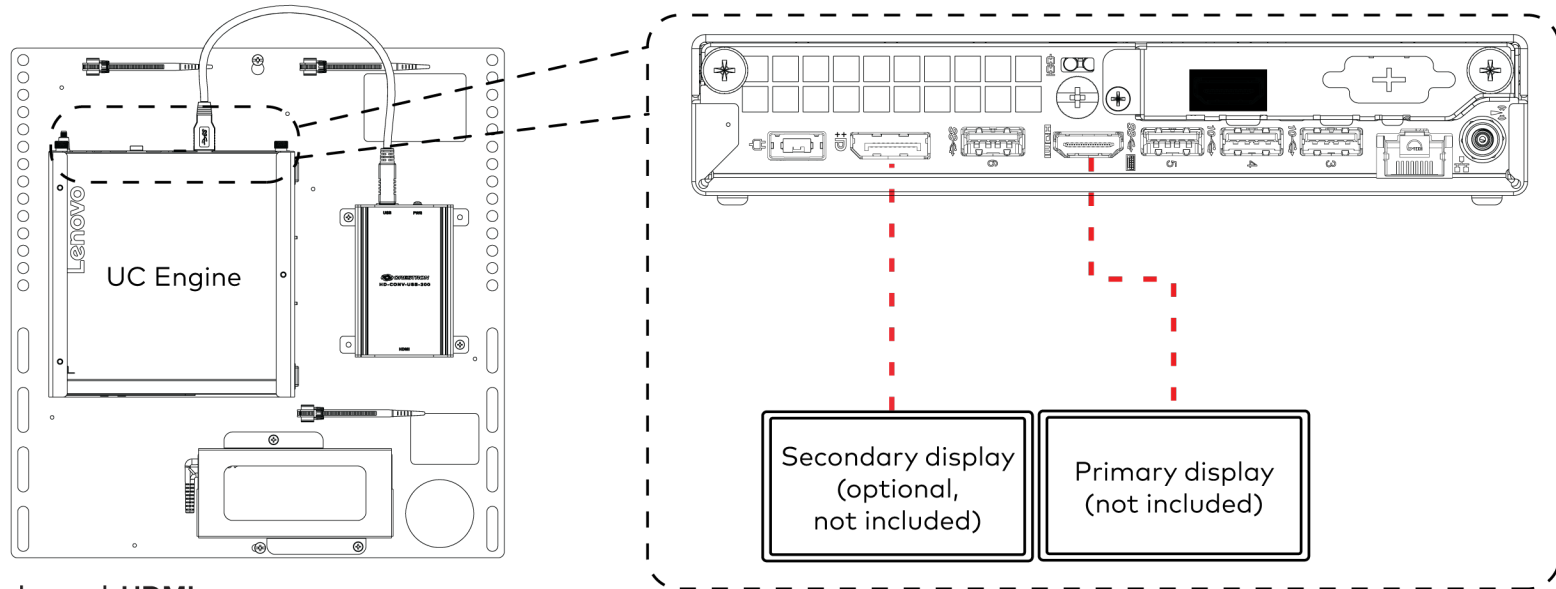
2. Make USB audio (accessory) and network connections to the top of the UC Engine. Connect the bracket assembly's integrated power supply to an AC power outlet.



-  **CAT5e**  
7 ft (2.1 m) CAT5e cable
-  **USB**  
USB Audio (accessory)
-  **Power**  
Power supply

## Crestron Flex Video Conference System Integrator Kit with a Wall Mounted Control Interface for Microsoft Teams® Rooms

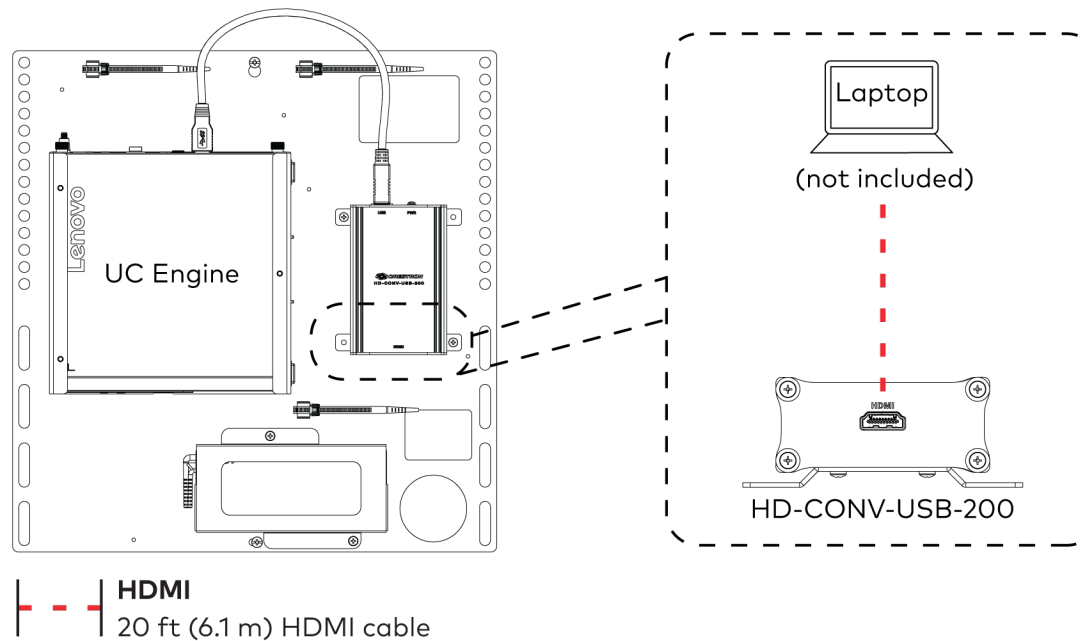
3. Connect displays to the UC Engine.



**HDMI**  
Primary: 6 ft (1.8 m) HDMI cable  
Secondary: 6 ft (1.8 m) DisplayPort to HDMI cable

## Crestron Flex Video Conference System Integrator Kit with a Wall Mounted Control Interface for Microsoft Teams® Rooms

4. Connect a laptop to the content ingest device (HD-CONV-USB-200).



5. Bundle the cables to the bracket assembly with the integrated cable tie wraps. The cable tie wraps are reusable.

## Crestron Flex Video Conference System Integrator Kit with a Wall Mounted Control Interface for Microsoft Teams® Rooms



### Configure

#### Apply Power

Press the power button on the bottom of the UC Engine and apply power to all of the other devices in the system.

#### Configure the Touch Screen

**NOTE:** If a direct connection was made during installation, skip to [Configure the System](#).

1. On a computer, open a web browser to the IP address of the touch screen. Log in and navigate to **Settings > Applications**.

##### NOTES:

- The touch screen (via the PoE injector) and computer must be on the same network switch and VLAN.
- A login with administrative rights for the touch screen is required.

2. Enter the following information in the appropriate fields:

- **Teams Video PC Address:** Enter the IP address or hostname of the UC Engine.

**NOTE:** The hostname is printed on a label affixed to the UC Engine (mounted on the UC bracket assembly).

- **Teams Video PC Port:** By default, port number 49500 is used. If a different port number has been configured on the UC Engine, enter that port number instead.
- **Teams Video Username:** Enter the login username for the UC Engine. (The default username is "admin".)
- **Teams Video Password:** Enter the login password for the UC Engine. (The default password is "sfb".)

3. Click **Save Changes**.

#### Configure the System

Use the touch screen and your Microsoft Teams or Skype account credentials to configure the UC Engine. For detailed information on deploying Microsoft Teams Rooms, refer to the [Microsoft Teams Rooms](#) documentation.



## Crestron Flex Video Conference System Integrator Kit with a Wall Mounted Control Interface for Microsoft Teams® Rooms



### Visit the Product Page

Scan the QR code to visit the product page.

#### UC-C100-T-WM



[www.crestron.com/model/6511933](http://www.crestron.com/model/6511933)

#### UC-C100-T-L-WM



[www.crestron.com/model/6512192](http://www.crestron.com/model/6512192)

### Additional Information

#### Original Instructions

The U.S. English version of this document is the original instructions. All other languages are a translation of the original instructions.

Crestron product development software is licensed to Crestron dealers and Crestron Service Providers (CSPs) under a limited nonexclusive, nontransferable Software Development Tools License Agreement. Crestron product operating system software is licensed to Crestron dealers, CSPs, and end-users under a separate End-User License Agreement. Both of these Agreements can be found on the Crestron website at [www.crestron.com/legal/software\\_license\\_agreement](http://www.crestron.com/legal/software_license_agreement).

The product warranty can be found at [www.crestron.com/warranty](http://www.crestron.com/warranty).

The specific patents that cover Crestron products are listed at [www.crestron.com/legal/patents](http://www.crestron.com/legal/patents).

Certain Crestron products contain open source software. For specific information, visit [www.crestron.com/opensource](http://www.crestron.com/opensource).

Crestron, the Crestron logo, and XiO Cloud are either trademarks or registered trademarks of Crestron Electronics, Inc. in the United States and/or other countries. ASUS is either a trademark or registered trademark of ASUSTeK Computer Inc. in the United States and/or other countries. HDMI is either a trademark or registered trademark of HDMI Licensing LLC in the United States and/or other countries. Lenovo and ThinkSmart are either trademarks or registered trademarks of Lenovo in the United States and/or other countries. Microsoft 365, Microsoft Exchange Server, Microsoft Teams, and Skype are either trademarks or registered trademarks of Microsoft Corporation in the United States and/or other countries. DisplayPort and VESA are either trademarks or registered trademarks of Video Electronics Standards Association in the United States and/or other countries. Other trademarks, registered trademarks, and trade names may be used in this document to refer to either the entities claiming the marks and names or their products. Crestron disclaims any proprietary interest in the marks and names of others. Crestron is not responsible for errors in typography or photography.

©2021 Crestron Electronics, Inc.

Doc. 8941B

06/09/21