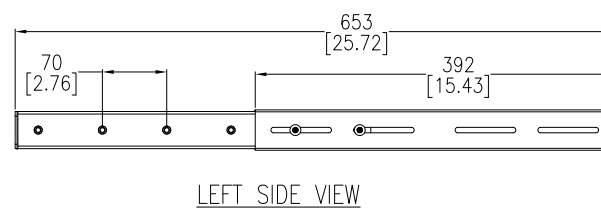
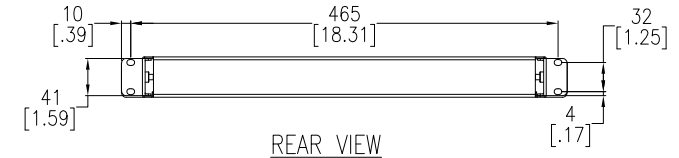


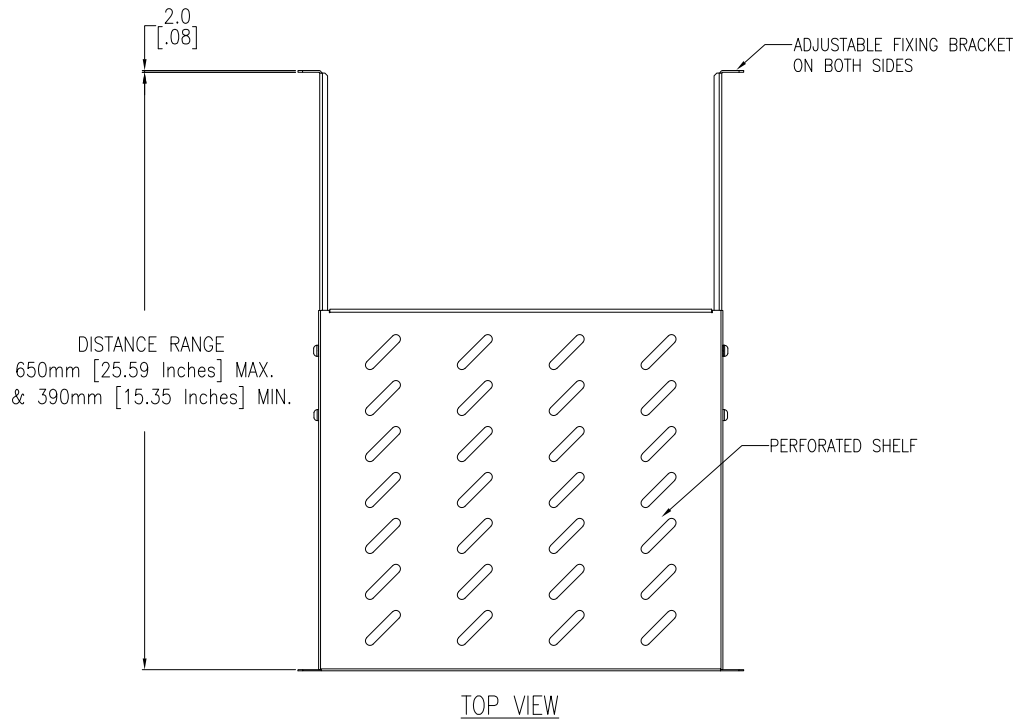
FRONT VIEW



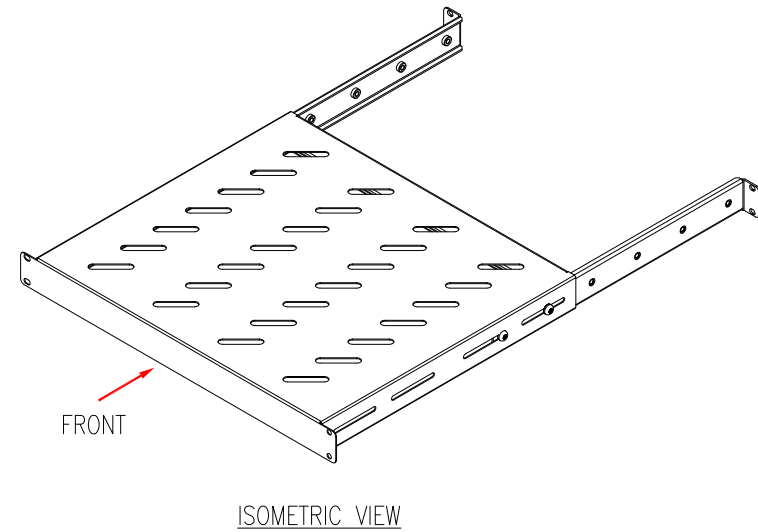
LEFT SIDE VIEW



REAR VIEW



TOP VIEW



ISOMETRIC VIEW

- NOTES:
1. INSTALLATION SHALL COMPLY WITH ALL APPLICABLE NATIONAL, STATE AND LOCAL ELECTRICAL REGULATIONS.
 2. REFER TO PRODUCT DOCUMENTATION FOR ADDITIONAL DETAILS PRIOR TO INSTALLATION AND SITE PREPARATION WORK.
 3. ALL DIMENSIONS ARE IN MILLIMETERS [INCHES].
 4. NET WEIGHT OF THE UNIT IS 3.5 kg [7.72 lb].

THIS DRAWING AND SPECIFICATIONS HEREIN ARE THE PROPERTY OF SCHNEIDER ELECTRIC AND SHALL NOT BE COPIED, REPRODUCED OR USED IN WHOLE OR IN PART, AS THE BASIS FOR THE MANUFACTURE OR SALE OF ITEMS WITHOUT WRITTEN PERMISSION FROM SCHNEIDER ELECTRIC. THIS DRAWING IS BASED UPON LATEST AVAILABLE INFORMATION AND IS SUBJECT TO CHANGE WITHOUT NOTICE.

Schneider Electric

TITLE: Easy RACK
ADJUSTABLE SHORT SHELF, 50kg
GENERAL ARRANGEMENT

DWG NO:	ER7SHELFS	REV:	0
DRAWN BY:	JAYAPRAKASH	11-JAN-21	FIRST ANGLE PROJECTION
ENGINEER:	Job GU	15-JAN-21	
APPROVED BY:	Job GU	15-JAN-21	

PROJECT: SUBMITTAL DRAWINGS SHEET 1 OF 1