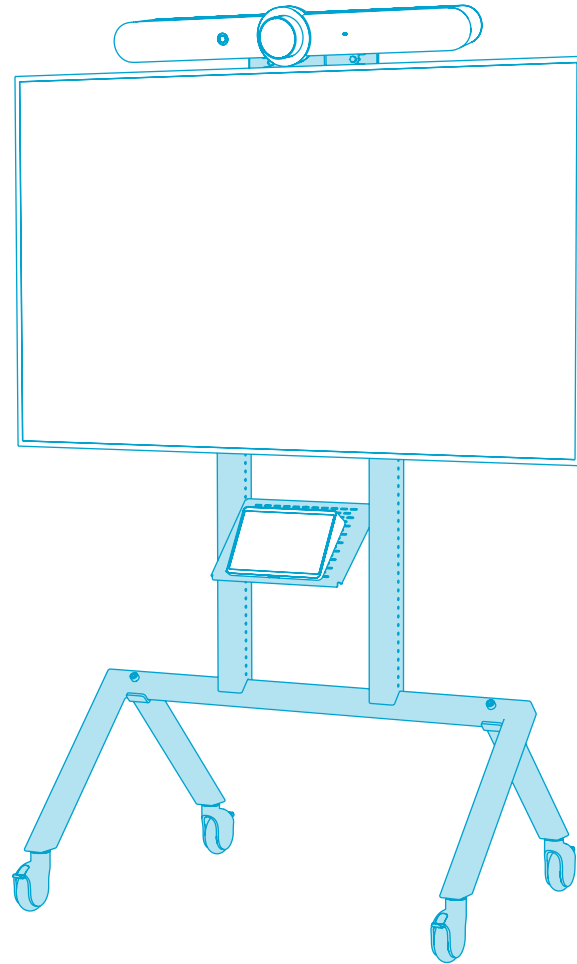


## H730 - Heckler AV Cart for Logitech Rally Bar

Supports displays with a VESA 400 horizontal mounting pattern, and up to 300 pounds of total display weight. Recommended for use with 50-inch to 75-inch displays.



To reduce the risk of severe injury or death to persons, or damage to equipment, review these installation safety steps before proceeding:

1. A minimum of two people should install the display to the cart.
2. Caster brakes should be applied during the installation of the display.
3. Do not over-tighten the wingnuts when mounting the display.
4. Do not exceed 300 pounds of total display weight.
5. Whenever rolling the cart with a large display installed, two people should guide the cart to prevent wall and doorframe collisions, and tripping on sidewalk expansion joints.

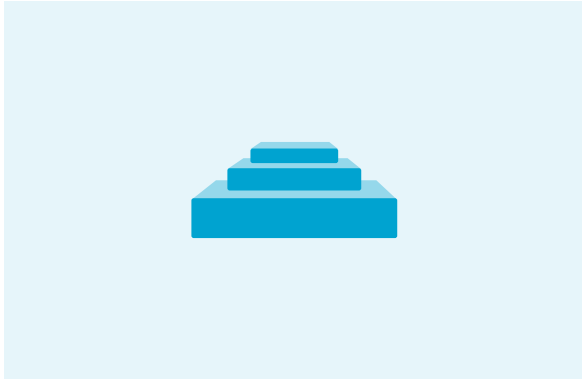
If you have any questions, please contact Heckler.

[service@hecklerdesign.com](mailto:service@hecklerdesign.com)

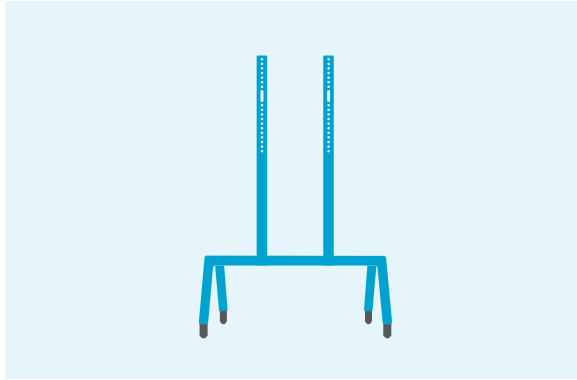
844-432-5930

# QUICK START

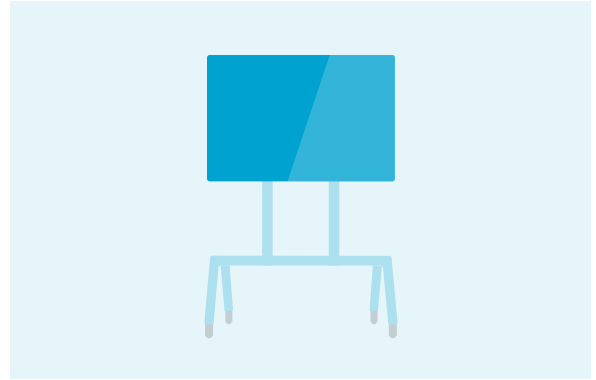
## 1. In the box



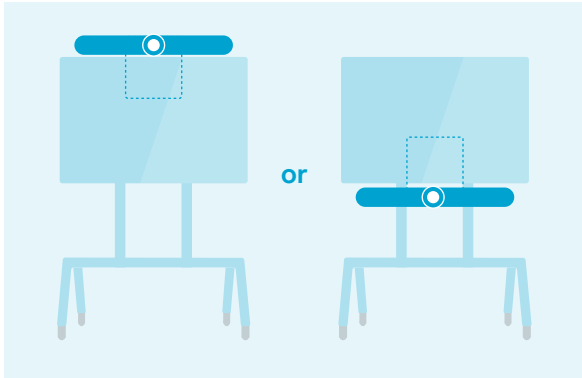
## 2. Assemble the cart base



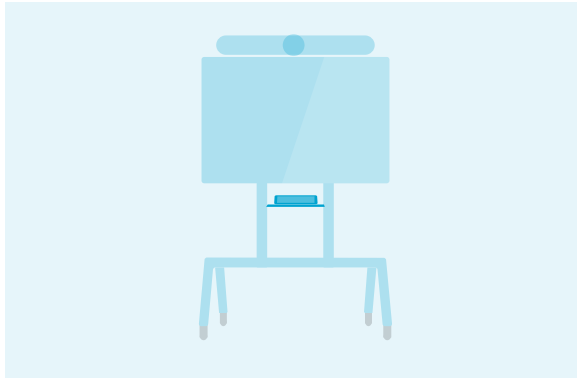
## 3. Install the display



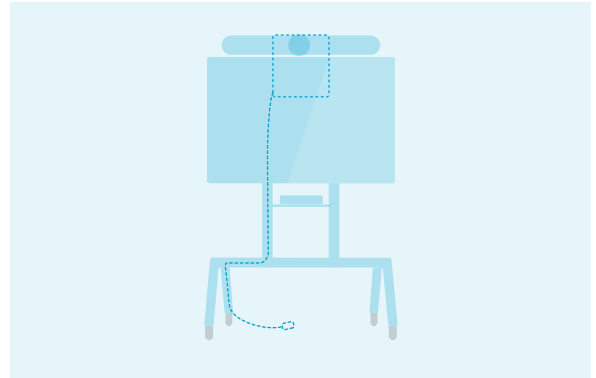
## 4. Install Rally Bar/Rally Bar Mini



## 5. Install Tap



## 6. Organize cables



In the box

Assemble the cart base

Install the display

Install Rally Bar/Rally Bar Mini

Install above the display

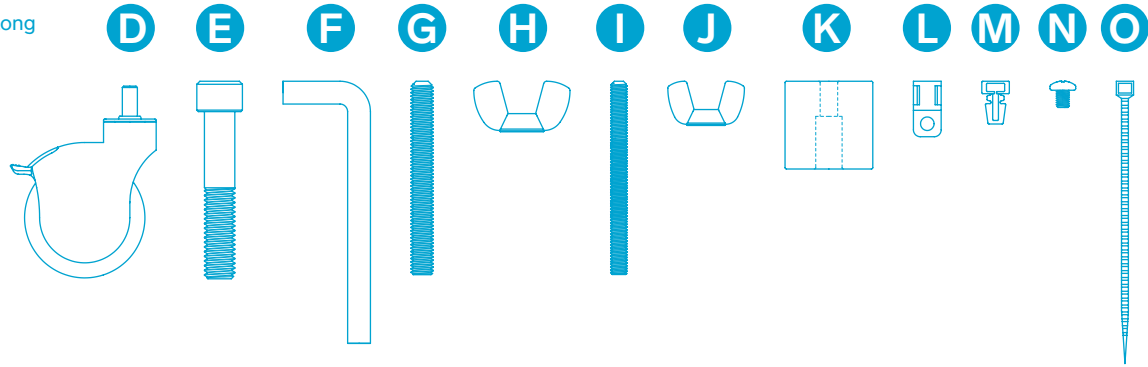
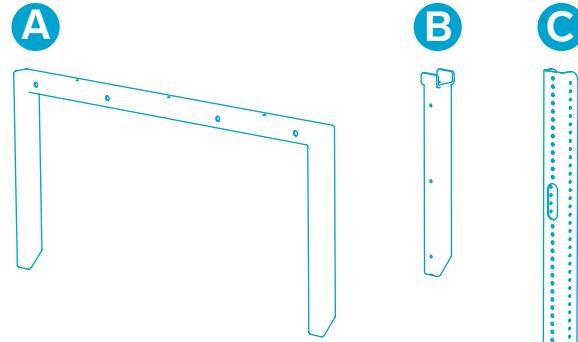
Install below the display

Install Tap

Organize the cables

## Heckler AV Cart Base

- A** 1 x Front Base
- B** 2 x Rear Leg
- C** 2 x Display Rail
- D** 4 x Caster
- E** 4 x Socket Head Screw, 1/2"-13, 2.75" Long
- F** 1 x Assembly Key, Hex, 3/8"
- G** 4 x Set Screw, M8, 70mm Long
- H** 4 x Wingnut, M8
- I** 4 x Set Screw, M6, 70mm Long
- J** 4 x Wingnut, M6
- K** 4 x Rubber Spacer
- L** 8 x Screw-in Cable Mount
- M** 4 x Push-in Cable Mount
- N** 8 x Pan Head Screw, 10-32, 0.25" Long
- O** 8 x Cable Tie



In the box

Assemble the cart base

Install the display

Install Rally Bar/Rally Bar Mini

Install above the display

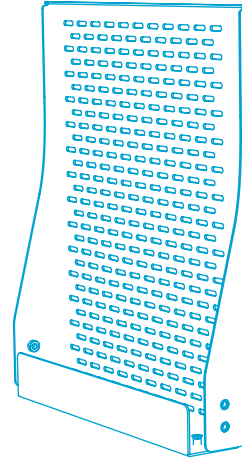
Install below the display

Install Tap

Organize the cables

## H702 Device Panel

- A** 1 x Device Panel for Heckler AV Cart
- B** 1 x Camera Adapter
- C** 2 x Cart-mounting screws
- D** 2 x Cart-mounting thumb screws
- E** 4 x Device-mounting thumb screws
- F** 4 x Device-mounting thumb nuts
- G** 4 x Device-mounting thumb nuts
- H** 1 x Camera-mounting screw
- I** 1 x Camera-mounting key
- J** 1 x Velcro for strapping devices. Two feet.



**A**



**B**

**C**



**D**



**E**



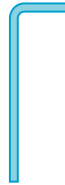
**F**



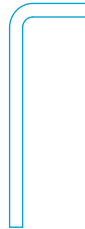
**G**



**H**



**I**

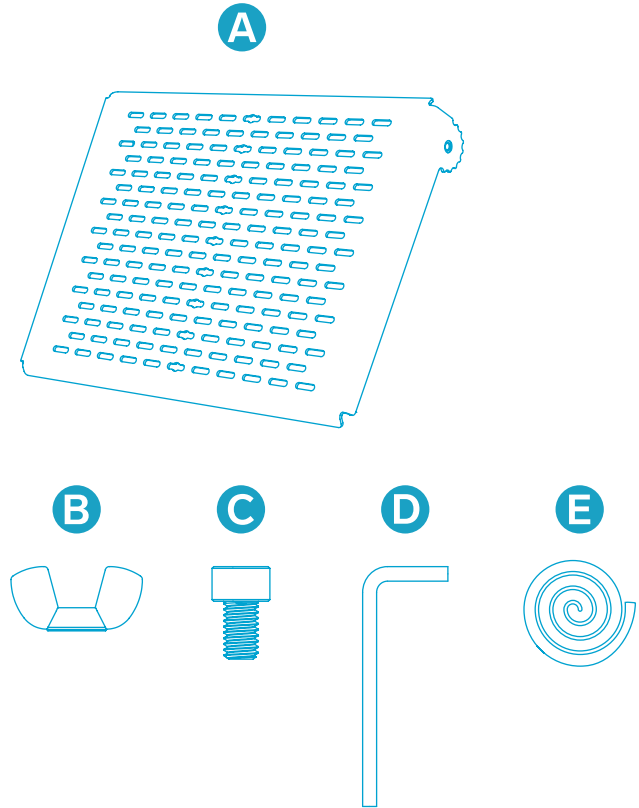


**J**



## H709 Control Shelf

- A** 1 x Control Shelf for Heckler AV Cart
- B** 2 x Cart-mounting wingnuts
- C** 4 x Cart-mounting screws
- D** 1 x Cart-mounting assembly key
- E** 1 x Velcro for strapping devices. 12 inches



## In the box

Assemble the cart base

Install the display

Install Rally Bar/Rally Bar Mini

Install above the display

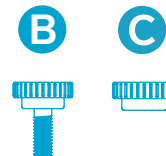
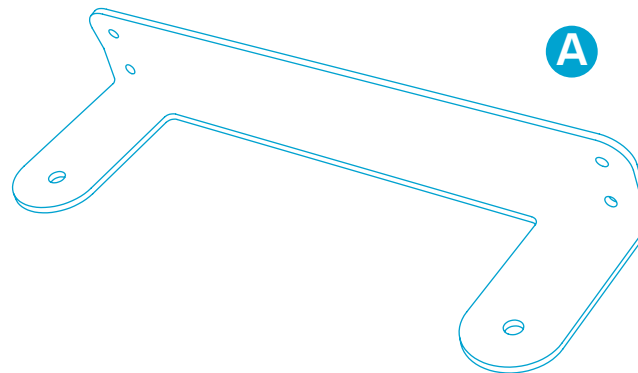
Install below the display

Install Tap

Organize the cables

## H711 Cart Mount for Logitech Rally Bar

- A** 1 x Cart Mount for Logitech Rally Bar
- B** 2 x Bracket-mounting thumb screws
- C** 2 x Bracket-mounting thumb nuts



## STEP 1

Remove the wheels from all four casters.

In the box

Assemble the cart base

Install the display

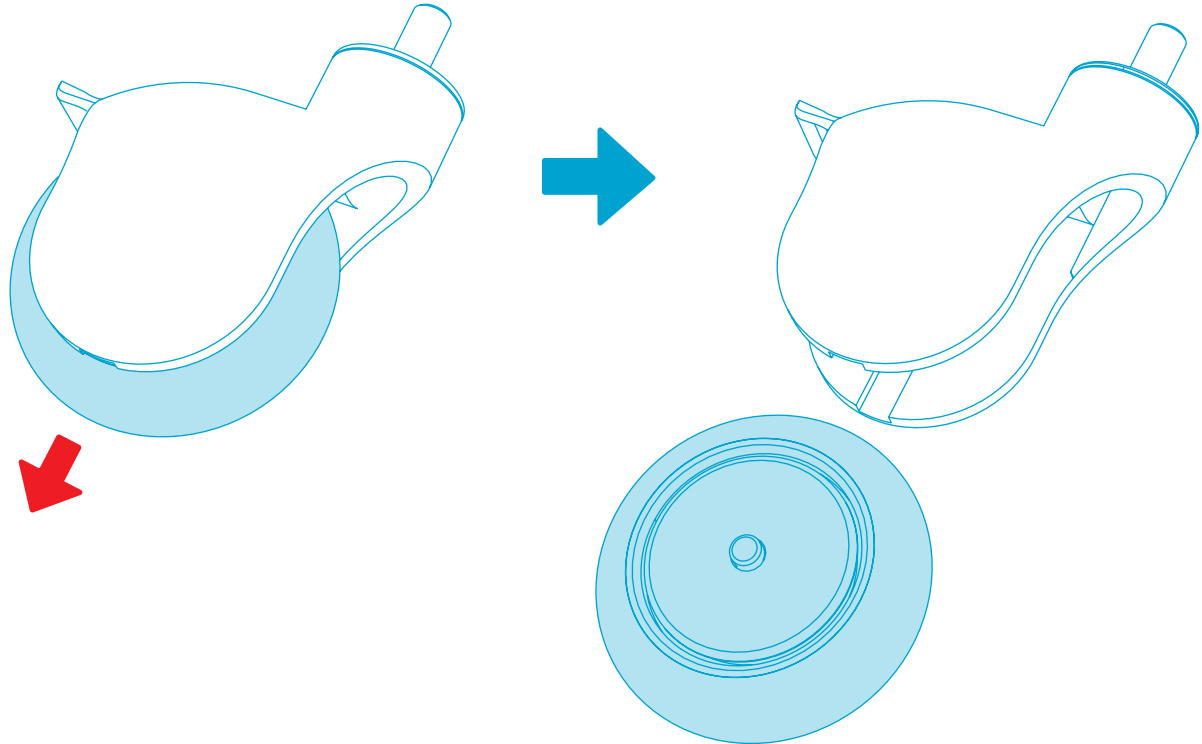
Install Rally Bar/Rally Bar Mini

Install above the display

Install below the display

Install Tap

Organize the cables





## STEP 2

Install all casters.

In the box

Assemble the cart base

Install the display

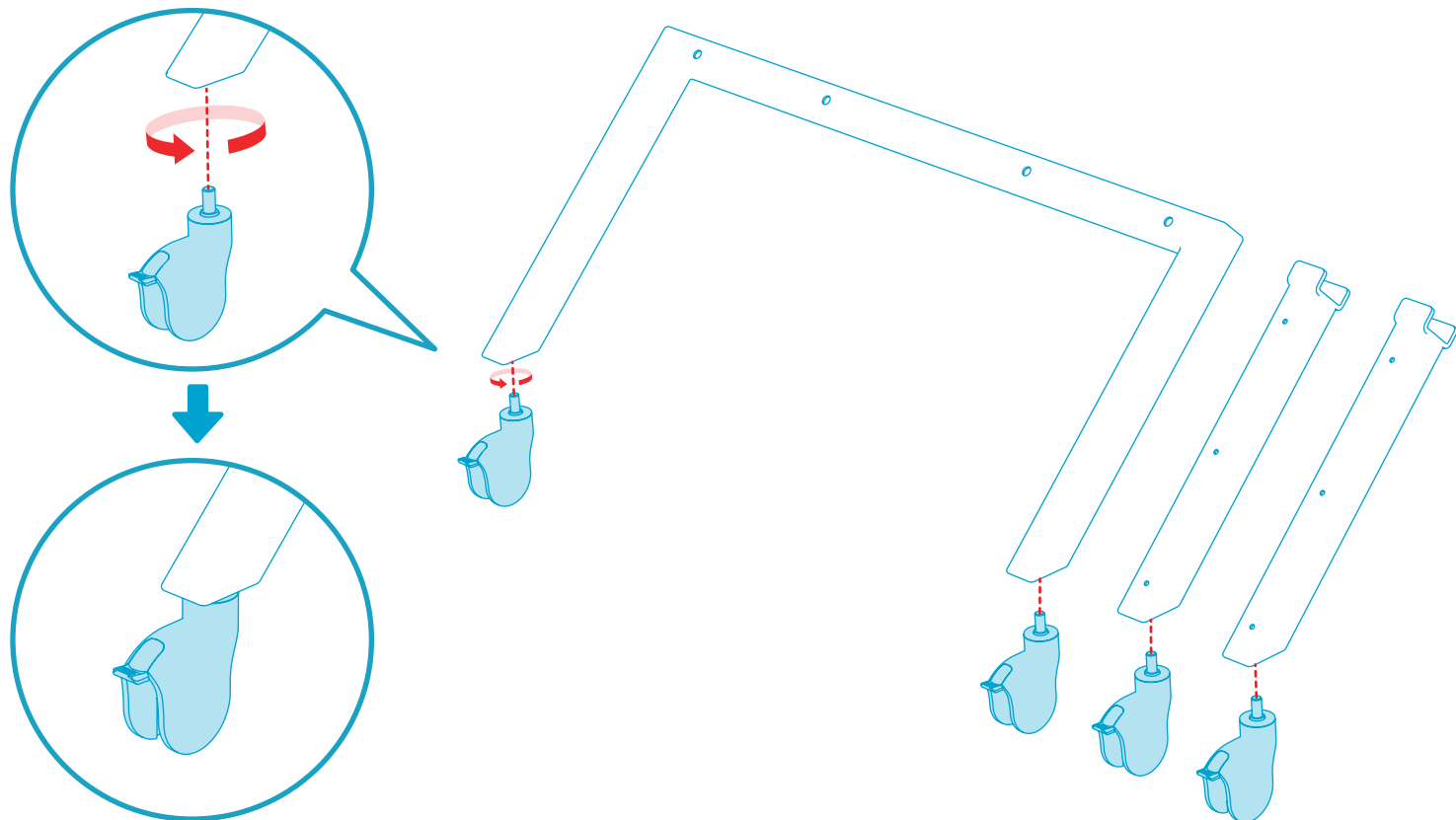
Install Rally Bar/Rally Bar Mini

Install above the display

Install below the display

Install Tap

Organize the cables



## STEP 3

### Reinstall caster wheels.

In the box

Assemble the cart base

Install the display

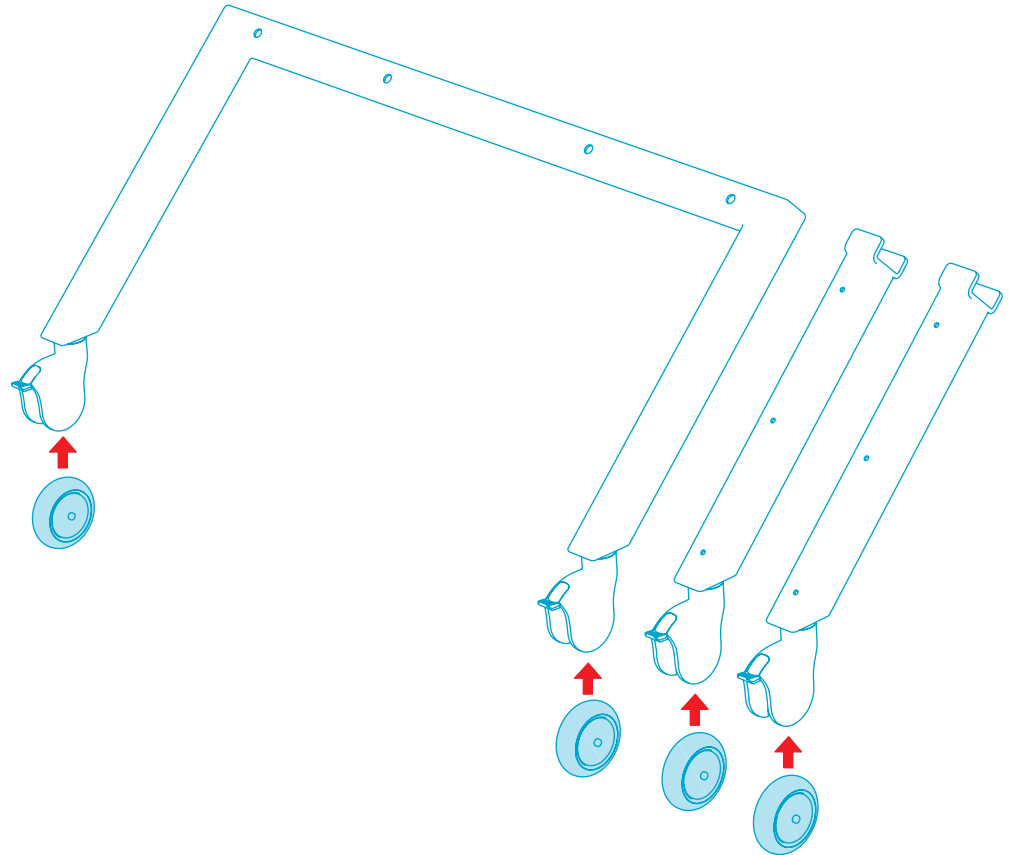
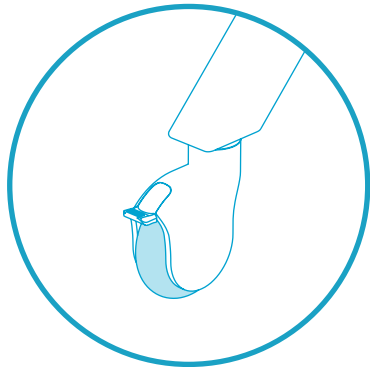
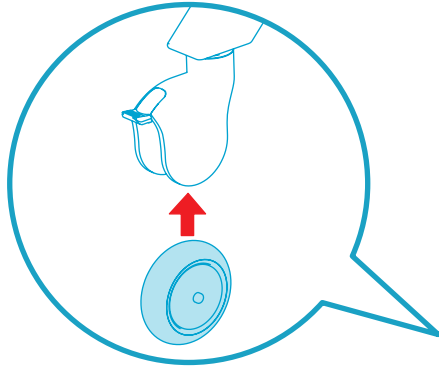
Install Rally Bar/Rally Bar Mini

Install above the display

Install below the display

Install Tap

Organize the cables



## STEP 4

Engage all caster brakes.

In the box

Assemble the cart base

Install the display

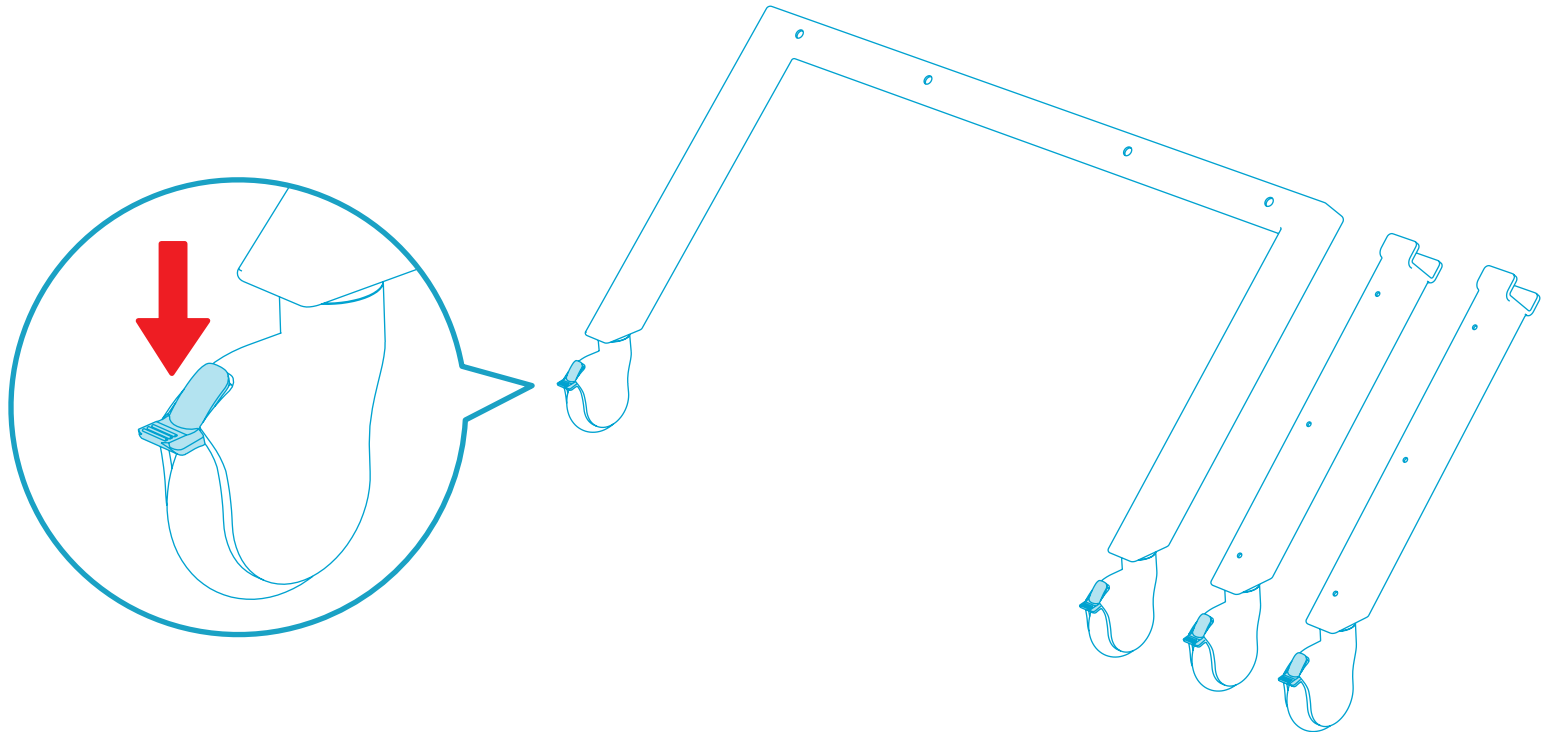
Install Rally Bar/Rally Bar Mini

Install above the display

Install below the display

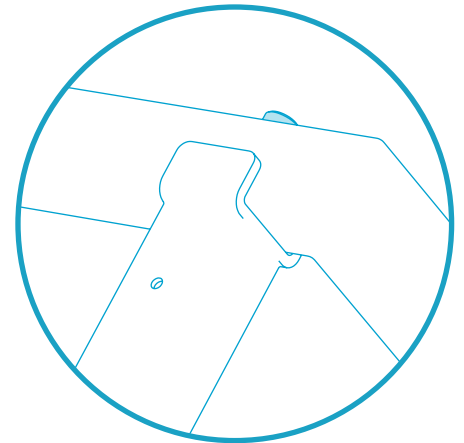
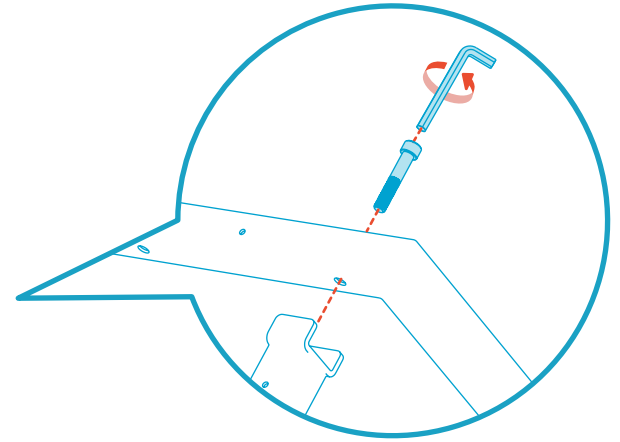
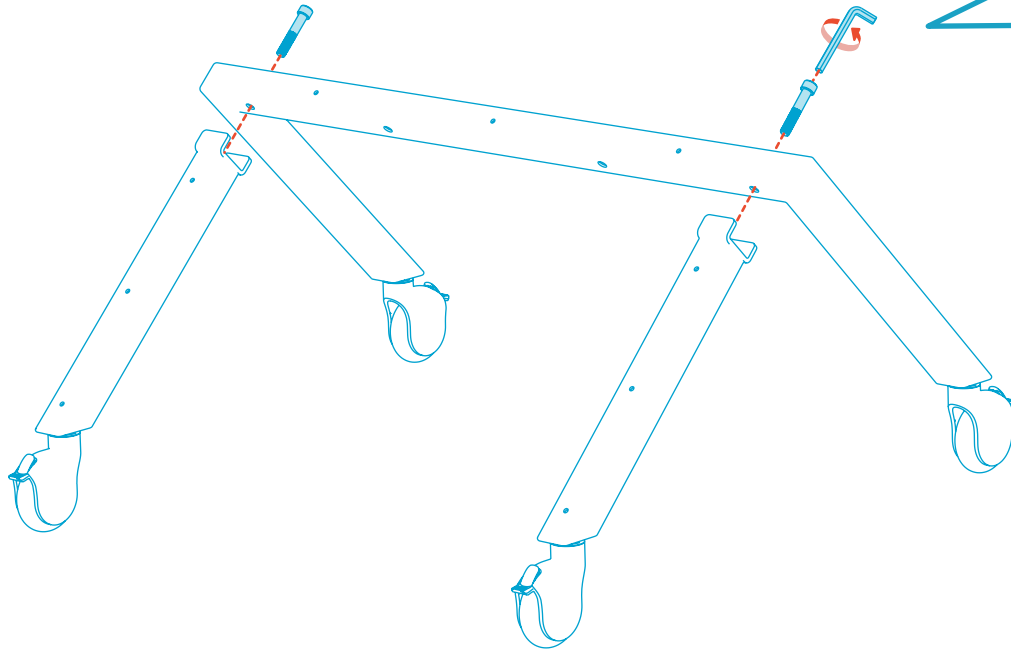
Install Tap

Organize the cables



## STEP 5

Fasten Rear Legs to Front Base.



In the box

Assemble the cart base

Install the display

Install Rally Bar/Rally Bar Mini

Install above the display

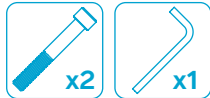
Install below the display

Install Tap

Organize the cables

## STEP 6

Fasten Display Rails to Front Base.



In the box

Assemble the cart base

Install the display

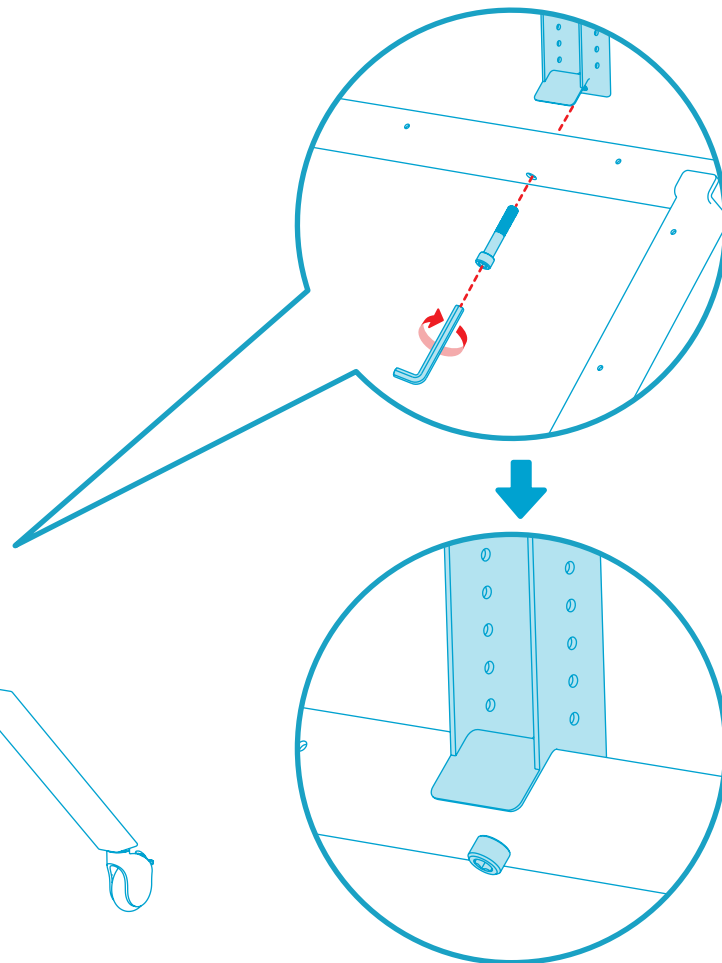
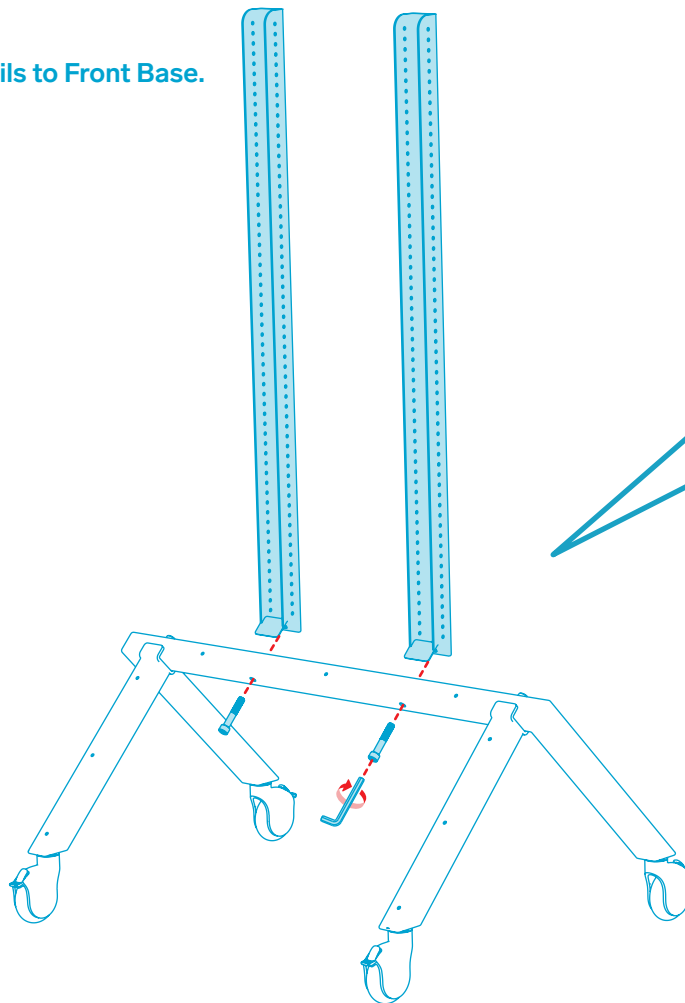
Install Rally Bar/Rally Bar Mini

Install above the display

Install below the display

Install Tap

Organize the cables



## STEP 7

Determine whether your display has M8 or M6 mounting holes.

In the box

Assemble the cart base

**Install the display**

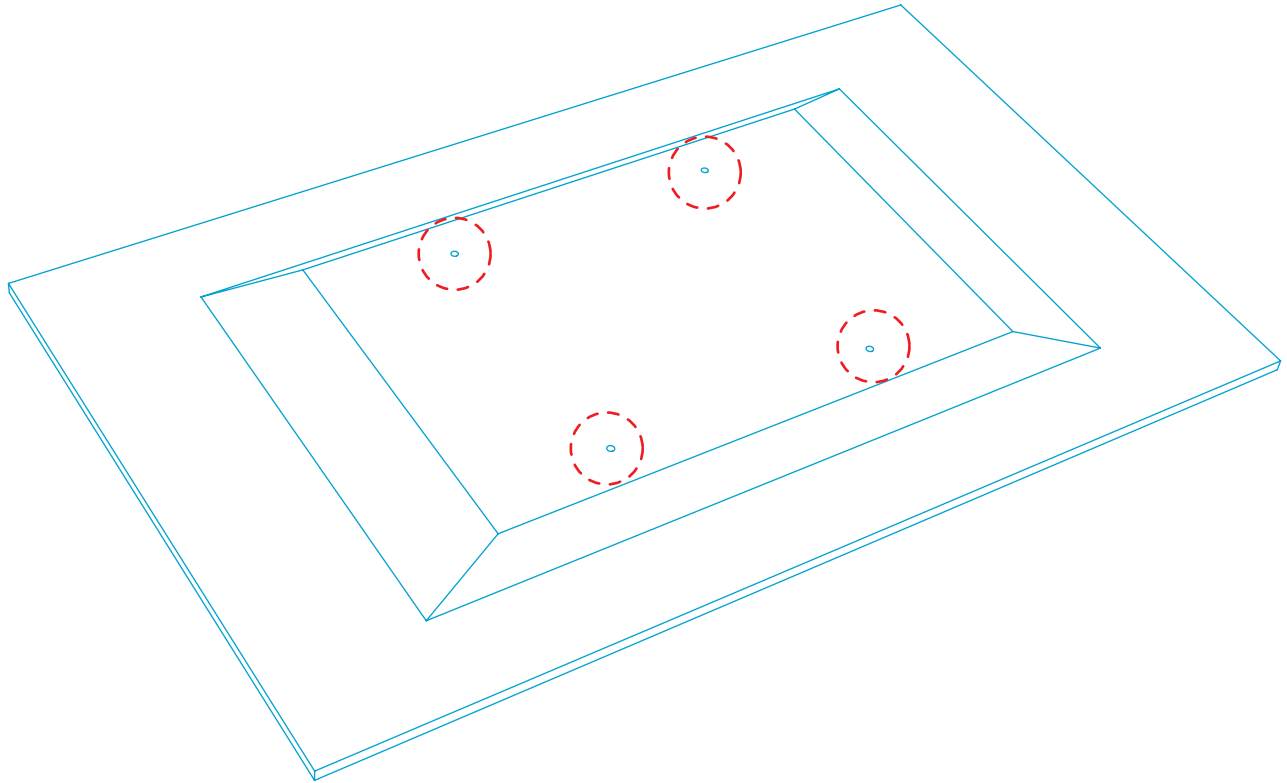
Install Rally Bar/Rally Bar Mini

Install above the display

Install below the display

Install Tap

Organize the cables



## STEP 8

Prepare the display-mounting hardware.

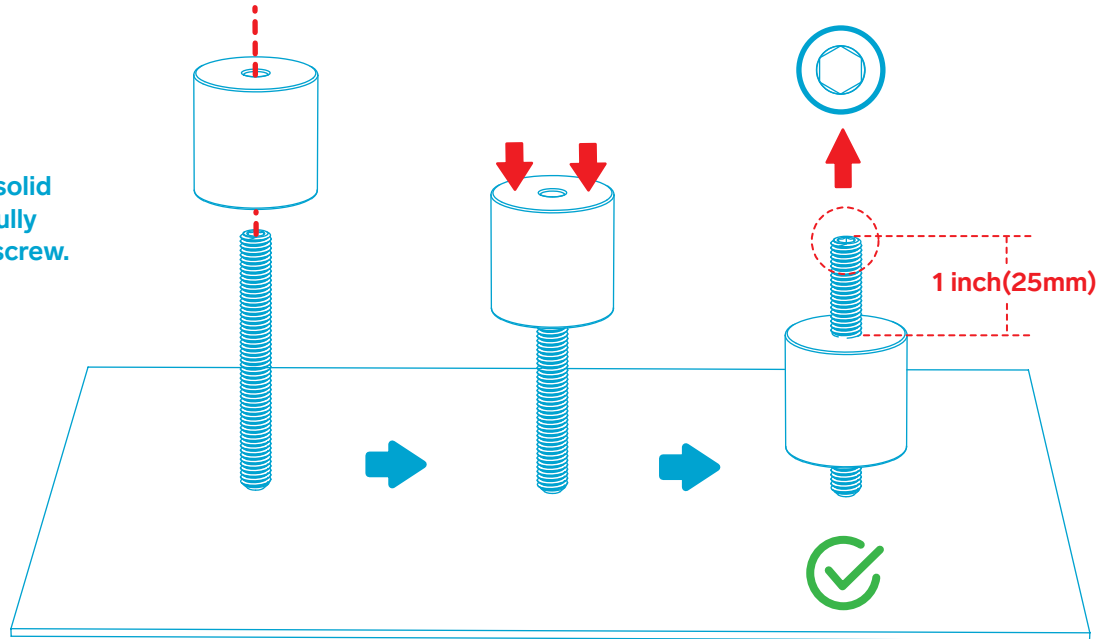
Insert the M6 or M8 set screws through the rubber spacers.

Position the set screw relative to the spacer as shown.



### Important Notes:

The set screws are a tight fit. To push the set screw into the spacer, place cardboard on a solid surface then slowly and carefully push the spacer onto the set screw.



In the box

Assemble the cart base

Install the display

Install Rally Bar/Rally Bar Mini

Install above the display

Install below the display

Install Tap

Organize the cables

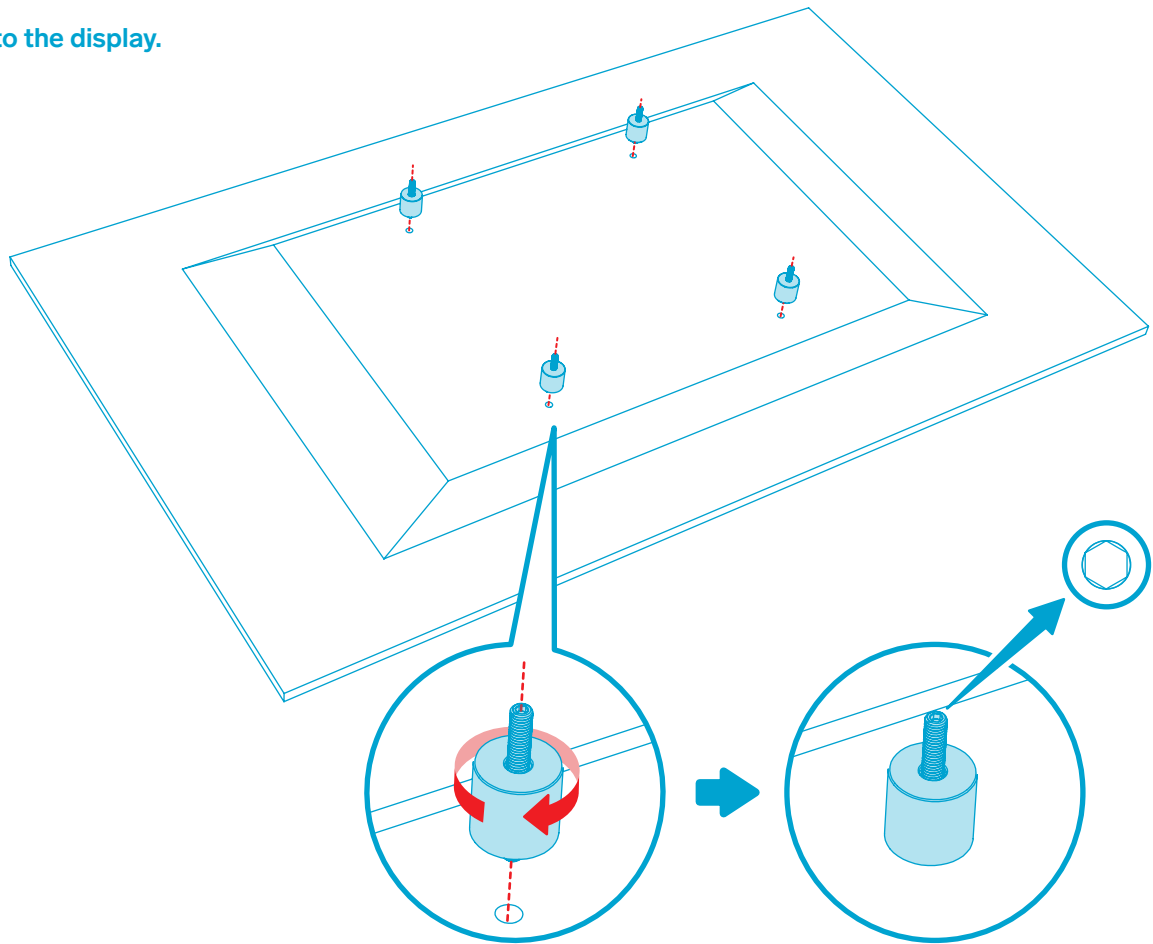
## STEP 9

Fasten the mounting hardware to the display.



### Important notes:

1. Fasten the set screw into the display at the depth recommended by the display manufacturer. Do not over-tighten these mounting screws.
2. Ensure the spacers rest snugly against the rear surface of the display.
3. The hex drive of each set screw should face away from the display.



In the box

Assemble the cart base

Install the display

Install Rally Bar/Rally Bar Mini

Install above the display

Install below the display

Install Tap

Organize the cables



## Note

If your display feature a curved rear surface, the display likely shipped with special mounting spacers. If so, use the display manufacturer's mounting spacers rather than the spacers included with Heckler AV Cart Prime.



### Install the display

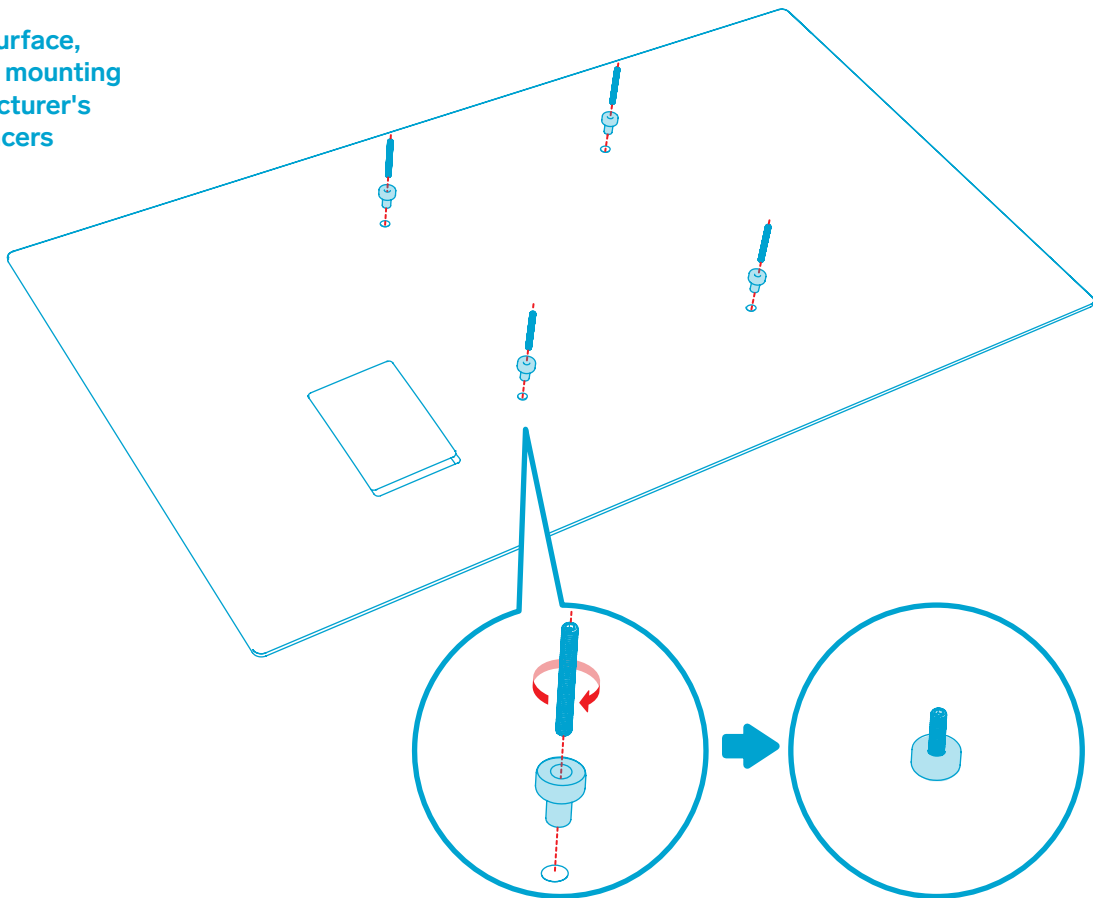
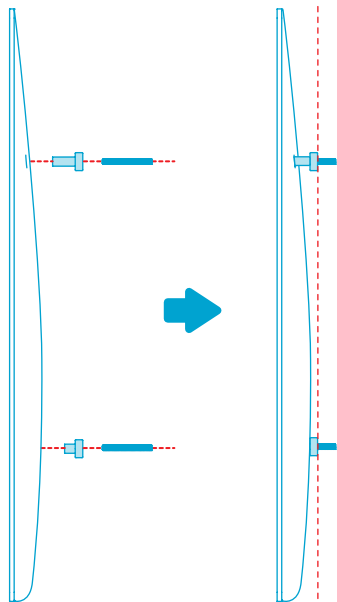
Install Rally Bar/Rally Bar Mini

Install above the display

Install below the display

Install Tap

Organize the cables



## STEP 10

Ensure all caster brakes are engaged.

In the box

Assemble the cart base

Install the display

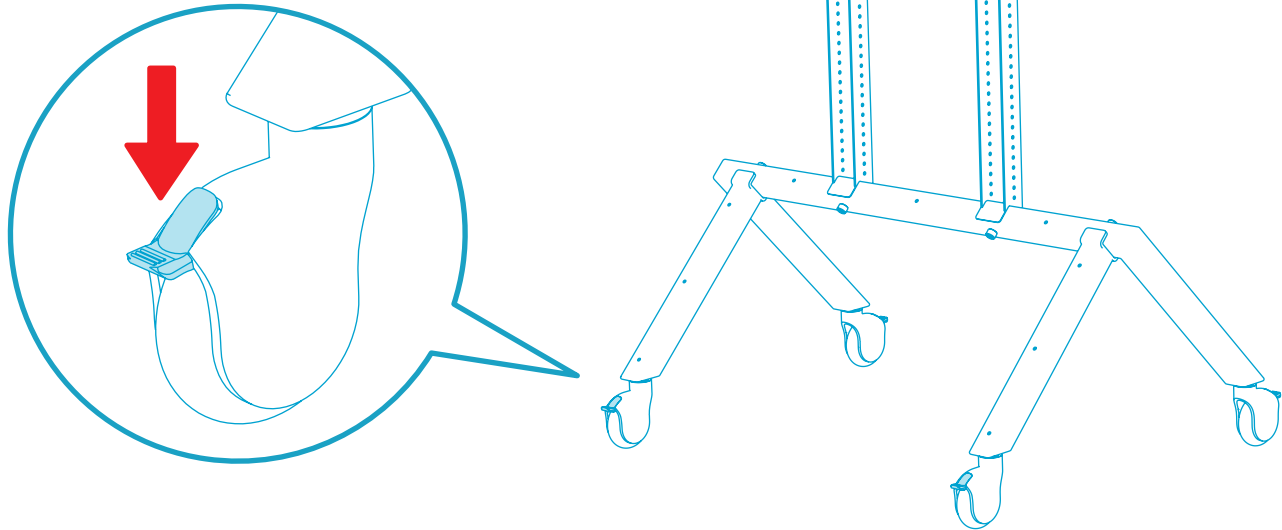
Install Rally Bar/Rally Bar Mini

Install above the display

Install below the display

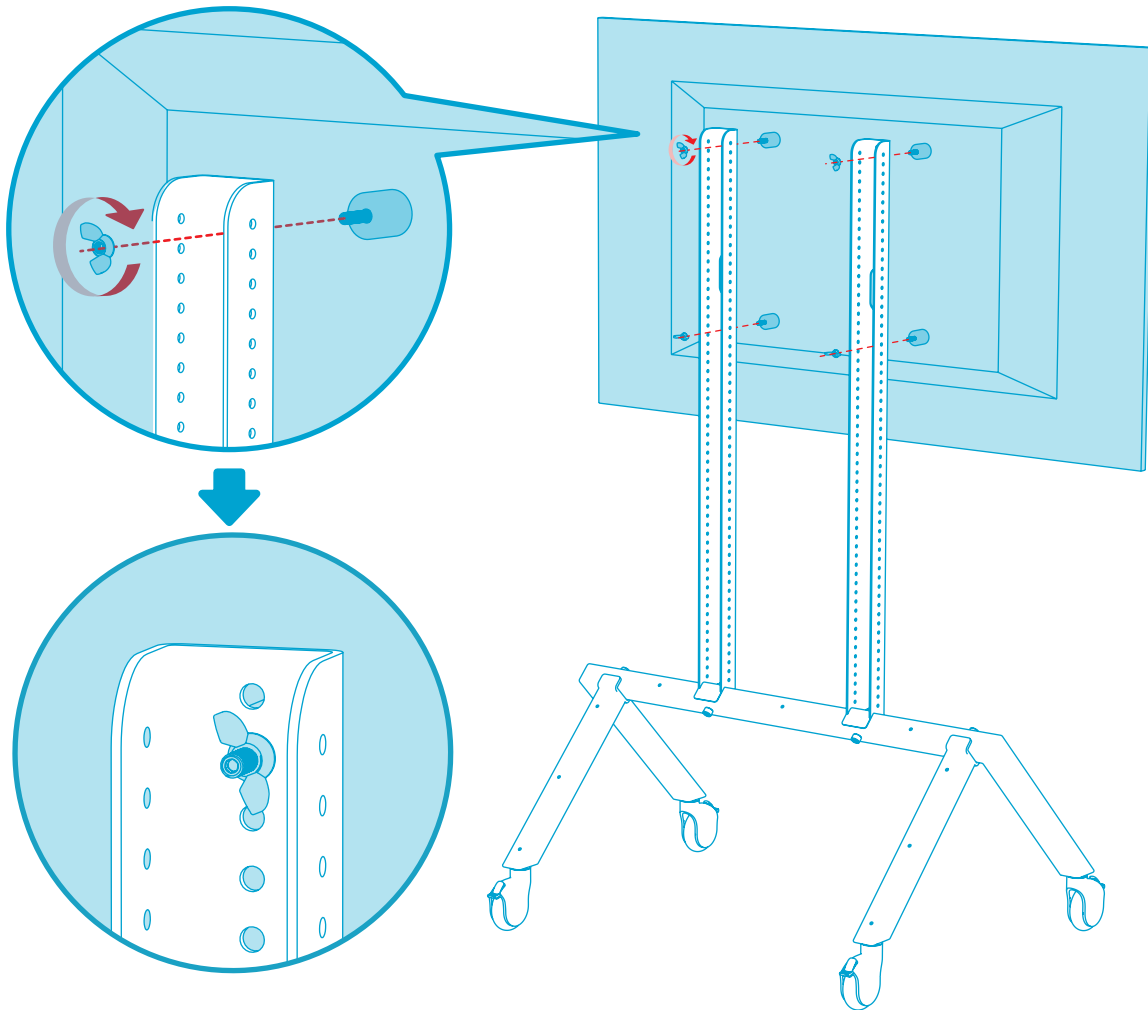
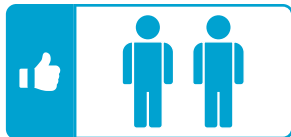
Install Tap

Organize the cables



## STEP 11

Install the display to  
Display Rails by  
fastening wingnuts.



In the box

Assemble the cart base

Install the display

Install Rally Bar/Rally  
Bar Mini

Install above the display

Install below the display

Install Tap

Organize the cables

## OPTIONAL

Install Tripp-lite power strip (not included).

In the box

Assemble the cart base

Install the display

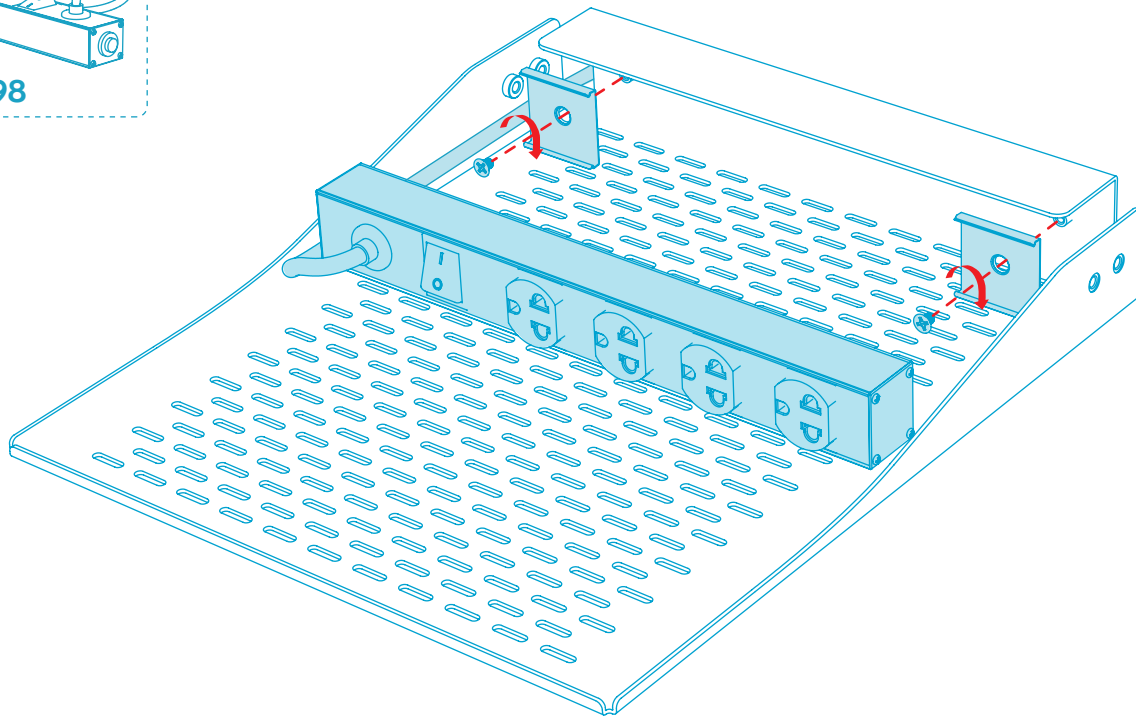
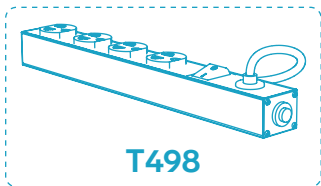
Install Rally Bar/Rally Bar Mini

Install above the display

Install below the display

Install Tap

Organize the cables



## STEP 12

Determine Rally Bar/Rally Bar Mini position.

In the box

Assemble the cart base

Install the display

**Install Rally Bar/Rally Bar Mini**

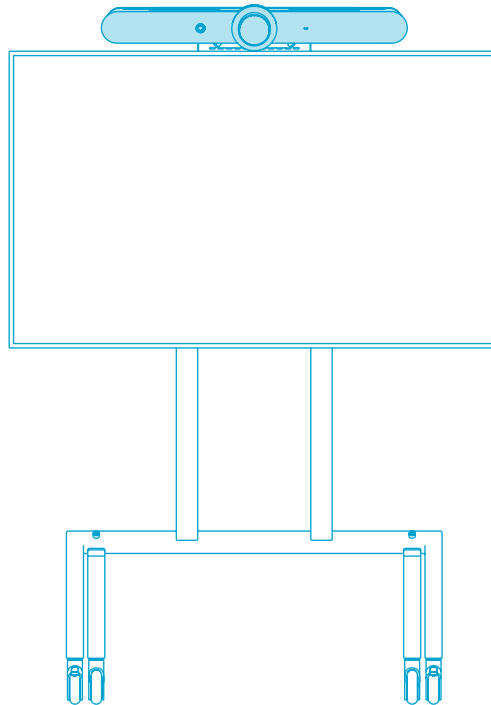
Install above the display

Install below the display

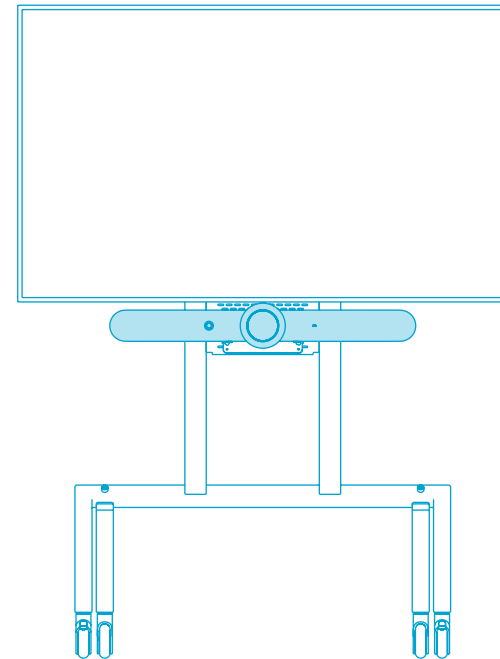
Install Tap

Organize the cables

If mounting above the display,  
go to Page 19.



If mounting below the display,  
go to Page 25.



## Mount Rally Bar/Rally Bar Mini above display.

### STEP 13

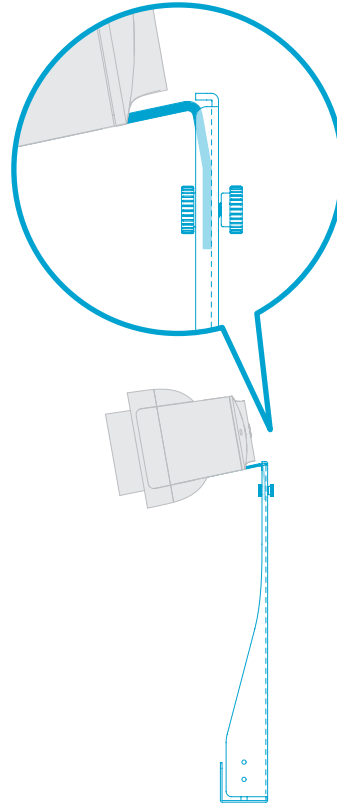
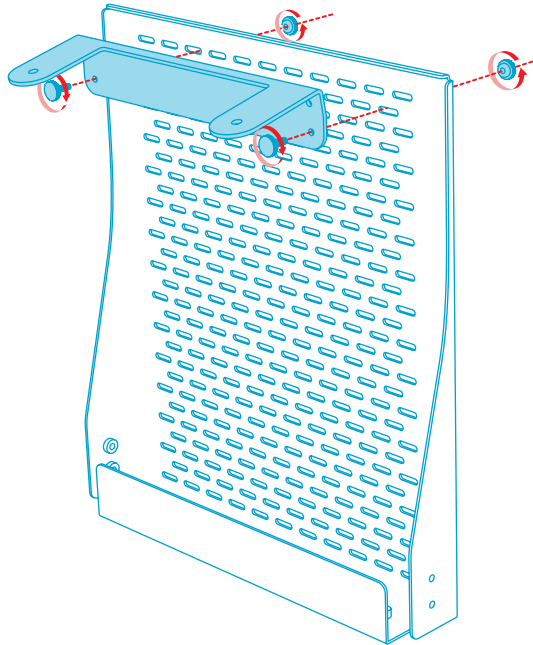
Select your preferred mounting angle and install Cart Mount Bracket to the Device Panel.



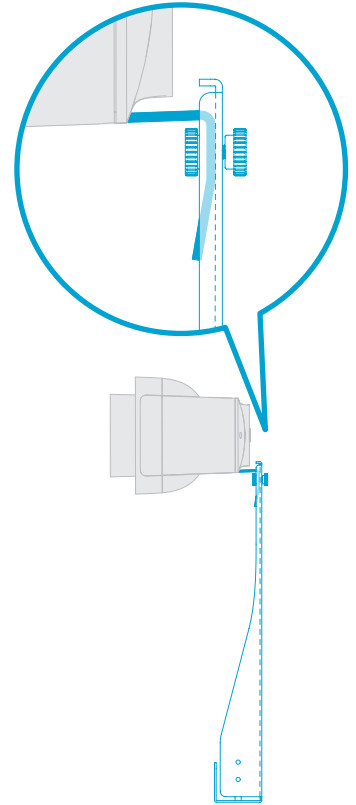
From H711



From H711



OR



In the box

Assemble the cart base

Install the display

Install Rally Bar/Rally Bar Mini

Install above the display

Install below the display

Install Tap

Organize the cables

In the box

Assemble the cart base

Install the display

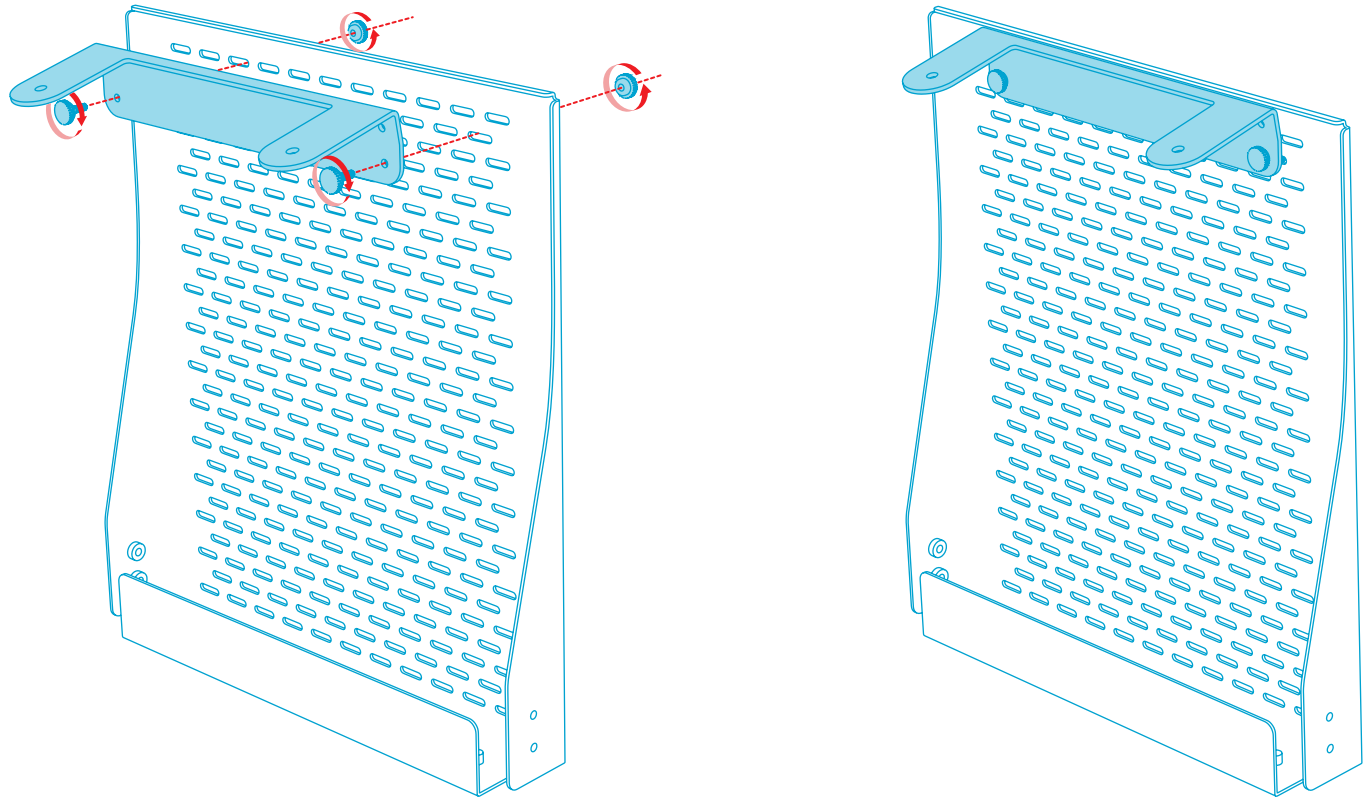
Install Rally Bar/Rally Bar Mini

**Install above the display**

Install below the display

Install Tap

Organize the cables

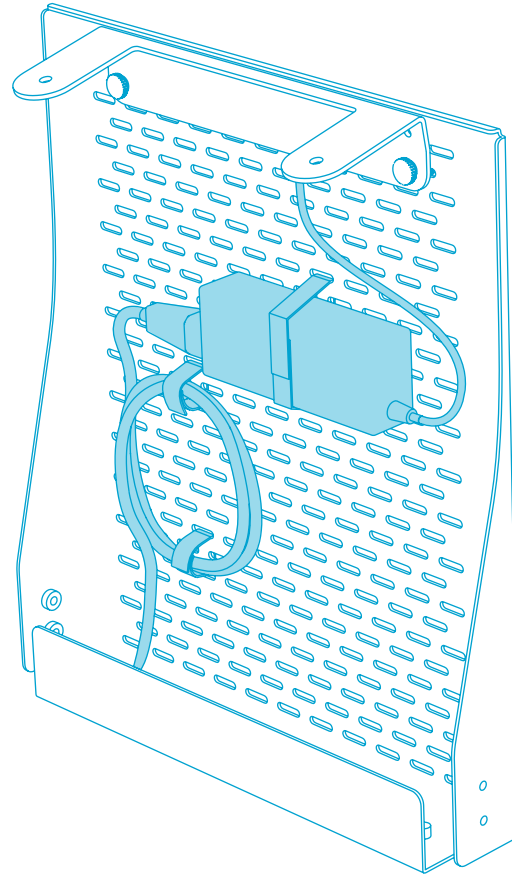


## STEP 14

Pre-configure power adapter and wiring to Device Panel with Velcro strap included.



From H702



In the box

Assemble the cart base

Install the display

Install Rally Bar/Rally  
Bar Mini

**Install above the display**

Install below the display

Install Tap

Organize the cables

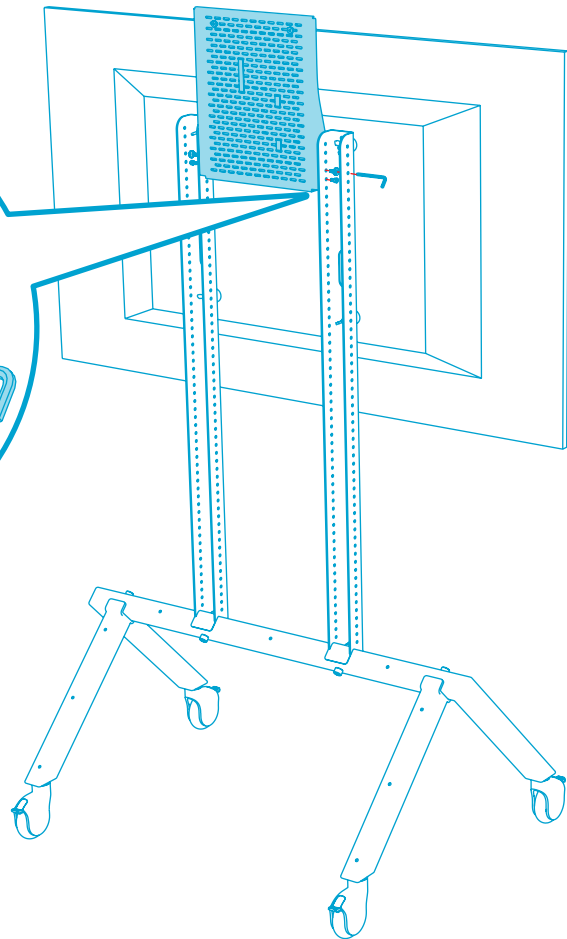
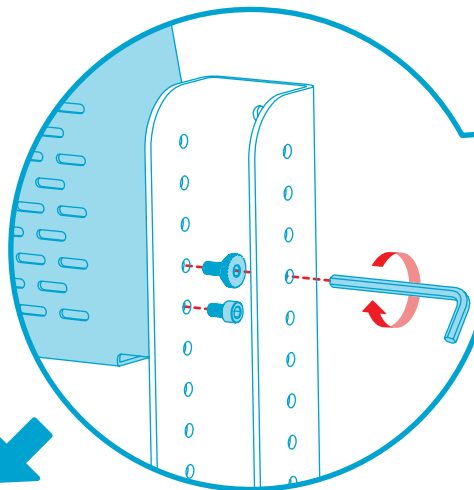
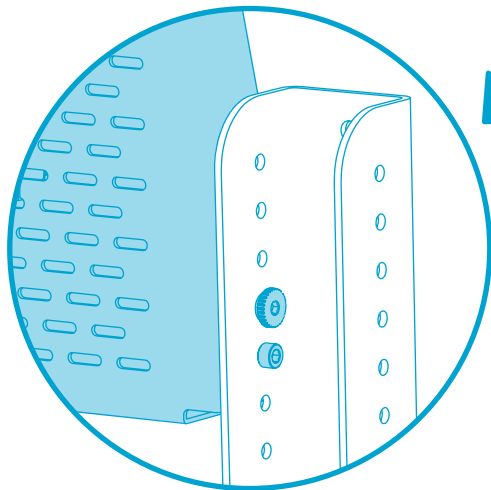


## STEP 15

### Install Device Panel to Display Rails.



From H702 From H702 From H702



In the box

Assemble the cart base

Install the display

Install Rally Bar/Rally Bar Mini

Install above the display

Install below the display

Install Tap

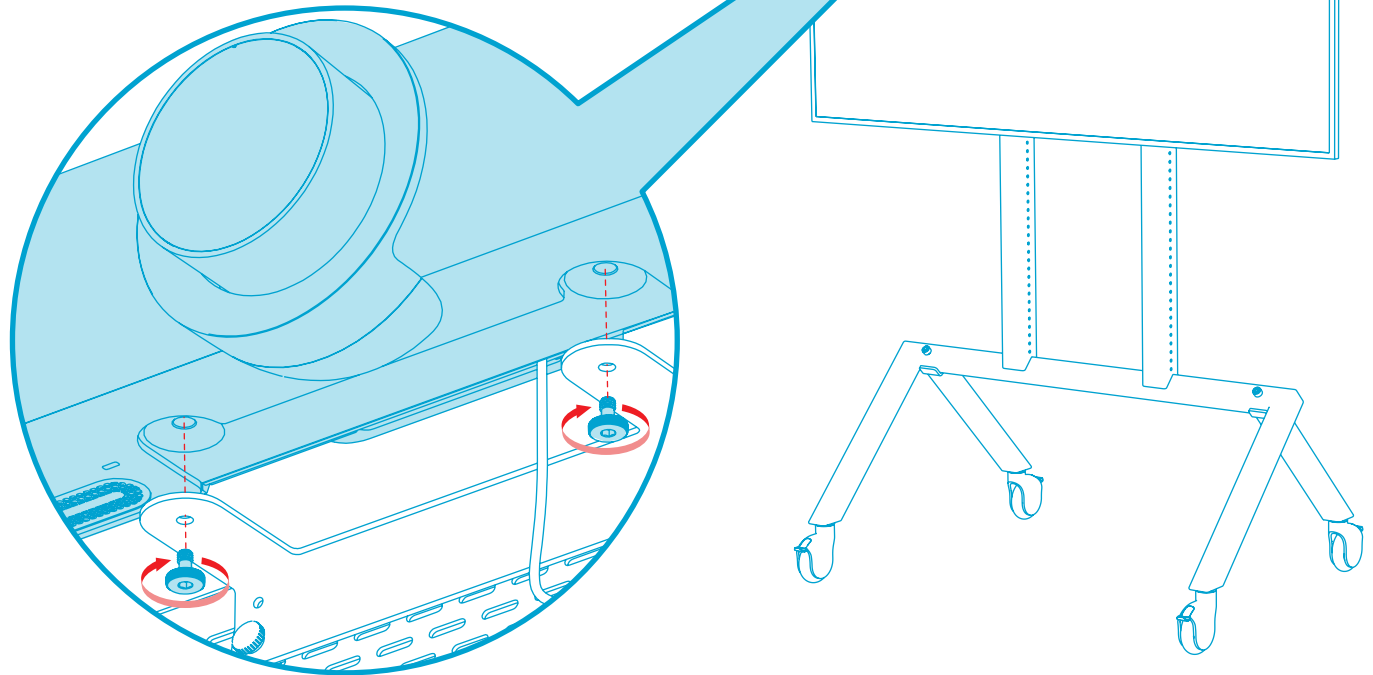
Organize the cables

## STEP 16

Fasten Rally Bar to Cart Mount.

Use the thumbscrews supplied with your Rally Bar tabletop stand.

**Do not overtighten the thumbscrews.**



In the box

Assemble the cart base

Install the display

Install Rally Bar/Rally Bar Mini

**Install above the display**

Install below the display

Install Tap

Organize the cables

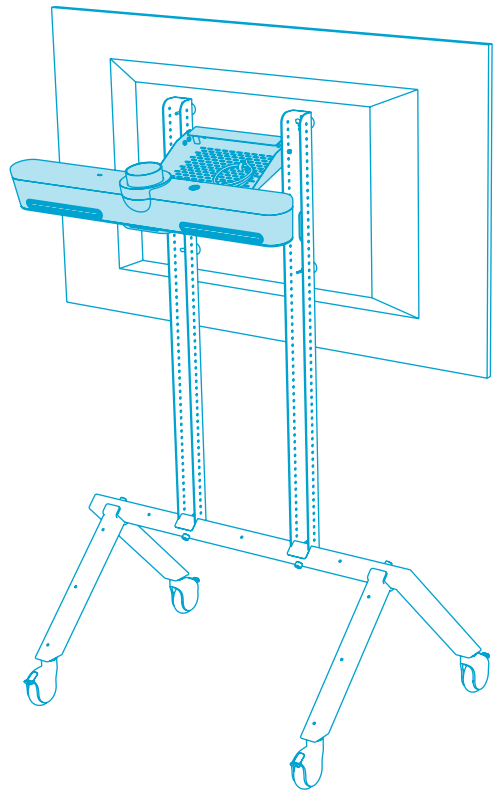
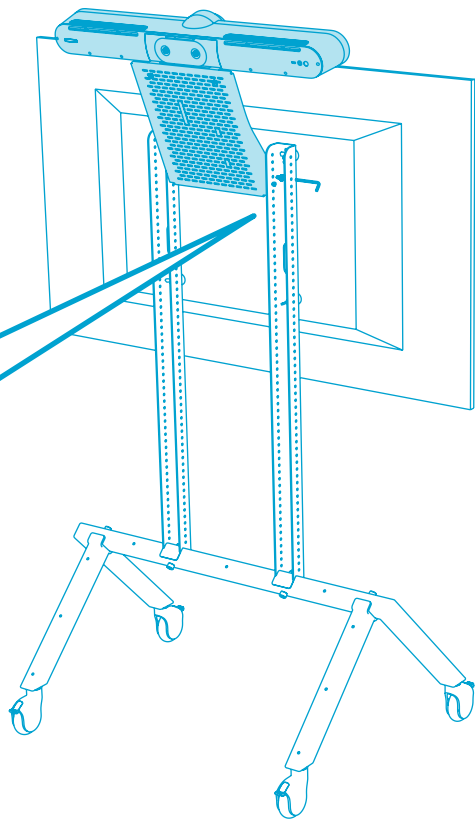
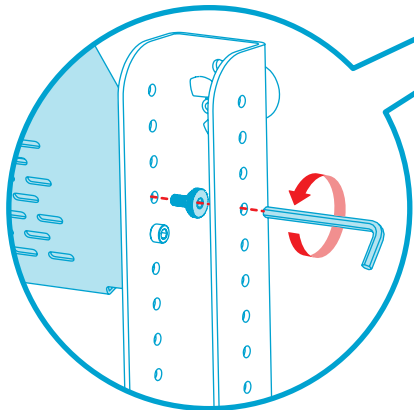
## TIP: Accessing Control Panel Content

Remove the top two thumbscrews, then rotate the Device Panel.



From H702

**Warning:**  
Do not leave the cart  
unattended while the Device  
Panel is open to ensure  
stability and to avoid collisions.



**Continue to Page 30.**

In the box

Assemble the cart base

Install the display

Install Rally Bar/Rally  
Bar Mini

Install above the display

Install below the display

Install Tap

Organize the cables

# Mount Rally Bar/Rally Bar Mini below display.

## STEP 13

Install Cart Mount Bracket to the Device Panel.



From H711



From H711

In the box

Assemble the cart base

Install the display

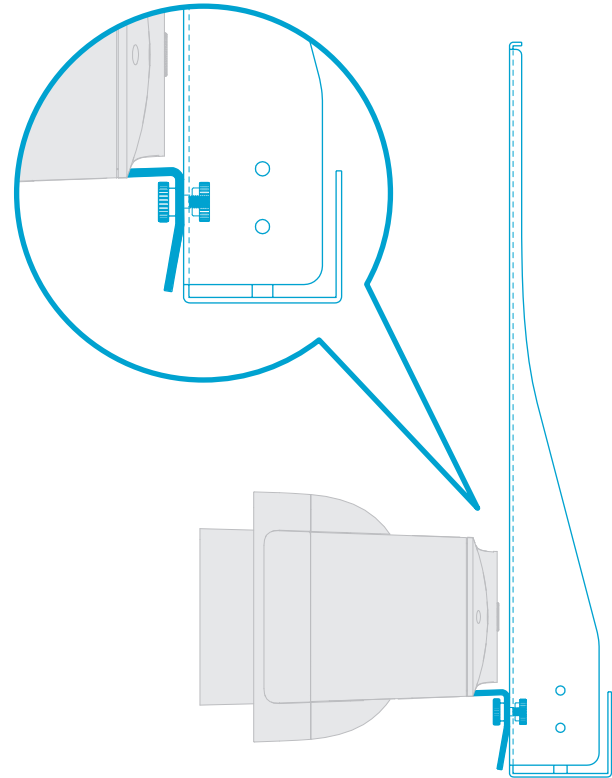
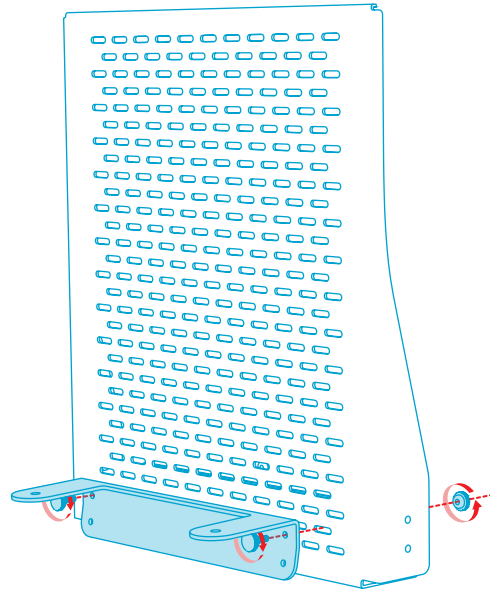
Install Rally Bar/Rally Bar Mini

Install above the display

**Install below the display**

Install Tap

Organize the cables



In the box

Assemble the cart base

Install the display

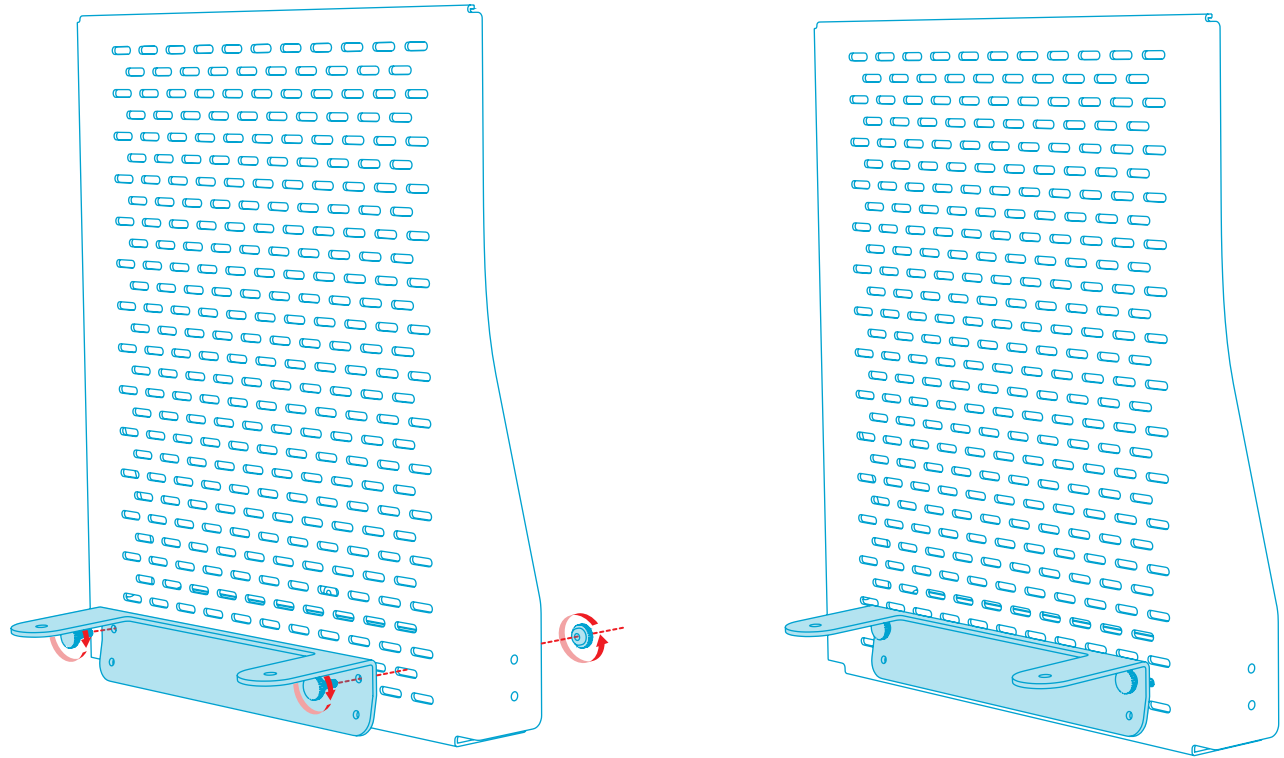
Install Rally Bar/Rally  
Bar Mini

Install above the display

**Install below the display**

Install Tap

Organize the cables

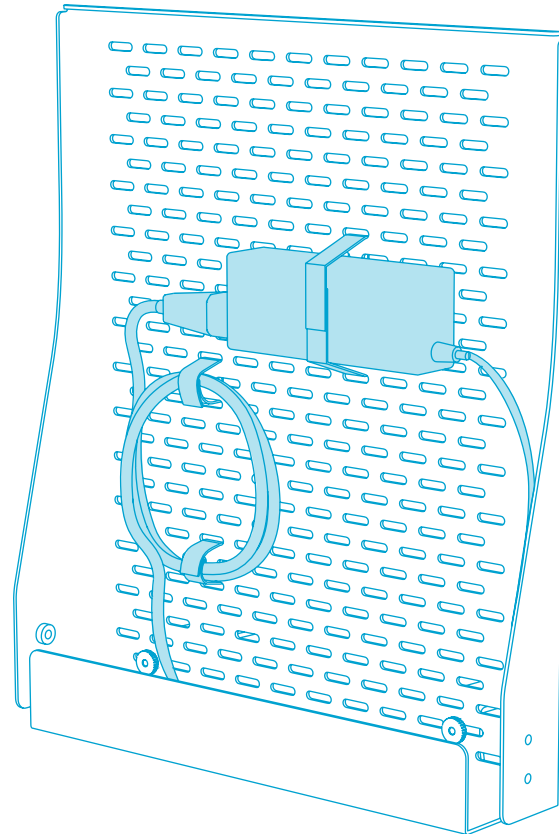


## STEP 14

Pre-configure power adapter and wiring to Device Panel with Velcro strap included.



From H702



In the box

Assemble the cart base

Install the display

Install Rally Bar/Rally  
Bar Mini

Install above the display

**Install below the display**

Install Tap

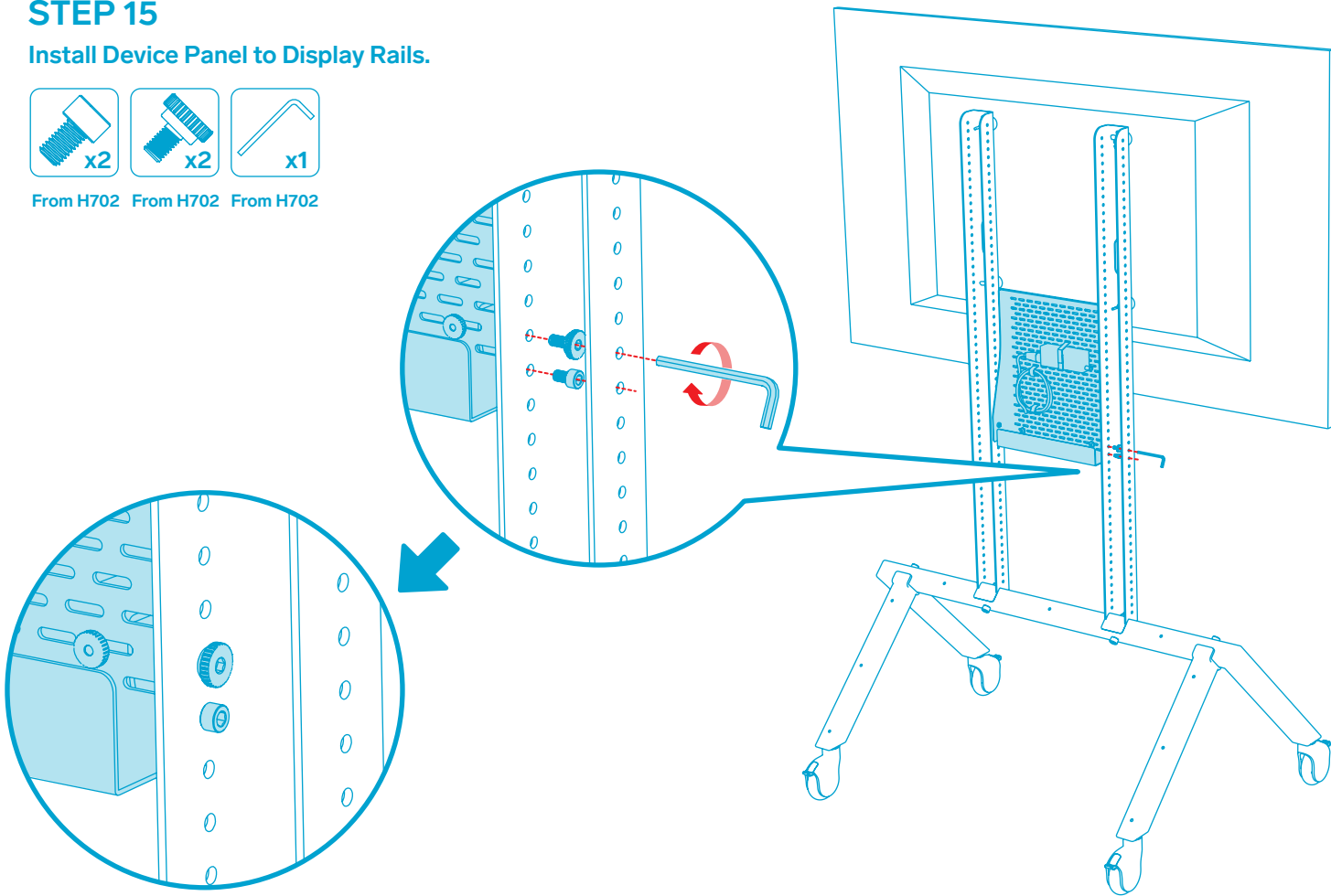
Organize the cables

## STEP 15

### Install Device Panel to Display Rails.



From H702 From H702 From H702



In the box

Assemble the cart base

Install the display

Install Rally Bar/Rally Bar Mini

Install above the display

**Install below the display**

Install Tap

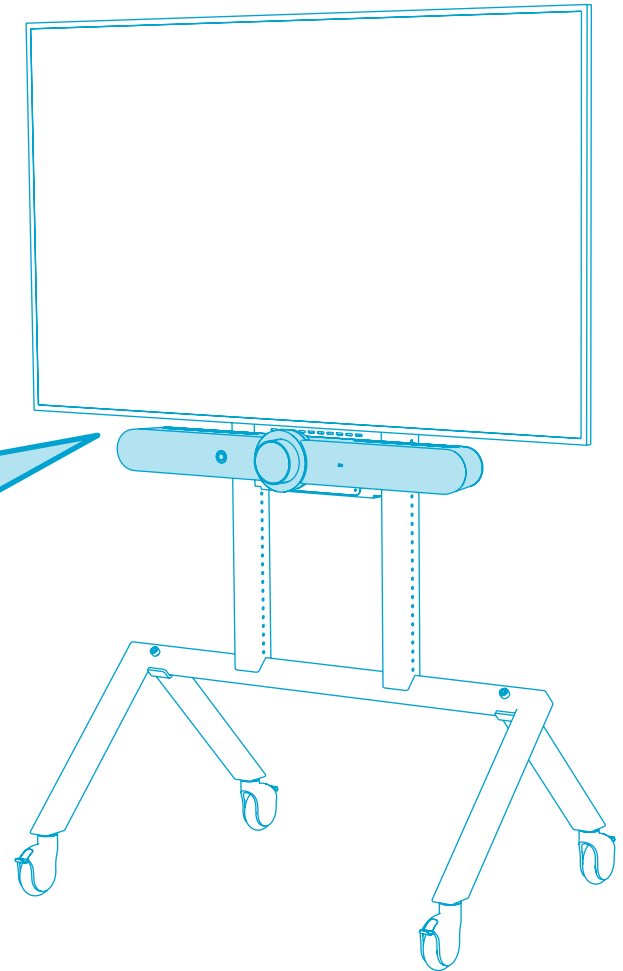
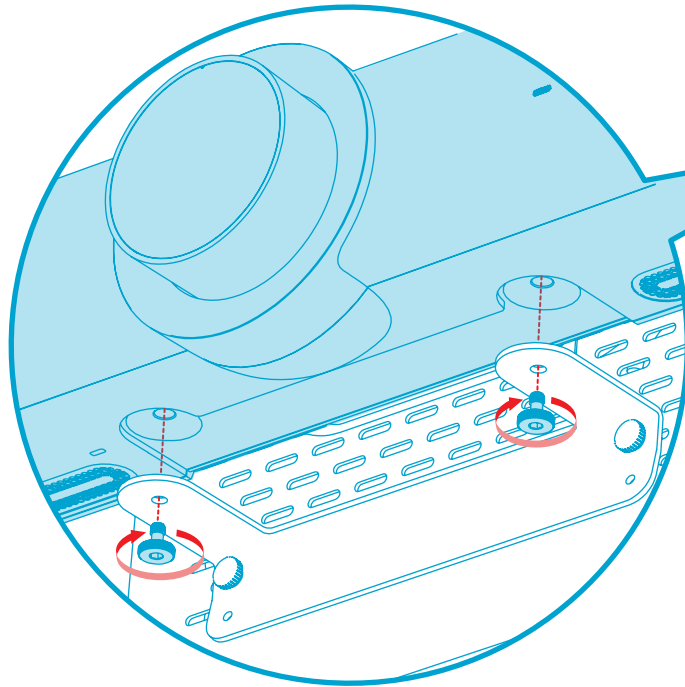
Organize the cables

## STEP 16

Fasten Rally Bar to Cart Mount.

Use the thumbscrews supplied with your Rally Bar tabletop stand.

**Do not overtighten the thumbscrews.**



In the box

Assemble the cart base

Install the display

Install Rally Bar/Rally Bar Mini

Install above the display

Install below the display

Install Tap

Organize the cables



## STEP 17

Mount Tap to Control Shelf, using the mounting screws included inside of Tap's underside panel.

In the box

Assemble the cart base

Install the display

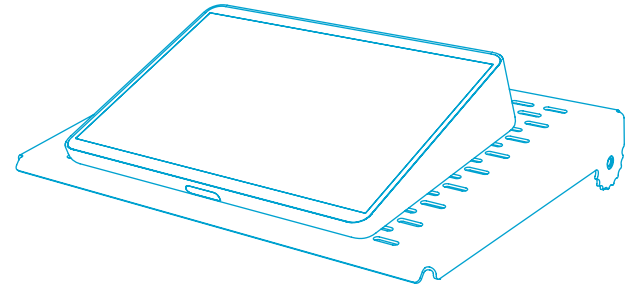
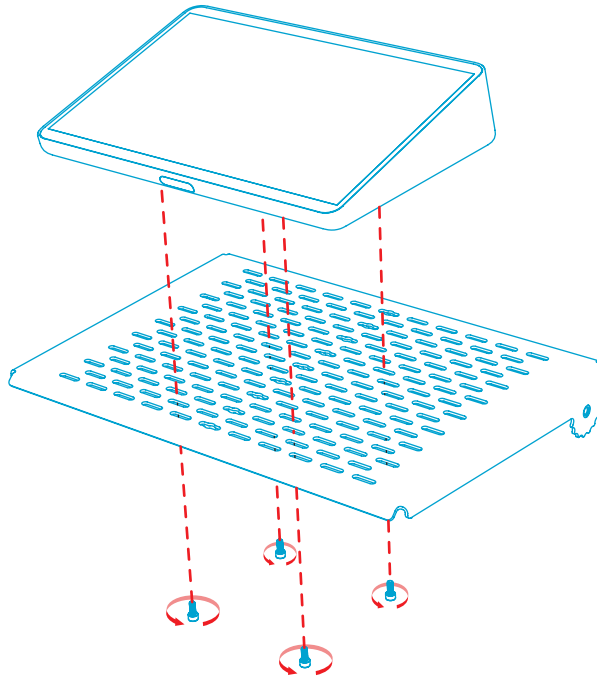
Install Rally Bar/Rally Bar Mini

Install above the display

Install below the display

**Install Tap**

Organize the cables



## STEP 18

Decide Tap mounting angle.

In the box

Assemble the cart base

Install the display

Install Rally Bar/Rally Bar Mini

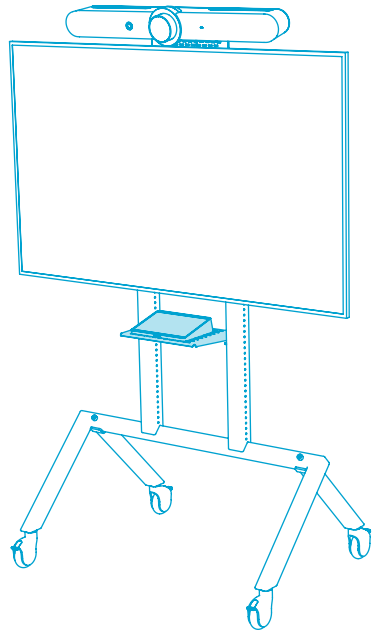
Install above the display

Install below the display

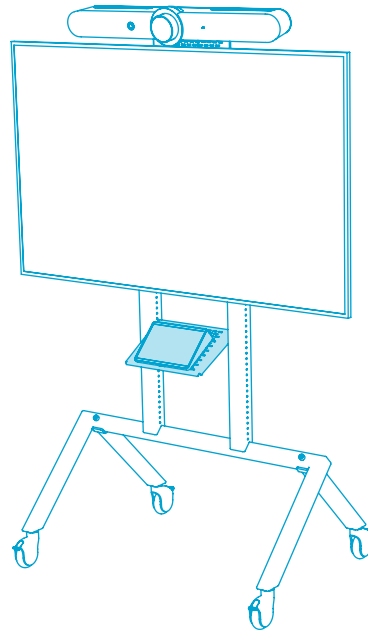
Install Tap

Organize the cables

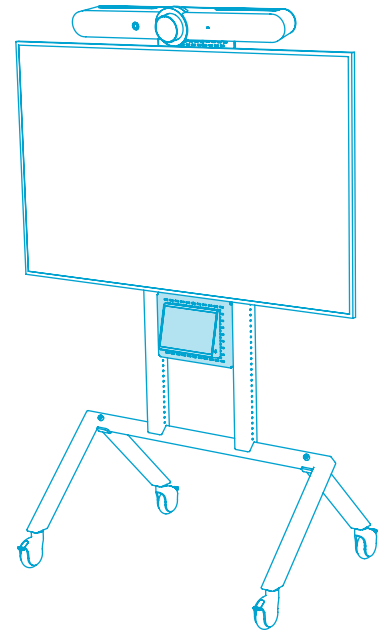
Horizontal



Angled

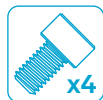


Vertical



## STEP 19

### Install Control Shelf to Display Rails.



From H709



From H709



From H709

In the box

Assemble the cart base

Install the display

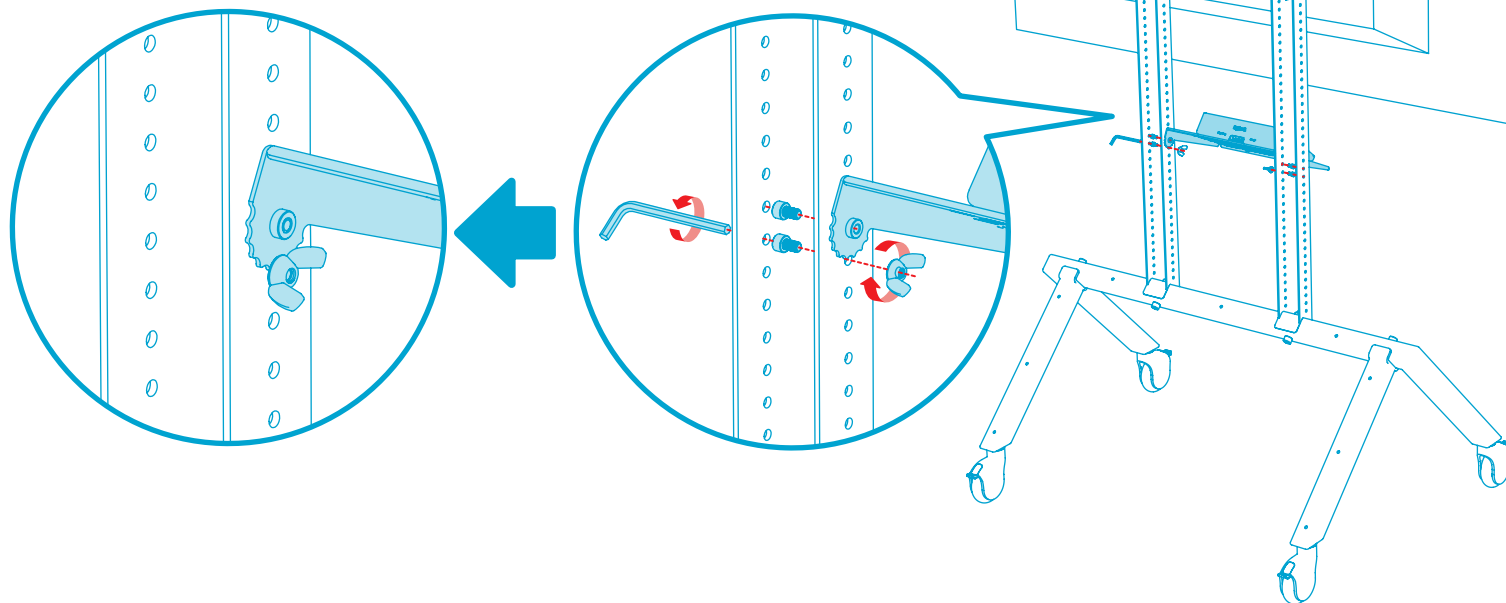
Install Rally Bar/Rally Bar Mini

Install above the display

Install below the display

Install Tap

Organize the cables



## STEP 20

Route power and data cables inside each Display Rail as shown.



In the box

Assemble the cart base

Install the display

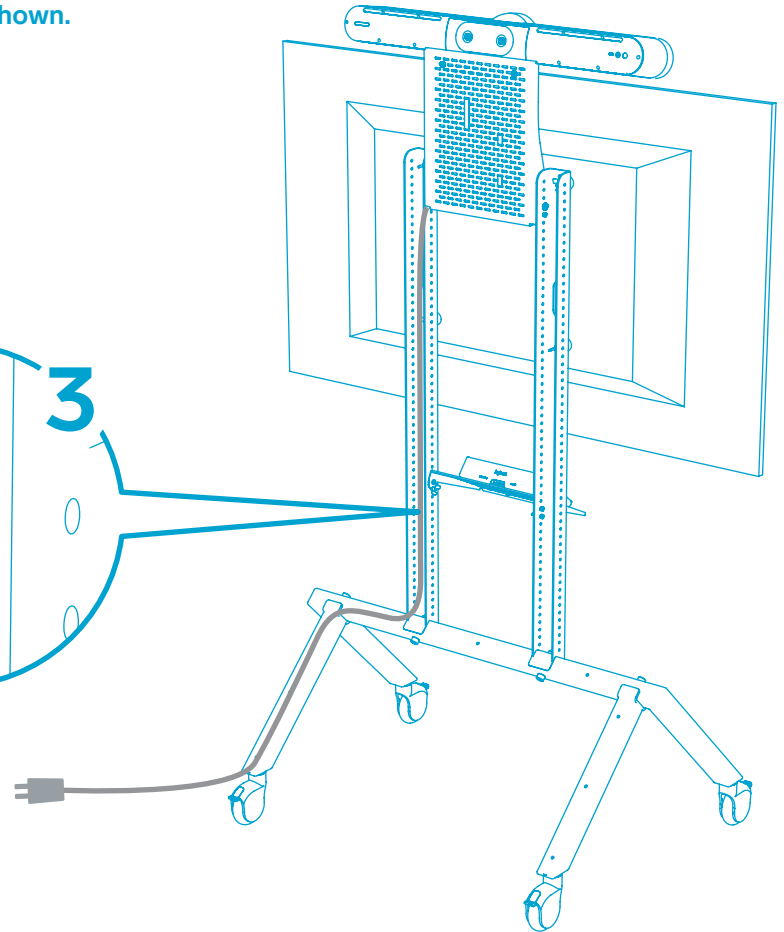
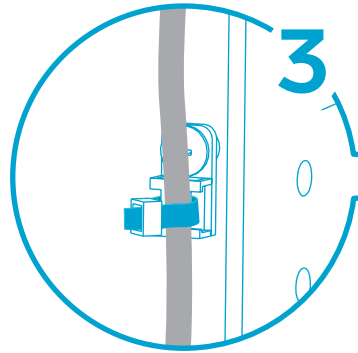
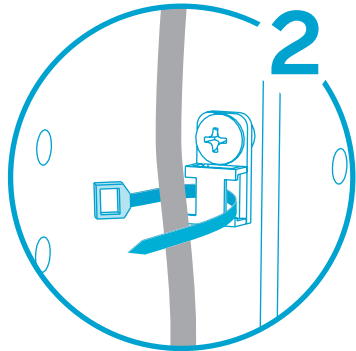
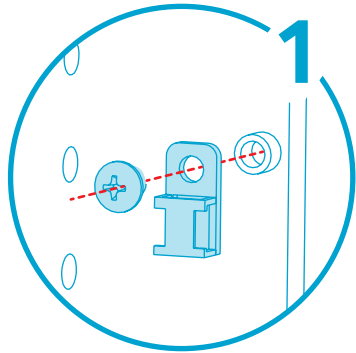
Install Rally Bar/Rally Bar Mini

Install above the display

Install below the display

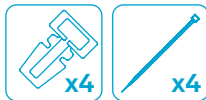
Install Tap

Organize the cables



## STEP 21

Route power and data cables along the Rear Leg as shown.



In the box

Assemble the cart base

Install the display

Install Rally Bar/Rally Bar Mini

Install above the display

Install below the display

Install Tap

Organize the cables

