

MSpeaker II

Introduction

Yealink MSpeaker II is specially designed for video conferencing room, to award you a better sound in a meeting room. It has two built-in speakers, providing powerful output to cover middle even large meeting room. Working with Yealink microphone and Yealink Noise Proof Technology, it brings a crystal and vivid audio experience to everyone.

MSpeaker II supports PoE, which enables simple and easy deployment, in this way, power supply, audio data transmission and signal control unifies as one, sharply reducing the complex installation procedures as well as the costly expenses. And MSpeaker II also supports 3.5mm AUX input to be compatible with more video conferencing solution.



Specification

Parameter	Description
Audio Output	<ul style="list-style-type: none">· Stereo speakers· Frequency respond: 100Hz-20KHz· S/N: ≥ 70dB· RMS: 10W· 87db @ 1m
Audio Input	<ul style="list-style-type: none">· 1 x VCH (RJ45), supports PoE (802.3af)· 1 x 3.5mm Line-in
Other Interfaces	<ul style="list-style-type: none">· Built-in Bluetooth (for future use)· Power Input:<ul style="list-style-type: none">- DC 48V/0.7A- PSE 54V $\overline{\text{---}}$0.56A or PoE 48V $\overline{\text{---}}$0.27A

Physical Features	<ul style="list-style-type: none"> · Dimension (W.D.H): 500 mm x 60 mm x 86 mm · Operating humidity: 5 - 90% · Operating temperature: 0 - 40°C
Package Content	<ul style="list-style-type: none"> · MSpeaker II · Power Adapter · 3 m audio cable (3.5 mm) · Wall Mount Bracket · Quick Start Guide

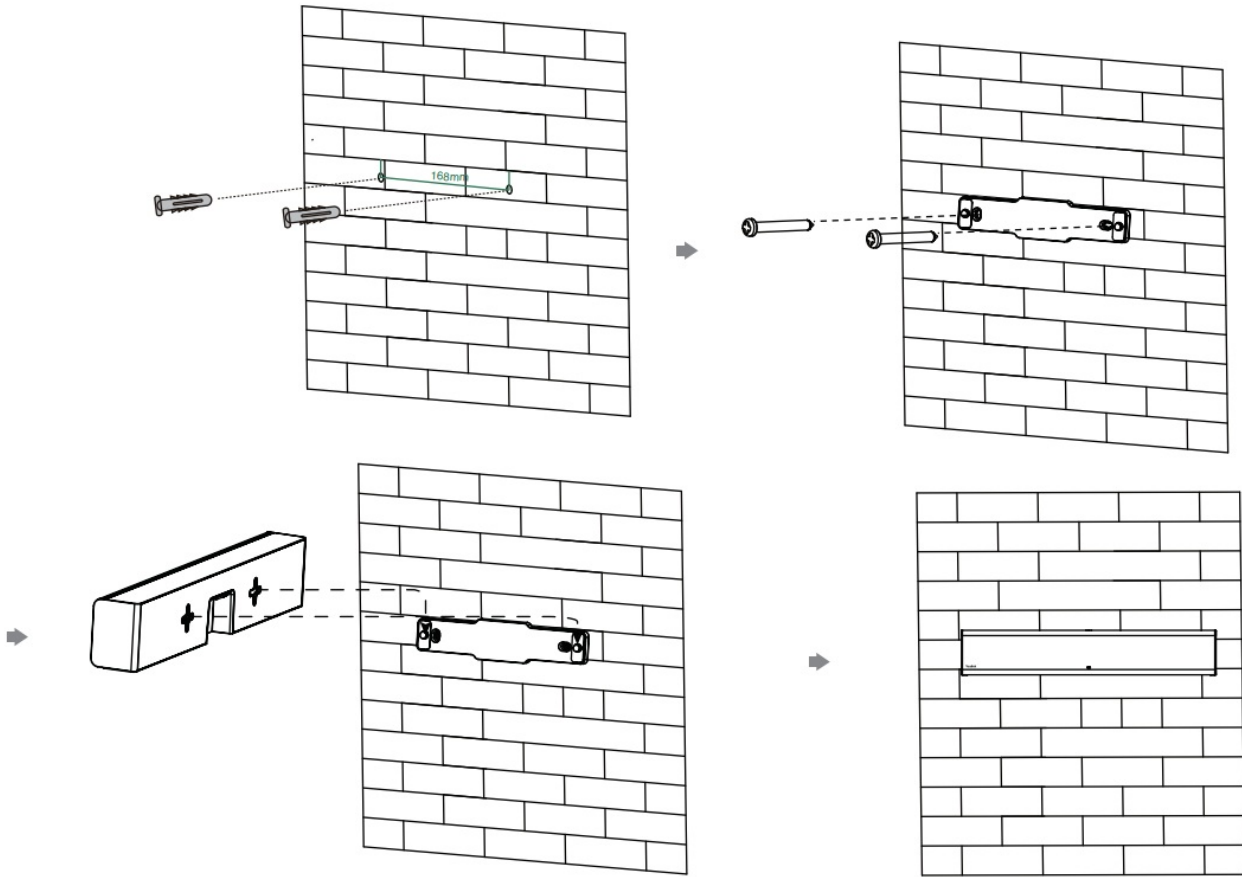
Device Compatibility

The maximum number of MSpeaker II microphones supported by the conferencing room endpoint is as follows:

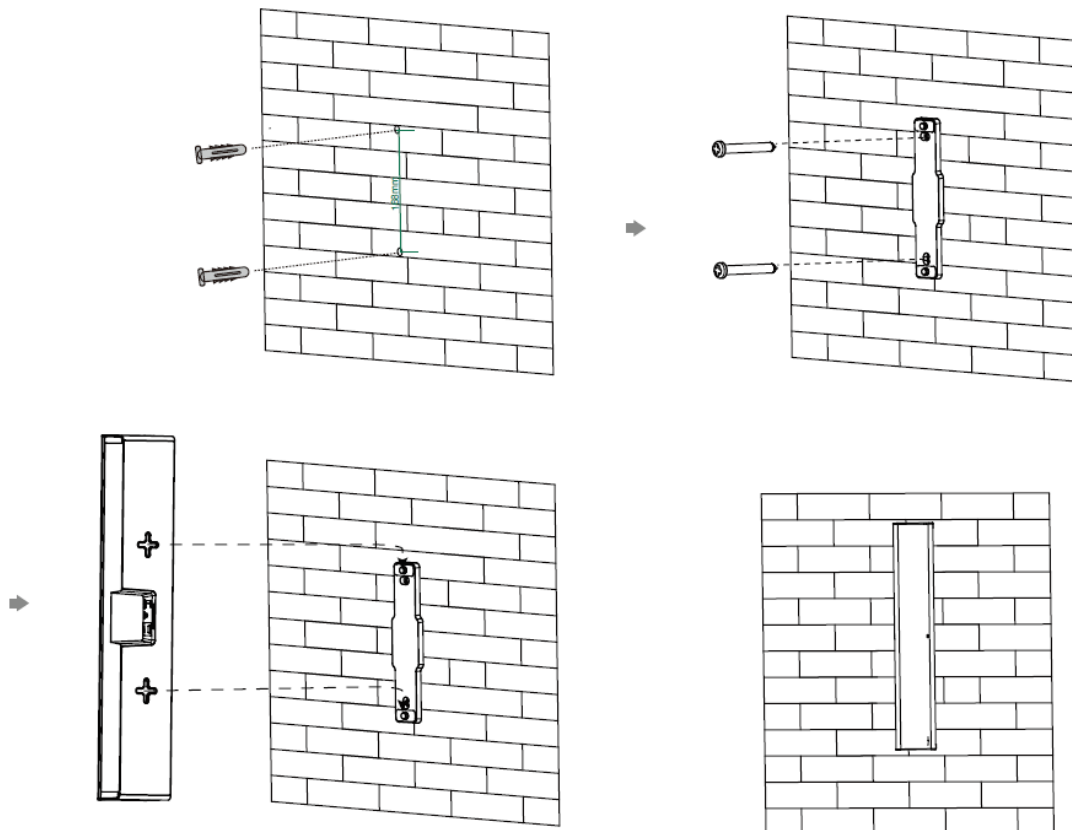
Device Name	Max. number of MSpeaker II supported
MeetingBar A10, MeetingBar A20, MeetingBar A30	×
MVC960, MVC940, MVC900	Support pairing/using up to 4 at a time
MVC860-BASE KIT, MVC860, MVC840-BASE KIT, MVC840, ZVC840, ZVC860	Support pairing/using up to 4 at a time
MVC640-Wireless	Support pairing/using up to 4 at a time
MVC660, MVC640-AI	×
MVC400, ZVC400	×
MVC320	×
MeetingBoard 65, MeetingBoard 86	×
DeskVision A24	×
MeetingEye 500	When connected to the VCH port, support pairing/using up to 2 When connected to the Line out port, there is no limitation on the number

Installation

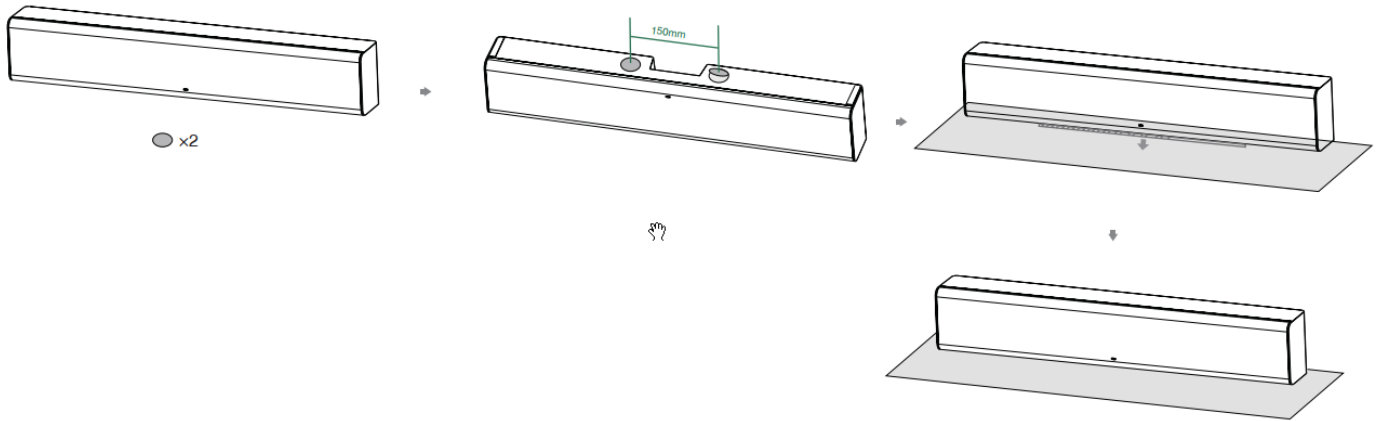
- **Mount Horizontally on the Wall**



• **Mount Vertically on the Wall**



• **Stick to the Table**



How to Use

MSpeaker II has different features when worked with different video conferencing endpoints. For more information, please refer to the corresponding documents.

Teams Version:

- Connect the MSpeaker II to MVC System: [MSpeaker II Soundbar](#)

Zoom Version:

- Connect the MSpeaker II to ZVC System: [MSpeaker II Soundbar](#)
- Connect the MSpeaker II to MeetingEye 500: [MSpeaker II Soundbar](#)

LED Indicator

LED Status	Description
Off	The device is power off.
Solid green	The device is active.
Fast flashing green	The device is pairing Bluetooth.
Slowly flashing green	The device connects to Bluetooth successfully.
Red and green flashing alternately for 2s	The device is in initialling.