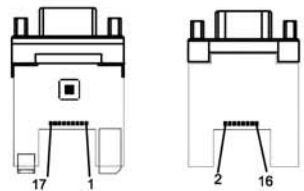
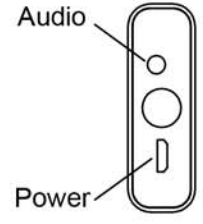
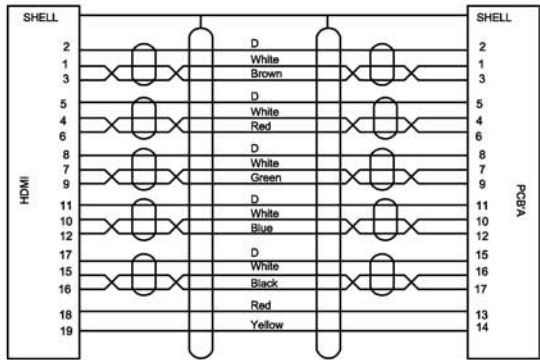
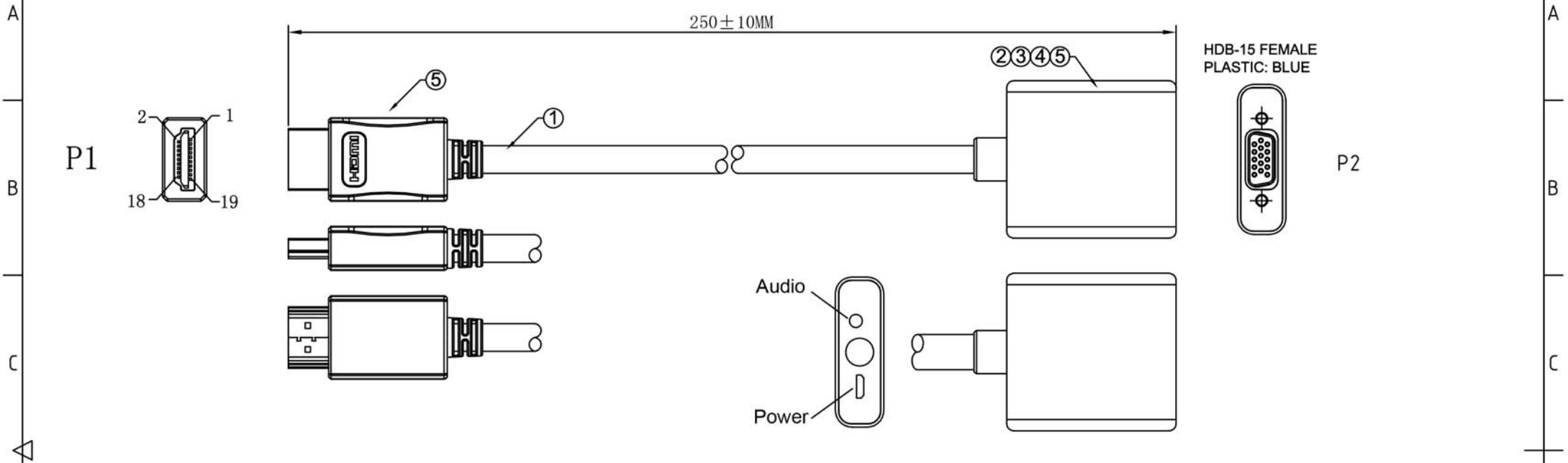


RoHS Compliant

RevNo	Revision note	Date	Signature	Checked
-------	---------------	------	-----------	---------



PCB'A  
IC : CH7101

1. ELECTRICAL  
MEET 1080P (1902 X 1080 @ 60HZ)
2. MEET ROHS & REACH COMPLIANCE

NO	NAME	SPECIFICATIONS	Q'TY	UNIT
5	Outer Mould	60P PVC Black	10.0	g
4	SHELL	VGA Black Shell, with Micro USB+Audio	1	Pc
3	COVER	VGA Black Cover	1	Pc
2	CONNECTOR	HDMI TO VGA(Blue Insulation)+Micro USB B/F PCB' A, Ni Plated Connector	1	Pc
1	CABLES	UL20276 [(34#*1P+D+AL+MY)*5P+*34#*5C+AL+B16/10/0.08TC], JACKET PVC BLACK OD=4.80±0.15mm(NO MARKING)	0.2	M

L'temref	Quantity	Title/Name, designation, material, dimension etc			Article No./Reference	
Designed by	Checked by	Approved by - date	File name	Date	Scale	
		Aug.07.2015	HDMI M/VGA F+AUDIO	Aug.07.2015	FREE	
ANGLE:				26-0703		
UNIT:MM				HDMI M/VGA F+AUDIO	Edition 1	Sheet 1/1