



FOR
LARGE
SCREENS

BTF845

SYSTEM X™

UNIVERSAL TWIN SCREEN VC STAND - 1.8M

The BTF845 is a premium mounting solution designed to mount two screens side by side for video conferencing applications. A heavy duty steel base eliminates the need to bolt to the floor and adjustable levelling feet are included to accommodate uneven surfaces. The high-end aesthetic with an anodised aluminium finish and integrated cable management ensures finished installations are neat and tidy, making the BTF845 ideal for use in corporate environments.

SPECIFICATION

Recommended screen size	47" - 55"*
Max load	25kg (per screen)
VESA® & non-VESA fixings (as standard)	up to 400mm**
VESA® & non-VESA fixings (with included adaptors)	up to 600 x 400mm**
Dimensions	W: 1754mm H: 1841mm D: 604mm
Colour (column)	Black or Silver
Colour (rail)	Silver
Colour (base & arms)	Black

*Please note the maximum compatible screen width is 1318mm.

**As standard the maximum fixing dimension is 400mm. Increase the horizontal fixing to 600mm using the included interface adaptor arms.

FEATURES

- Universal design suitable for two screens mounted side by side
- High-end aesthetic quality
- Includes VC shelf which can be fixed above or below the screens
- Heavy duty steel base construction provides stability, eliminating the need to bolt to the floor
- Can also be bolted to the floor to help prevent unauthorised relocation of the display(s)
- Supplied with adjustable levelling feet to accommodate uneven floor surfaces
- Arms feature levelling screws to adjust the screen height
- Collar compatible accessories such as shelves (available separately) can be fitted directly to the column
- Integrated cable management for a neat and tidy installation
- Safety screws help prevent unauthorised screen removal
- Simple 'hook-on' screen installation, with all mounting hardware included

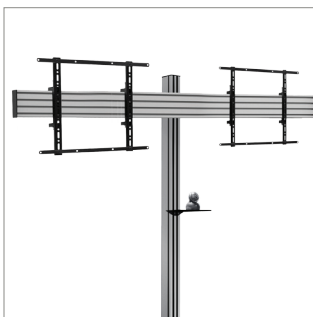


PER SCREEN

COLUMN

RAIL

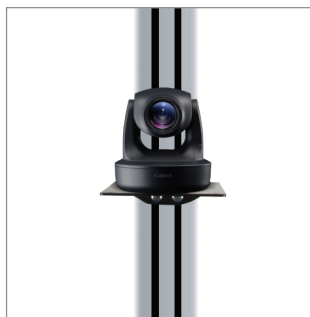
BASE / ARMS



Maximum VESA fixing can be increased to 600mm using the included adapter arms



Supplied with adjustable levelling feet to accommodate uneven floor surfaces

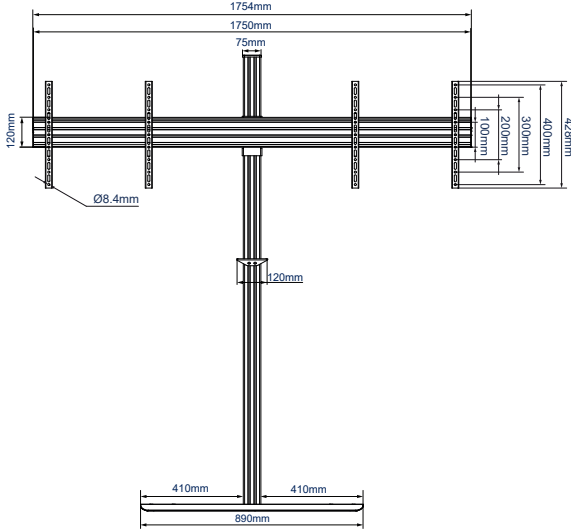


Includes VC shelf which can be fixed above or below the screens (VC camera sold separately)

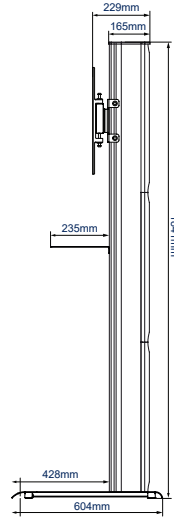


Integrated cable management for a neat and tidy installation

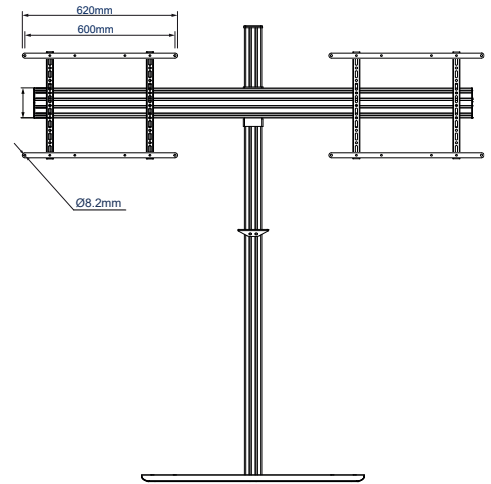




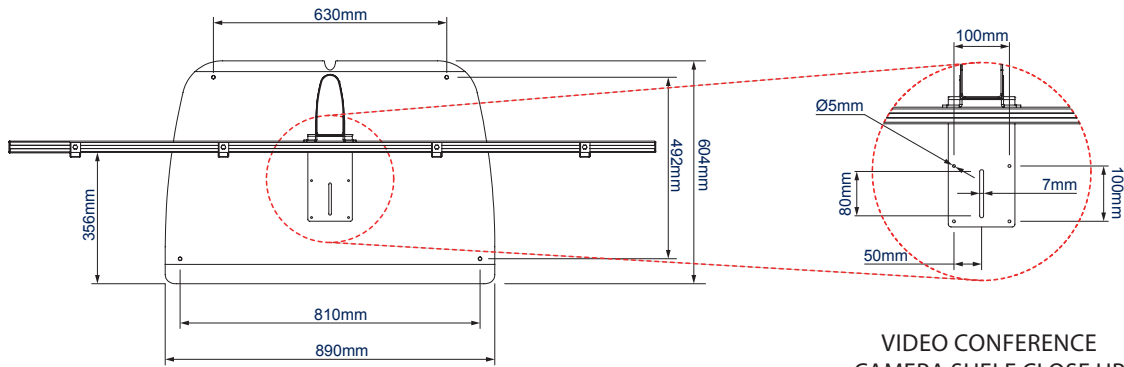
FRONT VIEW



SIDE VIEW



FRONT VIEW WITH ADAPTER ARMS



TOP VIEW

VIDEO CONFERENCE CAMERA SHELF CLOSE UP

PACKING INFORMATION

PLEASE NOTE, THIS IS A MULTI-BOX ITEM

COLOUR:	ORDER REF:	EAN CODE:
Black	BTF845/BB	5019318087646
Silver	BTF845/BS	5019318087653

ACCESSORIES AND RELATED PRODUCTS

BT7032



Large AV Accessory Shelf is ideal for adding AV accessories such as a Blu-Ray player or laptop to an installation or a wall

BT8390-VESA400T



VESA 400 Interface Arms designed to mount medium / large sized screens in a tilted position

BTF841



System X Dual Stack Floor Stand - 1.8m designed to mount two screens, one above the other, in portrait or landscape style

BTF844



System X Twin Screen VC Stand designed to mount two screens side by side in landscape orientation

© 2017 B-Tech Av Mounts. All rights reserved. This document is the property of B-Tech Av Mounts. The information in this document is subject to change without notice. B-Tech Av Mounts and B-Tech logo are registered trademarks of B-Tech International Design & Manufacturing Limited. All other trademarks are the property of their respective owners. B-Tech Av Mounts is not liable for loss or damage caused by improper or unauthorized installation, use or modification of any part of this specification. For more information visit www.btechavmounts.com or contact your local distributor. B-Tech Av Mounts is a registered company in the United Kingdom. B-Tech Av Mounts is a registered company in the United Kingdom. B-Tech Av Mounts is a registered company in the United Kingdom.