

## Technical specifications

Number of contacts	10
Degree of protection	IP65 / IP67
Inflammability class acc. to UL 94	V0
Mating cycles	≥ 500
Interface	according to IEC/PAS 61076-3-119
Termination with tool	Crimp 09 99 000 0175

Operating temperature -40 °C...+70 °C

Conductor cross section AWG24... 18  
0.25...0.82 mm<sup>2</sup>

Cable diameter 4.9...8.6 mm

Wire diameter ≤ 2.1 mm

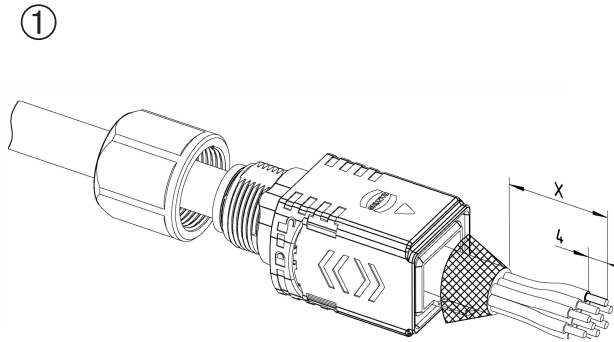
Contact included: 09670008278 DSUB  
FE CR KON AWG20-24 AFS2 EINZ

## Electrical specification

Rated voltage 50 V

Rated current 5 A

Errors and technical changes excepted.



X for UNSHIELDED cable: 25 - 27

X for SHIELDED cable: 22- 24

