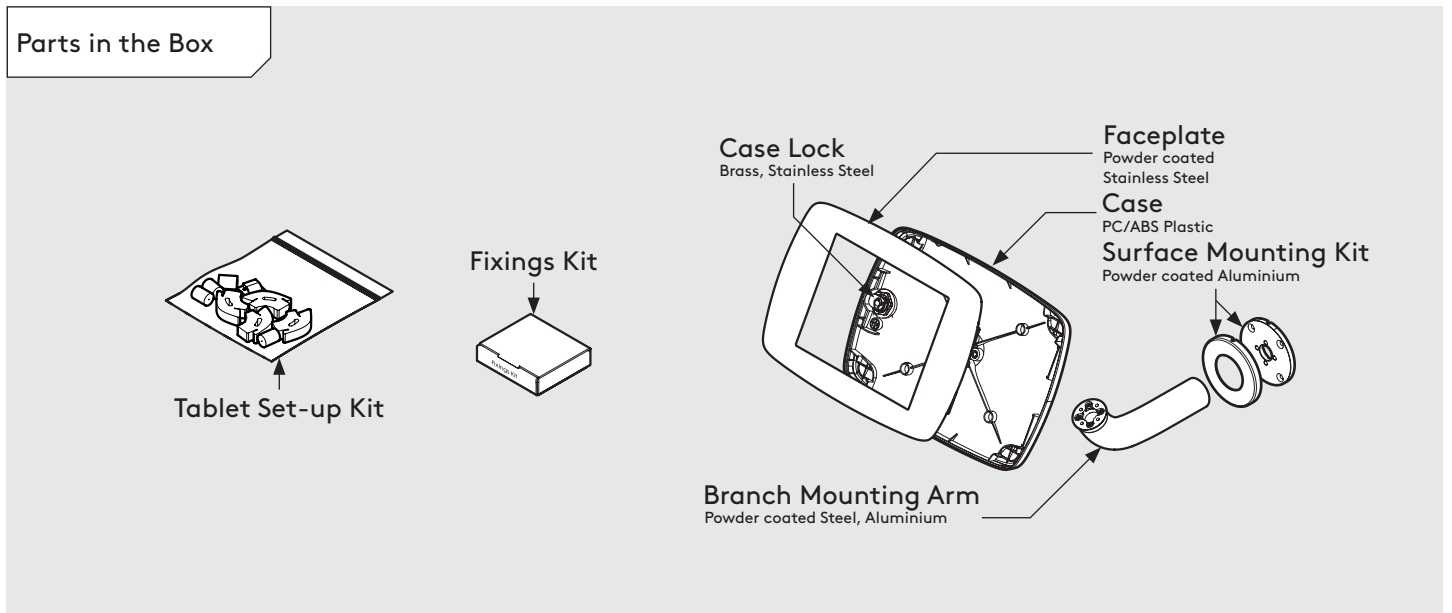
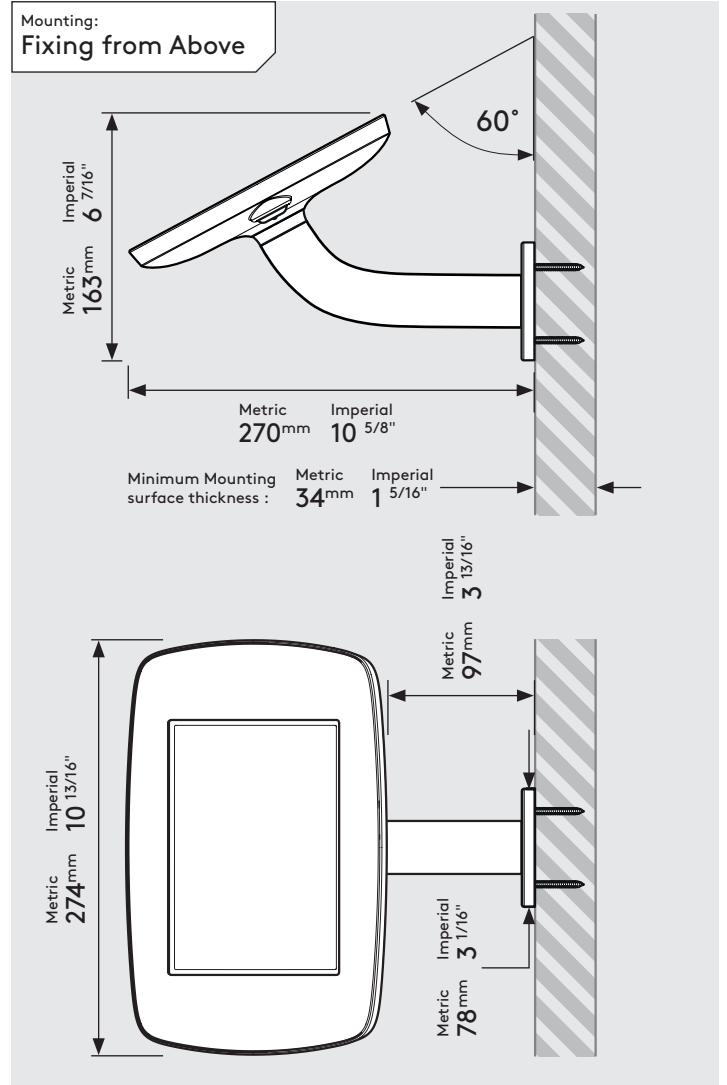
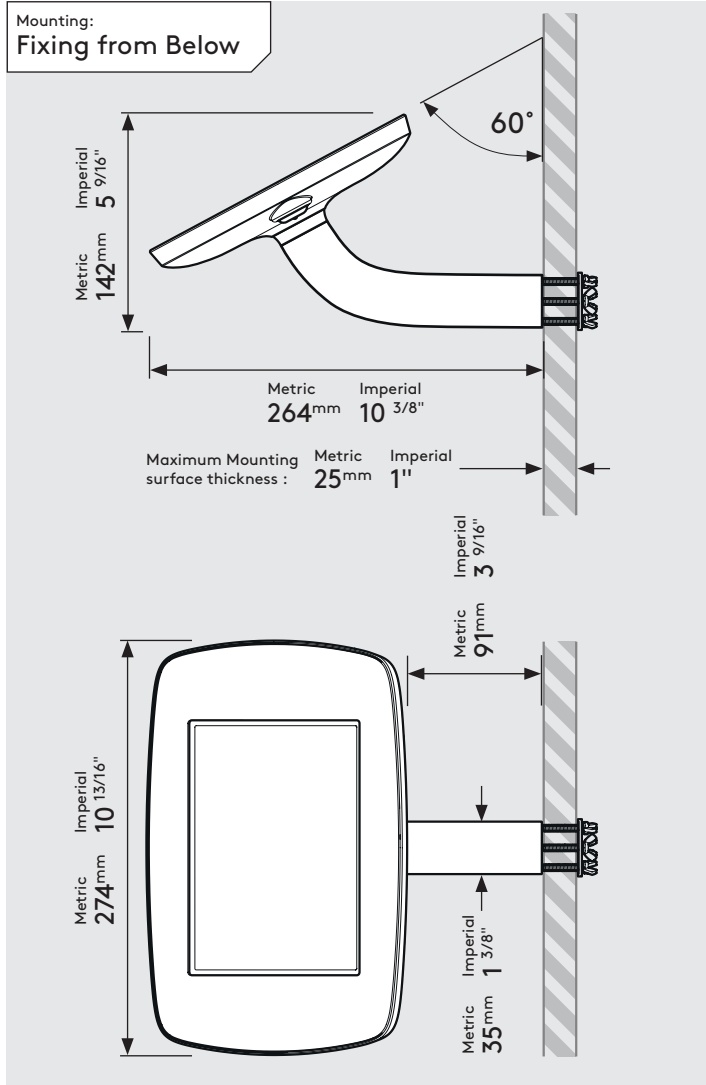


# PRODUCT DATA SHEET - BRANCH (MINI CASE)

**bouncepad®**

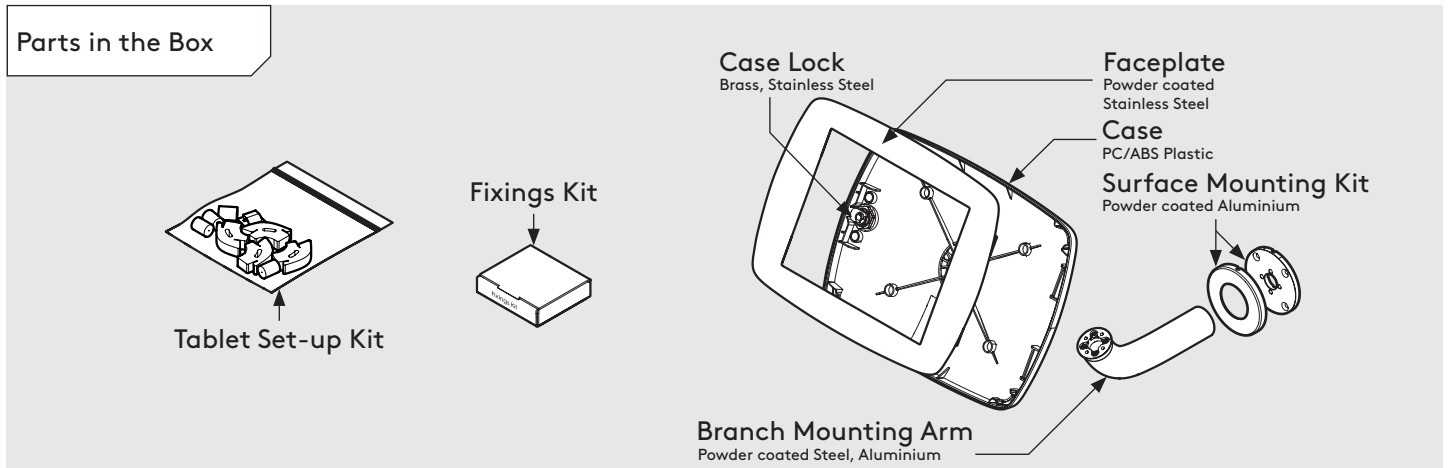
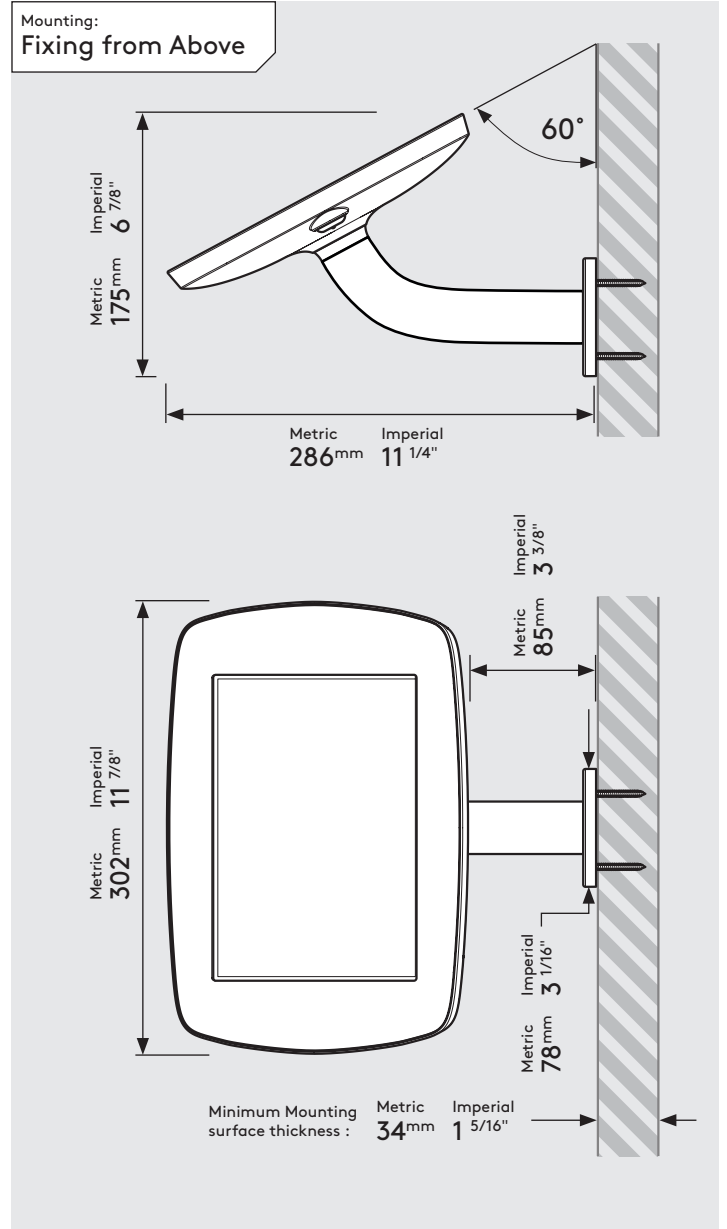
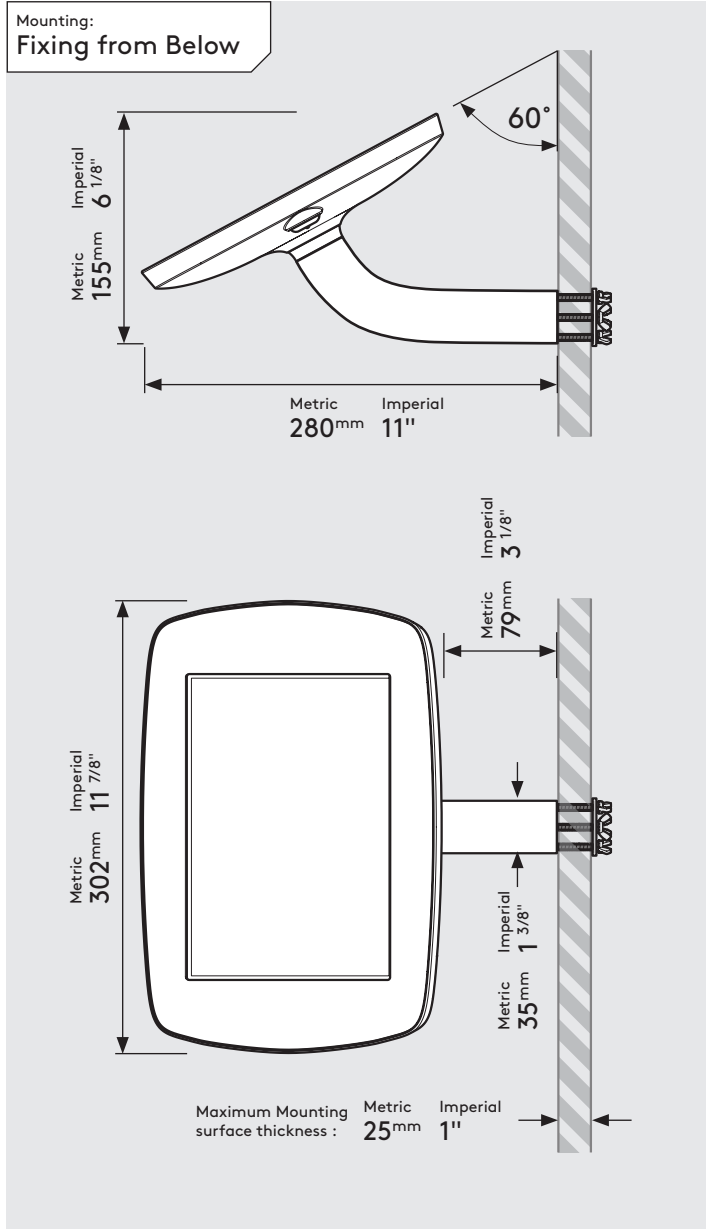
**Case:** Mini  
**Arm:** Branch  
**Mounting:** Fixing from Below  
 Fixing from Above  
**Packaged weight:** 1.71kg  
**Colour:** White  
 Black



# PRODUCT DATA SHEET - BRANCH (MIDI CASE)

**bouncepad**<sup>®</sup>

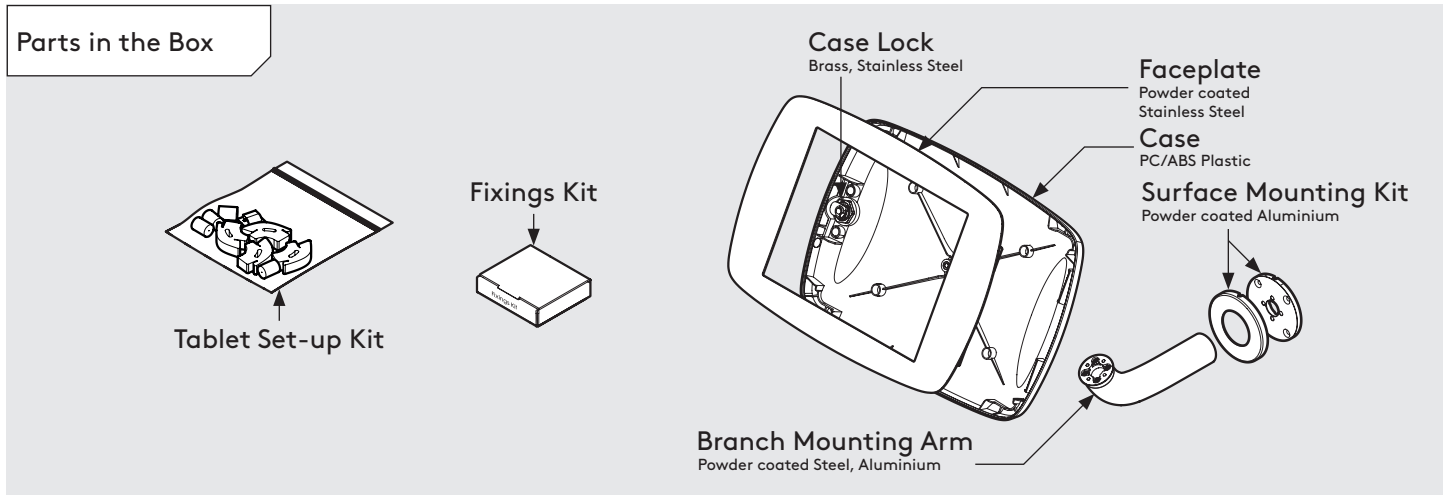
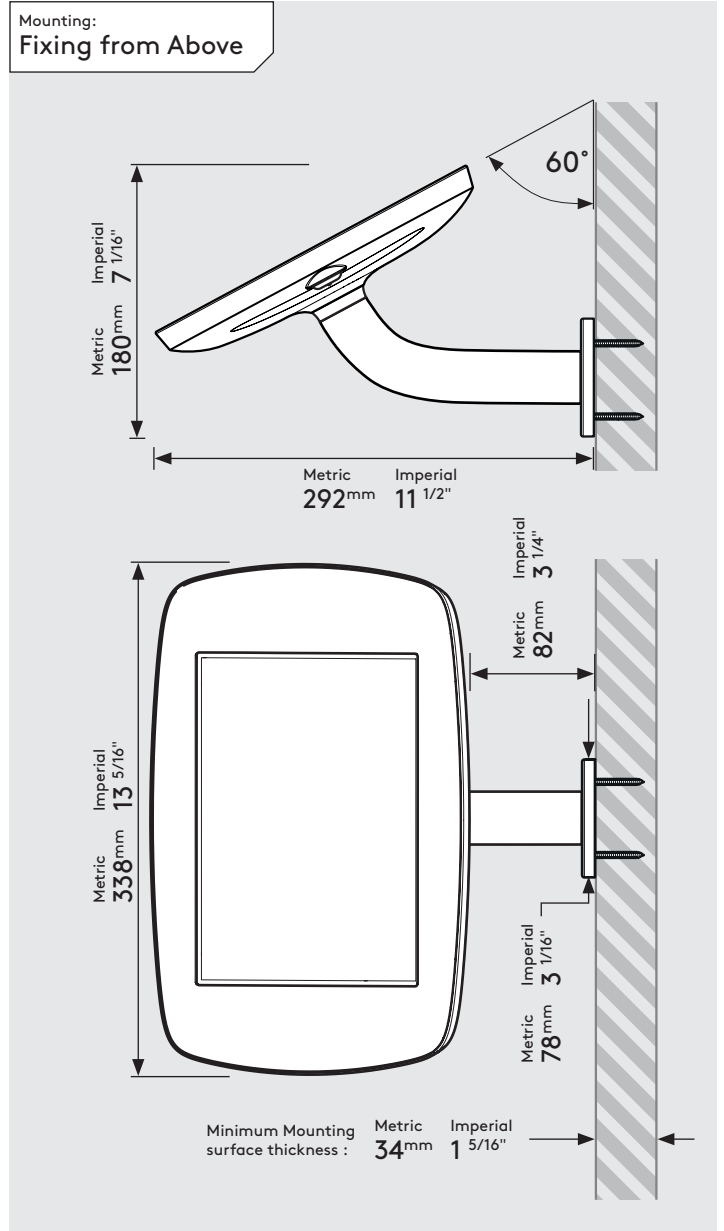
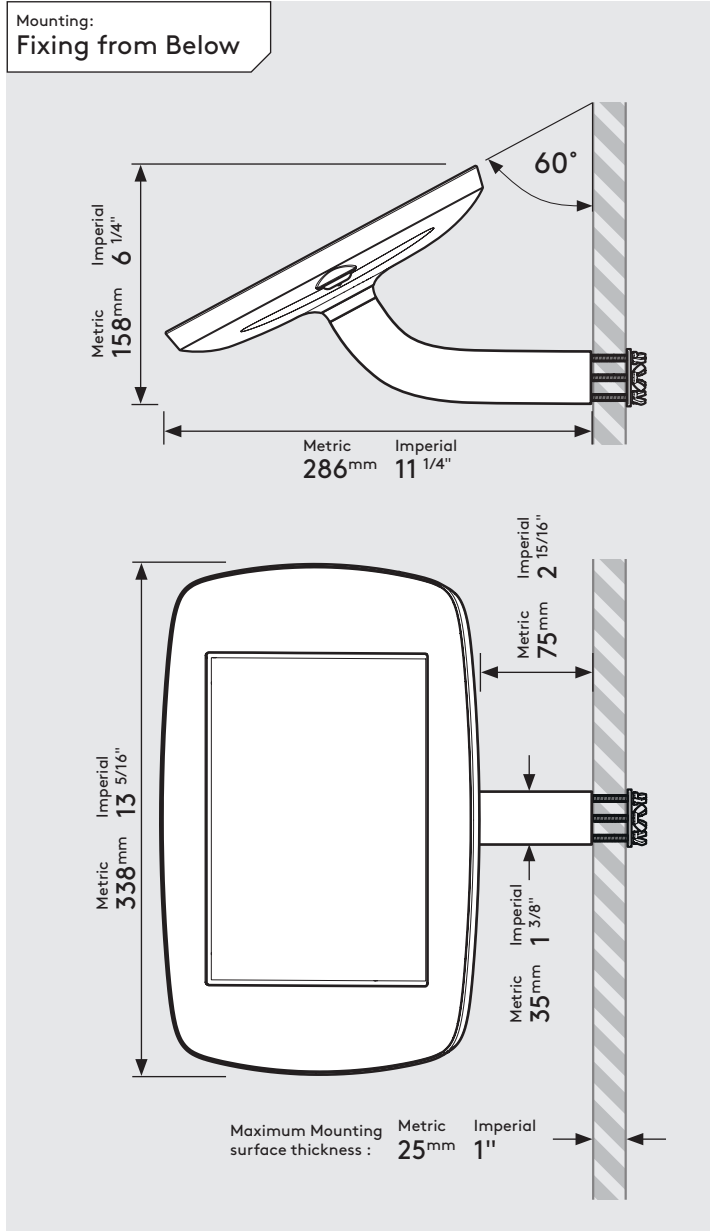
**Case:** Midi  
**Arm:** Branch  
**Mounting:** Fixing from **Below**  
 Fixing from **Above**  
**Packaged weight:** 1.89kg  
**Colour:** White  
 Black



# PRODUCT DATA SHEET - BRANCH (MAXI CASE)

**bouncepad®**

<b>Case:</b>	<b>Arm:</b>	<b>Mounting:</b>	<b>Packaged weight:</b>	<b>Colour:</b>
Maxi	Branch	Fixing from <b>Below</b>	2.12kg	White Black
		Fixing from <b>Above</b>		



# PRODUCT DATA SHEET - BRANCH (MEGA CASE)

**bouncepad®**

**Case:** Mega    **Arm:** Branch    **Mounting:** Fixing from Below  
 Fixing from Above    **Packaged weight:** 2.51kg    **Colour:** White  
 Black

