

ABL-875

SPECIFICATIONS

GENERAL

FUNCTIONALITY

Adjustment type None

INFORMATION

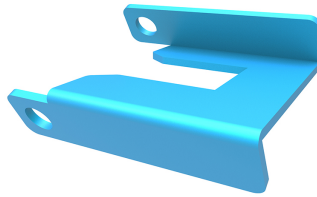
Main material Steel

Warranty 5 year

EAN code 8717371440916

*Please note: The inch sizes stated are just an indication, combined with the weight and VESA sizes. The maximum weight and VESA size are absolute restrictions for the products and should not be exceeded.

NEOMOUNTS CASTER BRAKE LOCK



Neomounts



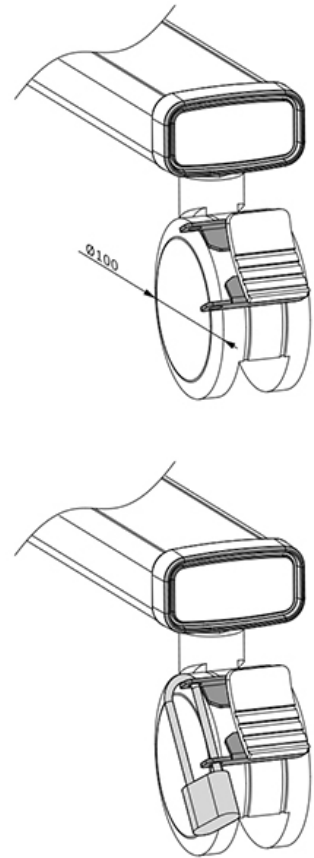
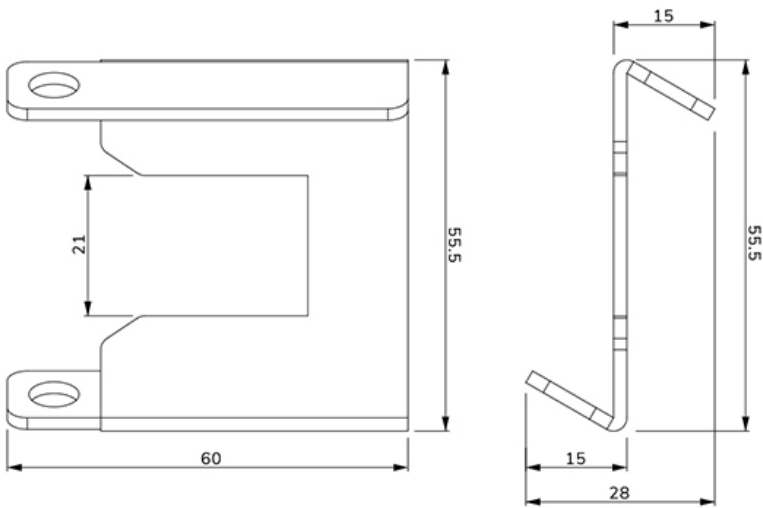
Neomounts

Neomounts ABL-875 caster brake lock for FL50S-825 and FL55-875 trolleys - Blue

The Neomounts ABL-875 is a brake lock for the castor wheels of the FL50S-825 and FL55-875 trolleys. To prevent unwanted relocation of the trolley, the brake of the double castor wheels can be blocked using the ABL-875. The locks can be easily placed on the wheels of the trolley (padlock not included), preventing the brake from being released. The bright blue color is a clear reminder for the user that the wheel have been locked. The ABL-875 comes as a set of 2 brake locks.

ABL-875

NEOMOUNTS CASTER BRAKE LOCK



Neomounts

Measuring unit: mm