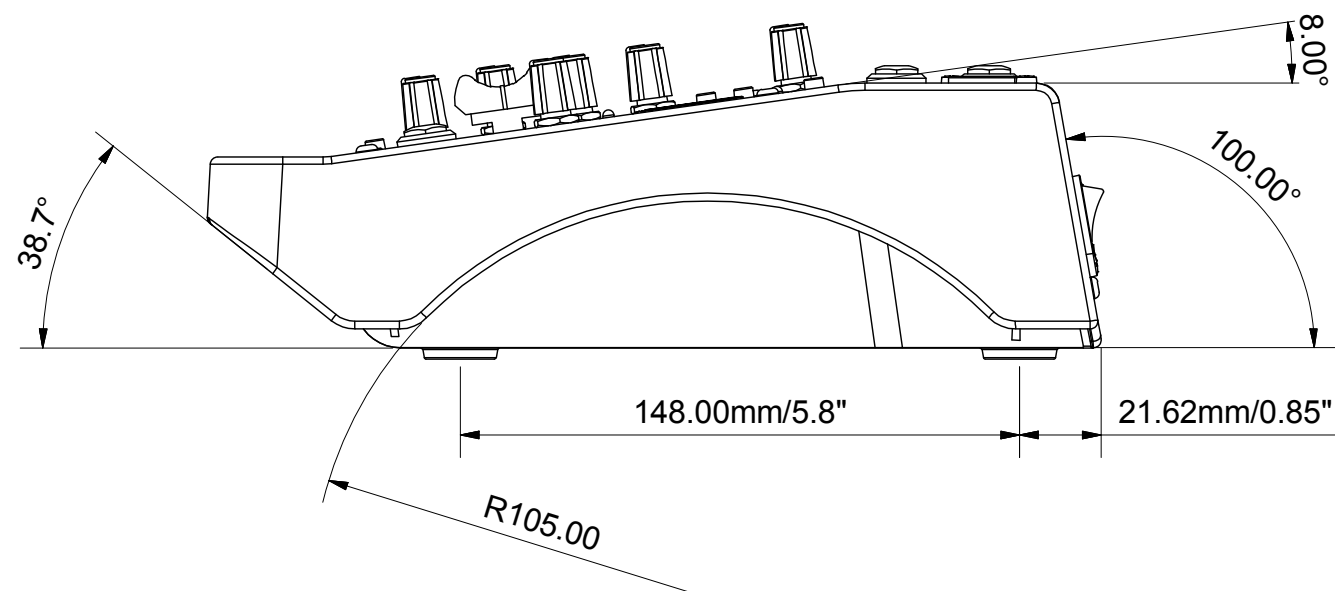
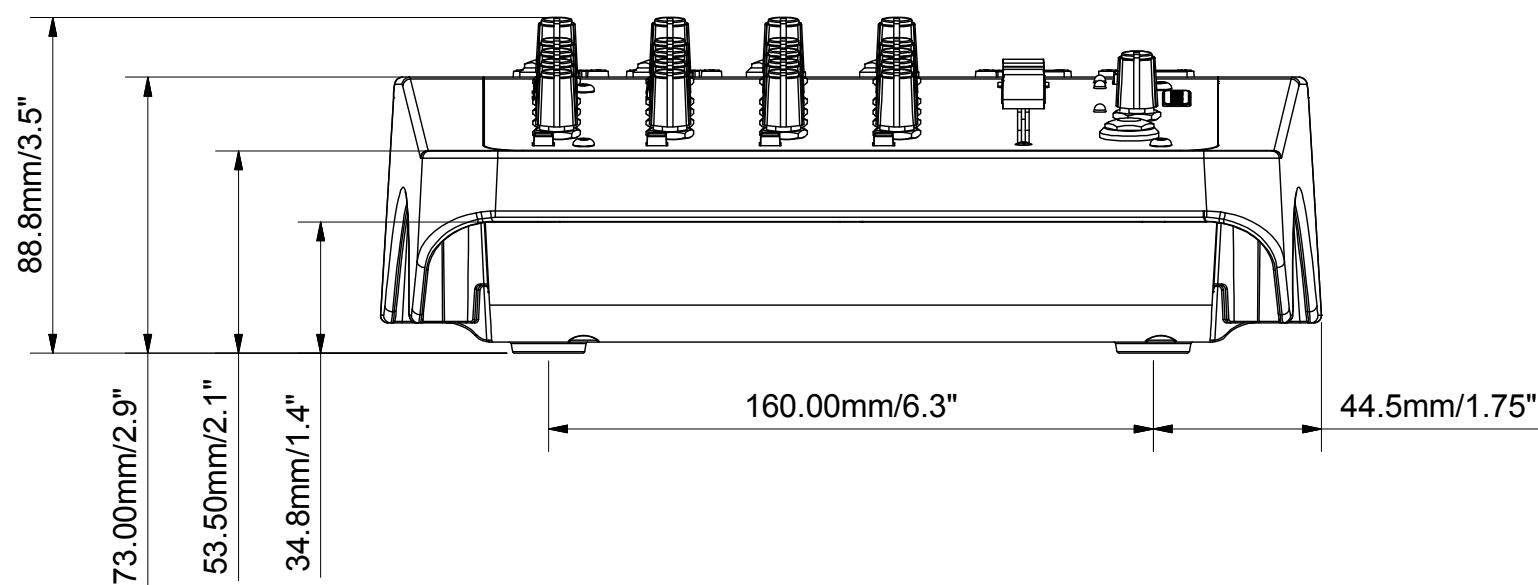


Zed 6 - Without box

Width - 249mm/9.8"
 Depth - 236.4mm/9.3"
 Height - 88.9mm/3.5"
 Weight - 1.3kg/2.8lbs

Zed 6 - With box

Width - 364mm/14.3"
 Depth - 291mm/11.5"
 Height - 138mm/5.4"
 Weight - 1.95kg/4.2lbs



REVISION HISTORY				
REV	DESCRIPTION	ECN	DATE	APPROVED
1	PRODUCTION		04/08/2015	ALEXMO

THIRD ANGLE PROJECTION

MATERIAL:

All materials to be compliant with The Restriction of Hazardous Substances (ROHS2) Directive 2011/65/EU

TOLERANCES U O S:

GENERAL ± 0.25 HOLE CENTRES ± 0.10
 HOLE SIZES ± 0.05 ANGULAR DIMS ± 0.50

FINISH:

DRAWING
 MAIN ASSY

UNIT Zed 6

PART No 007-168

DRAWING No Zed 6 - Weights and Dims

ALLEN & HEATH Ltd.
 KERNICK INDUSTRIAL ESTATE
 PENRYN CORNWALL TR10 9LU
 TELEPHONE 01326 372070
 FACSIMILE 01326 370153

SHEET 1 of 1
 ISSUE 1