

ENGLISH

FRANÇAIS

DEUTSCH

ITALIANO

ESPAÑOL

日本語

中文

AXIS T8516 PoE+ Network Switch

Installation Guide

Legal Considerations

Video and audio surveillance can be regulated by laws that vary from country to country. Check the laws in your local region before using this product for surveillance purposes.

Liability

Every care has been taken in the preparation of this document. Please inform your local Axis office of any inaccuracies or omissions. Axis Communications AB cannot be held responsible for any technical or typographical errors and reserves the right to make changes to the product and manuals without prior notice. Axis Communications AB makes no warranty of any kind with regard to the material contained within this document, including, but not limited to, the implied warranties of merchantability and fitness for a particular purpose. Axis Communications AB shall not be liable nor responsible for incidental or consequential damages in connection with the furnishing, performance or use of this material. This product is only to be used for its intended purpose.

Intellectual Property Rights

Axis AB has intellectual property rights relating to technology embodied in the product described in this document. In particular, and without limitation, these intellectual property rights may include one or more of the patents listed at www.axis.com/patent.htm and one or more additional patents or pending patent applications in the US and other countries.


Equipment Modifications

This equipment must be installed and used in strict accordance with the instructions given in the user documentation. This equipment contains no user-serviceable components. Unauthorized equipment changes or modifications will invalidate all applicable regulatory certifications and approvals.

Trademark Acknowledgments

AXIS COMMUNICATIONS, AXIS, ETRAX, ARTPEC and VAPIX are registered trademarks or trademark applications of Axis AB in various jurisdictions. All other company names and products are trademarks or registered trademarks of their respective companies.

Regulatory Information

Europe  This product complies with the applicable CE marking directives and harmonized standards.

A copy of the original declaration of conformity may be obtained from Axis Communications AB. See *Contact Information* 3.

Electromagnetic Compatibility (EMC)

This equipment has been designed and tested to fulfill applicable standards for:

- Radio frequency emission when installed according to the instructions and used in its intended environment.
- Immunity to electrical and electromagnetic phenomena when installed according to the instructions and used in its intended environment.

USA

This equipment has been tested and found to comply with the limits for a Class A digital device, pursuant to part 15 of the FCC Rules. These limits are designed to provide reasonable protection against harmful interference when the equipment is operated in a commercial environment. This equipment generates, uses, and can radiate radio frequency energy and, if not installed and used in accordance with the instruction manual, may cause harmful

interference to radio communications. Operation of this equipment in a residential area is likely to cause harmful interference in which case the user will be required to correct the interference at his own expense. The product shall be properly grounded.

Canada

This digital apparatus complies with CAN ICES-3 (Class A). The product shall be properly grounded. Cet appareil numérique est conforme à la norme NMB ICES-3 (classe A). Le produit doit être correctement mis à la terre.

This product fulfills the requirements for immunity according to EN 55024 office and commercial environments

Australia/New Zealand

This digital equipment fulfills the requirements for RF emission according to the Class A limit of AS/NZS CISPR 22. The product shall be properly grounded. Notice! This is a Class A product. In a domestic environment this product may cause RF interference, in which case the user may be required to take adequate measures.

Japan

この装置は、クラスA情報技術装置です。この装置を家庭環境で使用すると電波妨害を引き起こすことがあります。この場合には使用者が適切な対策を講ずるよう要求されることがあります。本製品は、適切に接地してください。

Korea

이 기기는 업무용(A급) 전자파적합기기로서 판매자 또는 사용자는 이 점을 주의하시기 바라며, 가정외의 지역에서 사용하는 것을 목적으로 합니다. 제품은 적합하게 접지 되어야 합니다.

Safety


This product complies with IEC/EN/UL 60950-1, Safety of Information Technology Equipment.

Disposal and Recycling

When this product has reached the end of its useful life, dispose of it according to local laws and regulations. For information about your nearest designated collection point, contact your local authority responsible for waste disposal. In accordance with local legislation, penalties may be applicable for incorrect disposal of this waste.


Europe



 This symbol means that the product shall not be disposed of together with household or commercial waste. Directive 2012/19/EU on waste electrical and electronic equipment (WEEE) is applicable in the European Union member states. To prevent potential harm to human health and the environment, the product must be disposed of in an approved and environmentally safe recycling process. For information about your nearest designated collection point, contact your local authority responsible for waste disposal. Businesses should contact the product supplier for information about how to dispose of this product correctly.

This product complies with the requirements of Directive 2011/65/EU on the restriction of the use of certain hazardous substances in electrical and electronic equipment (RoHS).

China

 This product complies with the requirements of the legislative act Administration on the Control of Pollution Caused by Electronic Information Products (ACPEIP).

Contact Information

Axis Communications AB
Emdalavägen 14
223 69 Lund
Sweden

Tel: +46 46 272 18 00

Fax: +46 46 13 61 30

www.axis.com

Support

Should you require any technical assistance, please contact your Axis reseller. If your questions cannot be answered immediately, your reseller will forward your queries through the appropriate channels to ensure a rapid response. If you are connected to the Internet, you can:

- find answers to resolved problems in the FAQ database. Search by product, category, or phrase
- report problems to Axis support staff by logging in to your private support area
- chat with Axis support staff
- visit Axis Support at www.axis.com/techsup/

Learn More!

Visit Axis learning center www.axis.com/academy/ for useful trainings, webinars, tutorials and guides.

Safety Information

Read through this Installation Guide carefully before installing the product. Keep the Installation Guide for future reference.

Hazard Levels

▲DANGER

Indicates a hazardous situation which, if not avoided, will result in death or serious injury.

▲WARNING

Indicates a hazardous situation which, if not avoided, could result in death or serious injury.

▲CAUTION

Indicates a hazardous situation which, if not avoided, could result in minor or moderate injury.

NOTICE

Indicates a situation which, if not avoided, could result in damage to property.

Other Message Levels

Important

Indicates significant information which is essential for the product to function correctly.

Note

Indicates useful information which helps in getting the most out of the product.

AXIS T8516 PoE+ Network Switch

Safety Instructions

NOTICE

- The Axis product shall be used in compliance with local laws and regulations.
- Use only applicable tools when installing the Axis product. Using excessive force with power tools could cause damage to the product.
- Do not use chemicals, caustic agents, or aerosol cleaners.
- Use a clean cloth dampened with pure water for cleaning.
- Use only accessories that comply with the technical specification of the product. These can be provided by Axis or a third party.
- Use only spare parts provided by or recommended by Axis.
- Do not attempt to repair the product yourself. Contact Axis support or your Axis reseller for service matters.

The SFP port should use UL listed optional transceiver product, rated 3.3 V DC, Laser Class 1.

Transportation

NOTICE

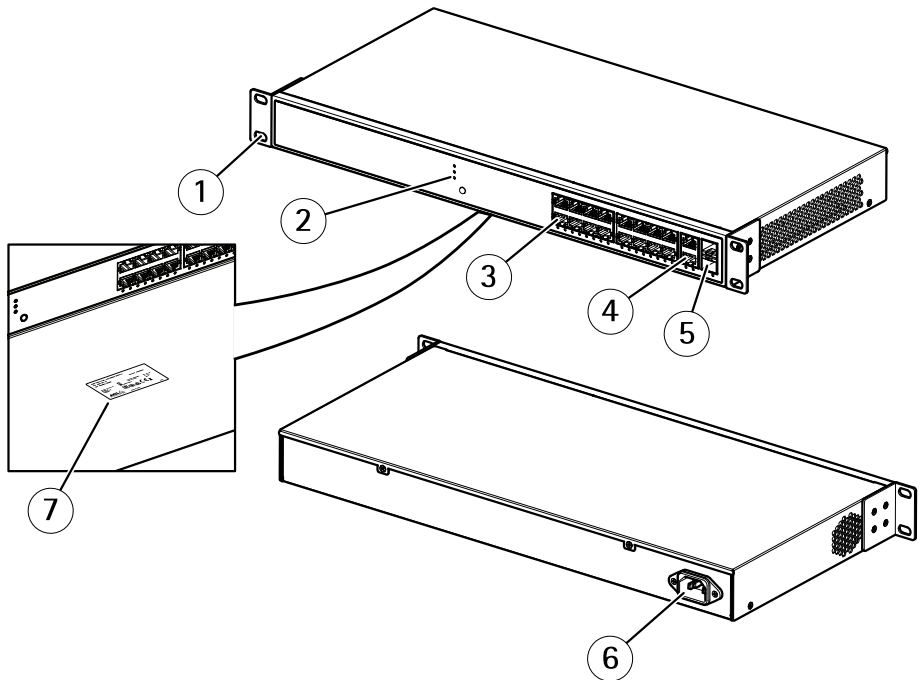
- When transporting the Axis product, use the original packaging or equivalent to prevent damage to the product.

Install the Hardware

Package Contents

- AXIS T8516 POE+ Network Switch
- Power cable
- Rubber feet (4X)
- Rack mounting kit
- Installation guide

Hardware Overview

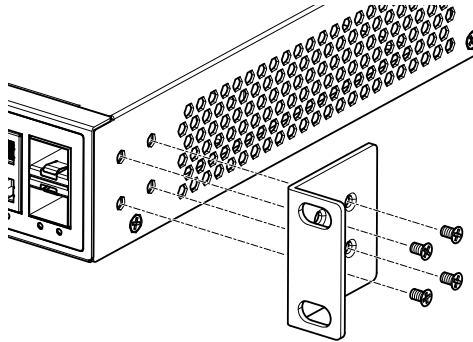


- 1 Bracket
- 2 LEDs (frontpanel)
- 3 RJ45 PoE ports 1-16
- 4 RJ45 port 17-18

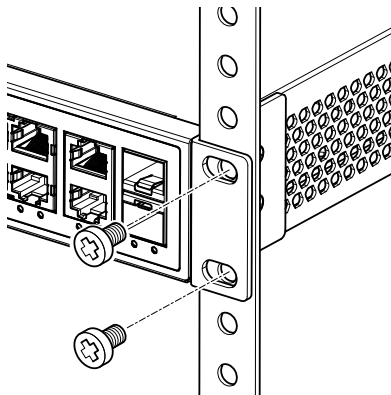
AXIS T8516 PoE+ Network Switch

- 5 SFP slot 17-18
- 6 Power connector
- 7 Product label

Mount the product in a rack



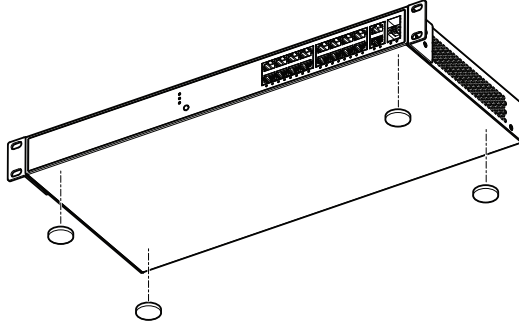
1. Attach the mounting brackets to both sides of the chassis. Insert screws and tighten them with a screwdriver to secure the brackets.
2. Place the product on a rack shelf in the rack. Push it in until the oval holes in the brackets align with the mounting holes in the rack posts.



3. Attach the brackets to the posts. Insert screws and tighten them.

Mount the product on a desk or shelf

1. Verify that the workbench is sturdy and reliably grounded.



2. Attach the four adhesive rubber feet to the bottom of the product.

Installation steps

1. Connect a standard network cable to RJ45 port 17 or 18 on the product.
2. Connect the other end of the cable to a computer.
3. Connect the power cord to the product.
4. Connect the other end of the power cord to a standard AC outlet. The System LED lights up and confirms that the device is powered up successfully.
5. Use AXIS IP Utility or AXIS Camera Management to find the product on your network.
6. Use the username and password on the product label to enter the product.
7. Follow the instructions on the screen.

Important

Use only the supplied power cord to power the product.

Note

For security purposes, it is recommended to change the default password.

Install SFP Modules

You can install or remove a mini-GBIC SFP module from a SFP slot without having to power off the product. The SFP slots 17-18 are shared with the RJ-45 ports 17-18.

AXIS T8516 PoE+ Network Switch

Important

If a mini-GBIC is installed in slot 17-18, the associated RJ-45 port 17-18 is disabled and cannot be used. Make sure the network cable is not connected to RJ-45 port 17-18 when you install or remove a mini-GBIC.

1. Insert the module into the SFP slot.
2. Press firmly to ensure that the module seats into the connector.

Power notice

The product is a power-required device, meaning it will not work until it is powered. Consider using an UPS (Uninterrupted Power Supply) in order to avoid network data loss or network downtime.

Installing a surge suppression device may also help to protect the product from being damaged by unregulated surge or current to the product or the power cord.

How to use the Mode/Reset button

By pressing the **Mode/Reset** button for certain period of time, users can perform the following tasks.

- Change between port status mode Link/Act/Speed and PoE.
- Reset the product to the previous configuration settings saved.
- Restore the product to the original factory default settings.

Mode/Reset button

Task to be performed	Time period of pressing button	LED	Port status LED behavior
Change port status mode between Link/Act/Speed and PoE	0-2 seconds	Green (lit)	LED status changes according to the selected mode.
Reset the product	2-7 seconds	Green (blink)	The lights are OFF for all LEDs
Restore to the original factory default settings	7-12 seconds	Green (blink)	The lights are ON for all LEDs

Reference Material

LED Indicators

System LED

LED	Color	Indication
System	Green (lit)	The switch is powered ON.
	N/A	The switch is not receiving power.
	Red (lit)	An abnormal state, such as exceeding operating temperature range, has been detected in the switch.

Mode LED

LED	Color	Indication
Link/Act/Speed	Green (lit)	The RJ45/SFP Port Status LEDs are displaying link status and network activity of each port, with connection speed of 1000Mbps.
	Amber (lit)	The RJ45/SFP Port Status LEDs are displaying link status and network activity of each port, with connection speed of 10/100Mbps.
PoE	Green (lit)	The RJ45 Port Status LEDs are displaying PoE powering status of each port.

By pressing the **Mode/Reset** button in less than 2 seconds to change LED modes (Link/Act/Speed Mode or PoE Mode), users can check the port status by reading the LED behaviors in the tables below.

Link/Act/Speed Mode LED

AXIS T8516 PoE+ Network Switch

LED	Color	Indication
RJ45 ports	Green (lit)	The port is enabled and established a link to connected device, and the connection speed is 1000Mbps.
	Green (blink)	The port is transmitting/receiving packets, and the connection speed is 1000Mbps.
	Amber (lit)	The port is enabled and established a link to connected device, and the connection speed is 10/100Mbps.
	Amber (blink)	The port is transmitting/receiving packets, and the connection speed is 10/100Mbps.
	N/A	The port has no active network cable connected, or it is not established a link to connected device. Otherwise, the port may have been disabled through the product user interface.
SFP ports	Green (lit)	The port is enabled and established a link to connected device, and the connection speed is 1000Mbps.
	Green (blink)	The port is transmitting/receiving packets, and the connection speed is 1000Mbps.
	Amber (lit)	The port is enabled and established a link to connected device, and the connection speed is 100Mbps.
	Amber (blink)	The port is transmitting/receiving packets, and the connection speed is 100Mbps.

AXIS T8516 PoE+ Network Switch

	N/A	The port has no active network cable connected, or it is not established a link to connected device. Otherwise, the port may have been disabled through the product user interface.
--	-----	-------------------------------------------------------------------------------------------------------------------------------------------------------------------------------------

PoE Mode LED

LED	Color	Indication
RJ45 ports	Green (lit)	The port is enabled and supplying power to connected device.
	Amber (lit)	An abnormal state, such as overload status, has been detected in the product.
	N/A	The port has no active network cable connected, or it is not connected a PoE PD device. Otherwise, the port may have been disabled through the product user interface.

Informations sur la sécurité

Lisez attentivement ce guide d'installation avant d'installer l'appareil. Conservez le guide d'installation pour toute référence ultérieure.

Niveaux de risques

▲DANGER

Indique une situation dangereuse qui, si elle n'est pas évitée, entraînera le décès ou des blessures graves.

▲AVERTISSEMENT

Indique une situation dangereuse qui, si elle n'est pas évitée, pourrait entraîner le décès ou des blessures graves.

▲ATTENTION

Indique une situation dangereuse qui, si elle n'est pas évitée, pourrait entraîner des blessures légères ou modérées.

AVIS

Indique une situation qui, si elle n'est pas évitée, pourrait endommager l'appareil.

Autres niveaux de message

Important

Indique les informations importantes, nécessaires pour assurer le bon fonctionnement de l'appareil.

Note

Indique les informations utiles qui permettront d'obtenir le fonctionnement optimal de l'appareil.

Consignes de sécurité

AVIS

- Le produit Axis doit être utilisé conformément aux lois et réglementations locales en vigueur.
- Utiliser uniquement des outils recommandés pour l'installation de l'appareil Axis. L'application d'une force excessive sur l'appareil avec des outils puissants pourrait l'endommager.
- Ne pas utiliser de produits chimiques, de substances caustiques ou de nettoyeurs pressurisés.
- Utiliser un chiffon propre imbibé d'eau pure pour le nettoyage.
- Utiliser uniquement des accessoires conformes aux caractéristiques techniques du produit. Ils peuvent être fournis par Axis ou un tiers.
- Utiliser uniquement les pièces de rechange fournies ou recommandées par Axis.
- Ne pas essayer de réparer vous-même ce produit. Contacter l'assistance technique d'Axis ou votre revendeur Axis pour des problèmes liés à l'entretien.

Transport

AVIS

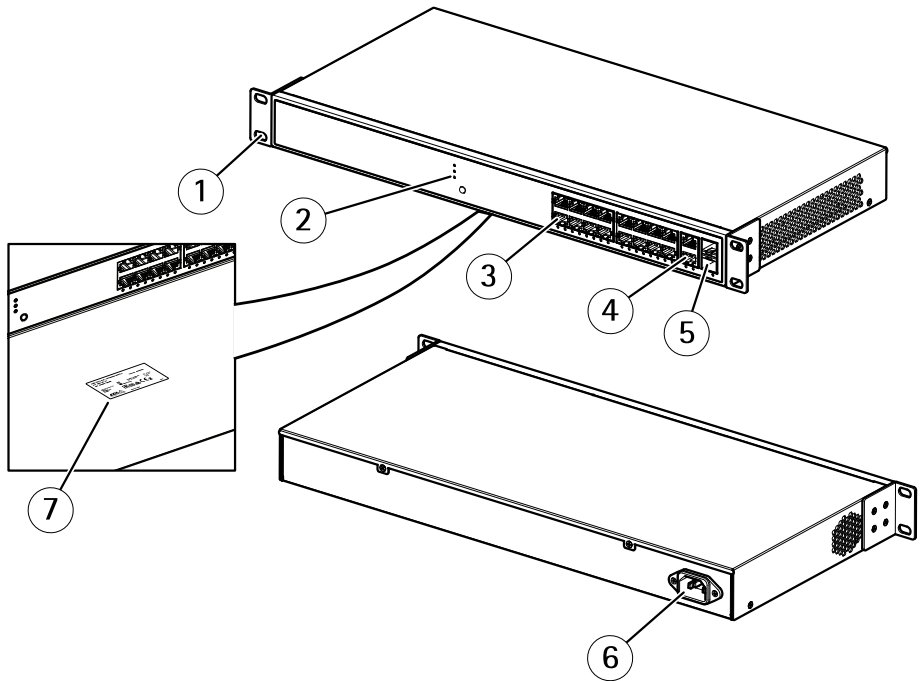
- Lors du transport du produit Axis, utilisez l'emballage d'origine ou un équivalent pour éviter d'endommager le produit.

Installation du matériel

Contenu de l'emballage

- Commutateur réseau AXIS T8516 POE+
- Câble d'alimentation
- Pied en caoutchouc (4X)
- Kit de montage en rack
- Guide d'installation

Aperçu du matériel

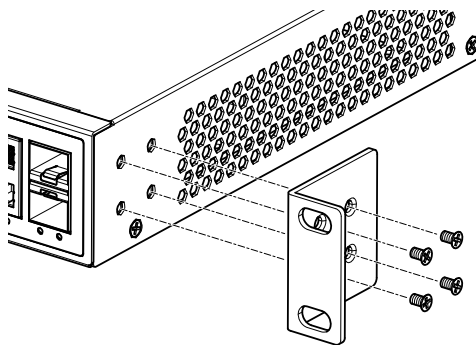


- 1 Support
- 2 Voyants (panneau avant)
- 3 Ports 1-16 RJ45 PoE

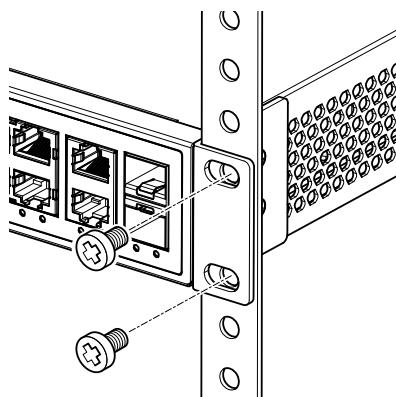
AXIS T8516 PoE+ Network Switch

- 4 Port 17-18 RJ45
- 5 Logement SFP 17-18
- 6 Connecteur d'alimentation
- 7 Étiquette produit

Montage du produit dans un rack



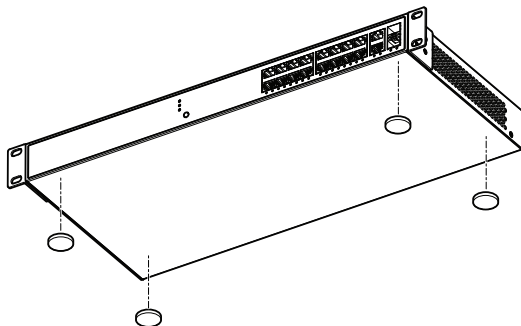
1. Fixez les supports de fixation des deux côtés du châssis. Insérez les vis, puis serrez-les à l'aide d'un tournevis pour fixer les supports.
2. Placez le produit sur une tablette dans le rack. Poussez-le jusqu'à ce que les perforations ovales dans les supports soient alignées sur les trous de fixation des montants du rack.



3. Fixez les supports aux montants. Insérez les vis et serrez-les.

Montage du produit sur un bureau ou une étagère

1. Vérifiez que l'établi et solide est bien mis à la terre.



2. Fixez les quatre pieds en caoutchouc adhésifs sur la partie inférieure du produit.

Procédures d'installation

1. Branchez un câble réseau standard au port RJ45 17 ou 18 NET sur le produit.
2. Connectez l'autre extrémité du câble à un ordinateur.
3. Branchez le cordon d'alimentation sur le produit.
4. Connectez l'autre extrémité du cordon d'alimentation à une prise secteur standard. Le voyant DEL du système s'allume et confirme que le périphérique est bien alimenté.
5. Utilisez AXIS IP Utility ou AXIS Camera Management pour trouver le produit sur votre réseau.
6. Utilisez le nom d'utilisateur et le mot de passe figurant sur l'étiquette pour se connecter au produit.
7. Suivez les instructions à l'écran.

Important

Utilisez uniquement le cordon d'alimentation fourni pour alimenter le produit.

Note

Pour des raisons de sécurité, il est vivement conseillé de modifier le mot de passe par défaut.

Installation des modules SFP

Vous pouvez installer ou retirer un module SFP mini-GBIC depuis un emplacement SFP sans avoir à mettre le produit hors tension. Les emplacements SFP 17-18 sont partagés avec les ports RJ-45 17-18.

AXIS T8516 PoE+ Network Switch

Important

Si un mini-GBIC est installé dans l'emplacement 17-18, le port RJ-45 17-18 associé est désactivé et ne peut pas être utilisé. Vérifiez que le câble réseau n'est pas raccordé au port RJ-45 17-18 lorsque vous installez ou retirez un mini-GBIC.

1. Insérez le module dans l'emplacement SFP.
2. Appuyez fermement pour vous assurer que le module est bien inséré dans le connecteur.

Remarque à propos de l'alimentation

Le produit est un appareil à énergie requise, ce qui signifie qu'il ne fonctionne que s'il est alimenté. Pensez à utiliser un système d'alimentation sans coupure (UPS) pour éviter les pertes de données réseau ou l'arrêt du réseau.

L'installation d'un dispositif de protection contre les surtensions peut également protéger le produit ou le cordon d'alimentation contre une surtension ou un courant non régulés.

Comment utiliser la touche Mode/Reset

En appuyant sur la touche **Mode/Reset** pendant un certain temps, les utilisateurs peuvent exécuter les tâches suivantes :

- Passer du mode d'état du port Link/Act/Speed à PoE.
- Réinitialiser le produit aux paramètres de la configuration antérieure enregistrée.
- Restaurer le produit aux paramètres des valeurs par défaut d'origine.

Touche Mode/Reset

Tâche à réaliser	Durée de pression sur la touche	Voyant DEL	Comportement du voyant DEL sur l'état du port
Passer du mode d'état du port Link/Act/Speed à PoE.	0-2 secondes	Vert (allumé)	L'état du voyant DEL change en fonction du mode sélectionné.
Réinitialiser le produit	2-7 secondes	Vert (clignotant)	Tous les voyants DEL sont éteints
Restaurer aux paramètres des valeurs par défaut d'origine	7-12 secondes	Vert (clignotant)	Tous les voyants DEL sont allumés

Éléments de référence

Voyants

Voyant DEL système

Voyant DEL	Couleur	Indication
Système	Vert (allumé)	Le commutateur est sous tension.
	Sans objet	Le commutateur n'est pas alimenté.
	Rouge (allumé)	Un état anormal, par exemple une température de fonctionnement excessive, a été détecté sur le commutateur.

Voyant DEL mode

Voyant DEL	Couleur	Indication
Link/Act/Speed	Vert (allumé)	Les voyants DEL d'état des ports RJ45/SFP affiche l'état de la liaison et l'activité réseau de chaque port, avec une vitesse de connexion de 1000 Mbits/s.
	Orange (allumé)	Les voyants DEL d'état des ports RJ45/SFP affiche l'état de la liaison et l'activité réseau de chaque port, avec une vitesse de connexion de 10/100 Mbits/s.
PoE	Vert (allumé)	Les voyants DEL d'état du port RJ45 affichent l'état d'alimentation PoE de chaque port.

AXIS T8516 PoE+ Network Switch

En appuyant sur la touche **Mode/Reset** dans un délai inférieur à 2 secondes pour modifier les modes LED (Mode Link/Act/Speed ou Mode PoE), les utilisateurs peuvent vérifier l'état du port en relevant la signification des voyants DEL dans les tableaux ci-dessous.

Voyant DEL Mode Link/Act/Speed

Voyant DEL	Couleur	Indication
Ports RJ45	Vert (allumé)	Ce port est activé et une liaison est établie pour se connecter au périphérique, et la vitesse de connexion est de 1 000 Mbits/s.
	Vert (clignotant)	Le port transmet/reçoit des paquets de données, et la vitesse de connexion est de 1 000 Mbits/s.
	Orange (allumé)	Ce port est activé et une liaison est établie pour se connecter au périphérique, et la vitesse de connexion est de 10/100 Mbits/s.
	Orange (clignotant)	Le port transmet/reçoit des paquets de données, et la vitesse de connexion est de 10/100 Mbits/s.
	Sans objet	Le port n'a pas de câble réseau actif connecté ou une liaison n'est pas établie pour se connecter au périphérique. Sinon, le port a pu être désactivé via l'interface utilisateur du produit.

Ports SFP	Vert (allumé)	Ce port est activé et une liaison est établie pour se connecter au périphérique, et la vitesse de connexion est de 1 000 Mbits/s.
	Vert (clignotant)	Le port transmet/reçoit des paquets de données, et la vitesse de connexion est de 1 000 Mbits/s.
	Orange (allumé)	Ce port est activé et une liaison est établie pour se connecter au périphérique, et la vitesse de connexion est de 100 Mbits/s.
	Orange (clignotant)	Le port transmet/reçoit des paquets de données et la vitesse de connexion est de 100 Mbits/s.
	Sans objet	Le port n'a pas de câble réseau actif connecté ou une liaison n'est pas établie pour se connecter au périphérique. Sinon, le port a pu être désactivé via l'interface utilisateur du produit.

Voyant DEL Mode PoE

Voyant DEL	Couleur	Indication
Ports RJ45	Vert (allumé)	Les port est activé est alimente le périphérique connecté.
	Orange (allumé)	Un état anormal, par exemple une surcharge, a été détecté sur le produit.
	Sans objet	Le port n'a pas de câble réseau actif connecté ou il n'est pas connecté au périphérique PoE PD. Sinon, le port a pu être désactivé via l'interface utilisateur du produit.

Sicherheitsinformation

Lesen Sie das Installationshandbuch sorgfältig durch bevor sie das Produkt installieren. Bewahren Sie das Installationshandbuch für zukünftige Zwecke auf.

Gefährdungsstufen

▲GEFAHR

Weist auf eine gefährliche Situation hin, welche, falls nicht verhindert, zu Tod oder schweren Verletzungen führt.

▲WARNUNG

Weist auf eine gefährliche Situation hin, welche, falls nicht verhindert, zu Tod oder schweren Verletzungen führen kann.

▲VORSICHT

Weist auf eine gefährliche Situation hin, welche, falls nicht verhindert, zu geringfügiger oder mäßiger Verletzung führen kann.

HINWEIS

Weist auf eine gefährliche Situation hin, welche, falls nicht verhindert, zu Sachschäden führen kann.

Weitere Nachrichtenstufen

Wichtig

Weist auf wichtige Informationen hin, die den richtigen Betrieb des Produkts gewährleisten.

Beachten

Weist auf nützliche Informationen hin, die die optimale Verwendung des Produkts unterstützen.

Sicherheitsanweisungen

HINWEIS

- Die Anwendung des Axis Produkts muss unter Beachtung der örtlich geltenden rechtlichen Bestimmungen erfolgen.
- Verwenden Sie bei der Installation des Axis Produkts ausschließlich passende Werkzeuge. Ein zu großer Kraftaufwand mit elektrischen Werkzeugen kann das Produkt beschädigen.
- Verwenden Sie keine chemischen, ätzenden oder aerosolhaltigen Reinigungsmittel.
- Verwenden Sie zum Reinigen ein sauberes, mit destilliertem Wasser angefeuchtetes Tuch.
- Verwenden Sie nur Zubehör, das den technischen Daten des Produkts entspricht. Dieses ist von Axis oder Drittanbietern erhältlich.
- Verwenden Sie ausschließlich Ersatzteile die von Axis bereitgestellt oder empfohlen werden.
- Versuchen Sie nicht, das Produkt selbstständig zu reparieren. Wenden Sie sich bezüglich Reparatur und Wartung an den Axis Support oder Ihren Axis Händler.

Transport

HINWEIS

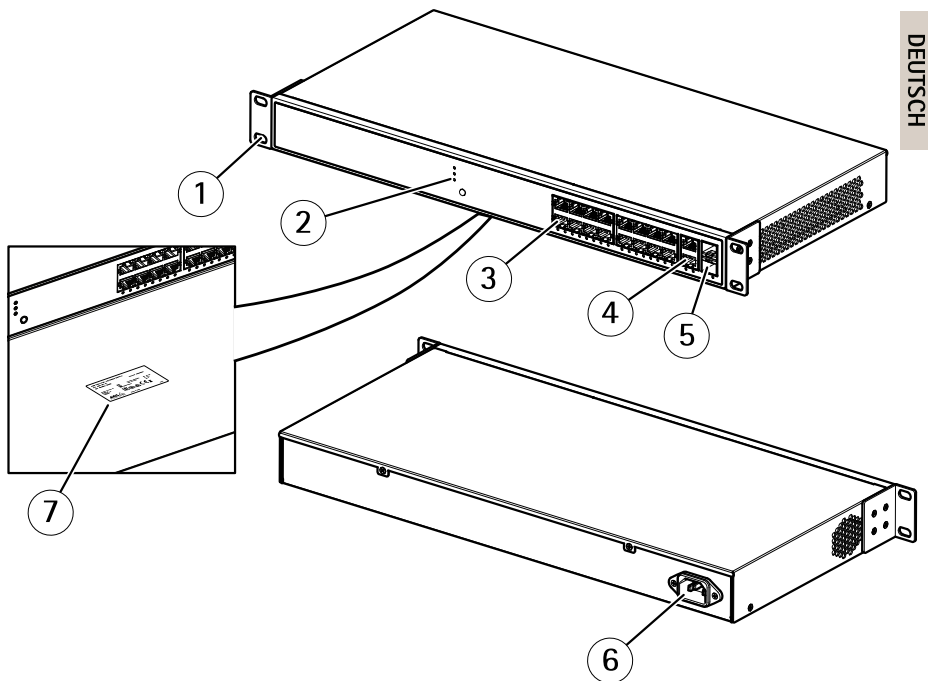
- Bei Bedarf transportieren Sie das Axis Produkt in der Originalverpackung oder einer entsprechenden Verpackung, so dass Schäden vermieden werden.

Installieren der Hardware

Lieferumfang

- AXIS T8516 POE+-Netzwerkswitch
- Stromkabel
- GummifüÙe (4)
- Rack-Montageset
- Installationsanleitung

Übersicht über die Hardware

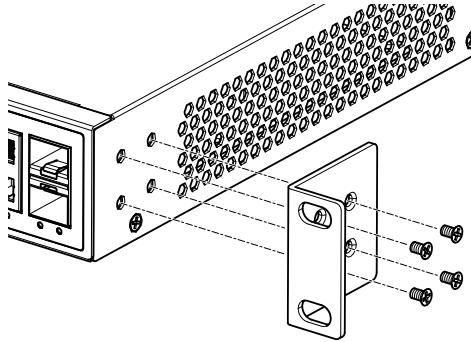


DEUTSCH

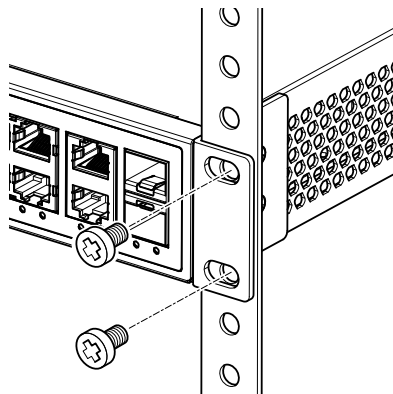
- 1 Halterung
- 2 LEDs (Vorderseite)
- 3 RJ45-PoE-Ports 1-16
- 4 RJ45-Ports 17-18

- 5 SFP-Einschübe 17-18
- 6 Netzanschluss
- 7 Produktaufkleber

Montieren des Produkts in einem Rack



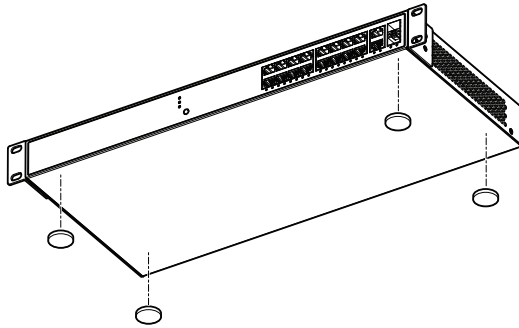
1. Bringen Sie die Montagehalterungen an beiden Seiten des Gehäuses an. Setzen Sie die Schrauben ein und ziehen Sie sie mit einem Schraubendreher an, um die Halterungen zu befestigen.
2. Stellen Sie das Produkt in ein Fach im Rack. Schieben Sie es soweit hinein, bis die ovalen Bohrungen in den Halterungen mit den Montagebohrungen in den Rack-Stützen ausgerichtet sind.



3. Bringen Sie die Halterungen an den Stützen an. Setzen Sie die Schrauben ein und ziehen Sie sie an.

Aufstellen des Produkts auf einem Arbeitstisch oder in einem Regal

1. Vergewissern Sie sich, dass der Arbeitstisch robust und ordnungsgemäß geerdet ist.



2. Bringen Sie die vier selbstklebenden Gummifüße an der Unterseite des Produkts an.

Installationschritte

1. Schließen Sie ein Standard-Netzwerkkabel an den RJ45-Port 17 oder 18 am Produkt an.
2. Schließen Sie das andere Ende des Kabels an einen Computer an.
3. Schließen Sie das Stromkabel an das Produkt an.
4. Schließen Sie das andere Ende des Stromkabels an eine Standard-Netzsteckdose an. Die System-LED leuchtet auf und gibt dadurch an, dass das Gerät erfolgreich eingeschaltet wurde.
5. Verwenden Sie AXIS IP Utility oder AXIS Camera Management, um das Produkt in Ihrem Netzwerk zu suchen.
6. Verwenden Sie den Benutzernamen und das Kennwort auf dem Produktaufkleber, um das Produkt zu starten.
7. Folgen Sie den Anweisungen auf dem Bildschirm.

Wichtig

Verwenden Sie nur das im Lieferumfang enthaltene Stromkabel für die Stromversorgung des Produkts.

Beachten

Aus Sicherheitsgründen wird empfohlen, das Standardkennwort zu ändern.

Installieren der SFP-Module

Sie können ein Mini-GBIC-SFP-Modul in einen SFP-Einschub einsetzen oder daraus entfernen, ohne das Produkt ausschalten zu müssen. Die SFP-Einschübe 17-18 werden auch für die RJ45-Ports 17-18 verwendet.

Wichtig

Wenn ein Mini-GBIC-Modul in den Einschub 17 oder 18 eingesetzt wird, wird der zugehörige RJ45-Port 17 oder 18 deaktiviert und kann nicht verwendet werden. Vergewissern Sie sich beim Einsetzen oder Entfernen eines Mini-GBIC-Moduls, dass das Netzkabel nicht an den RJ45-Port 17 oder 18 angeschlossen ist.

1. Setzen Sie das Modul in den SFP-Einschub ein.
2. Drücken Sie das Modul fest ein, um sicherzustellen, dass es fest im Anschluss sitzt.

Hinweis zur Stromversorgung

Das Produkt ist ein Gerät mit Strombedarf, d. h. es funktioniert nur, wenn es mit Strom versorgt wird. Erwägen Sie die Verwendung einer USV (unterbrechungsfreien Stromversorgung), um den Verlust von Netzwerkdaten oder Netzwerkausfälle zu vermeiden.

Durch Installation eines Überspannungsschutzes kann das Produkt vor Beschädigung durch unkontrollierte Überspannung oder Stromstöße über das Produkt oder das Netzkabel geschützt werden.

Verwenden der Modus/Reset-Taste

Durch Drücken der **Modus/Reset**-Taste für eine bestimmte Zeitdauer können Benutzer die folgenden Aufgaben durchführen.

- Wechseln zwischen dem Link/Act/Speed- und PoE-Portstatusmodus
- Zurücksetzen des Produkts auf die vorherigen gespeicherten Konfigurationseinstellungen
- Wiederherstellen der ursprünglichen werkseitigen Standardeinstellungen des Produkts

Modus/Reset-Taste

AXIS T8516 PoE+ Network Switch

Ausführende Aufgabe	Zeitdauer des Tastendrucks	LED	Verhalten der LED-Portstatusanzeige
Wechseln zwischen dem Link/Act/Speed- und PoE-Portstatusmodus	0-2 Sekunden	Grün (leuchtend)	Die LED-Statusanzeige ändert sich entsprechend dem ausgewählten Modus.
Zurücksetzen des Produkts	2-7 Sekunden	Grün (blinkend)	Keine LED-Portstatusanzeige leuchtet.
Wiederherstellen der ursprünglichen werkseitigen Standardeinstellungen	7-12 Sekunden	Grün (blinkend)	Alle LED-Portstatusanzeigen leuchten.

Informationsmaterial

LED-Anzeigen

System-LED

LED	Farbe	Bedeutung
System	Grün (leuchtend)	Der Switch ist eingeschaltet.
	--	Der Switch wird nicht mit Strom versorgt.
	Rot (leuchtend)	Im Switch wurde ein anormaler Zustand festgestellt, beispielsweise ein Überschreiten des Betriebstemperaturbereichs.

Modus-LED

LED	Farbe	Bedeutung
Link/Act/Speed	Grün (leuchtend)	Die Status-LEDs für den RJ45/SFP-Port geben den Verbindungsstatus und die Netzwerkaktivität des jeweiligen Ports bei einer Verbindungsgeschwindigkeit von 1000 MBit/s an.
	Gelb (leuchtend)	Die Status-LEDs für den RJ45/SFP-Port geben den Verbindungsstatus und die Netzwerkaktivität des jeweiligen Ports bei einer Verbindungsgeschwindigkeit von 10/100 MBit/s an.
PoE	Grün (leuchtend)	Die Status-LEDs für den RJ45-Port geben den PoE-Stromversorgungsstatus des jeweiligen Ports an.

Wenn die **Modus/Reset**-Taste kürzer als 2 Sekunden zum Wechseln zwischen den LED-Statusanzeigen (Link/Act/Speed- oder PoE-Modus) gedrückt wird, können Benutzer den Portstatus anhand des in der folgenden Tabelle angegebenen LED-Verhaltens überprüfen.

LED für den Link/Act/Speed-Modus

LED	Farbe	Bedeutung
RJ45-Ports	Grün (leuchtend)	Der Port ist aktiviert und hat eine Verbindung mit dem angeschlossenen Gerät hergestellt. Die Verbindungsgeschwindigkeit beträgt 1000 MBit/s.
	Grün (blinkend)	Der Port überträgt/empfängt Datenpakete. Die Verbindungsgeschwindigkeit beträgt 1000 MBit/s.
	Gelb (leuchtend)	Der Port ist aktiviert und hat eine Verbindung mit dem angeschlossenen Gerät hergestellt. Die Verbindungsgeschwindigkeit beträgt 10/100 MBit/s.
	Gelb (blinkend)	Der Port überträgt/empfängt Datenpakete. Die Verbindungsgeschwindigkeit beträgt 10/100 MBit/s.
	--	An den Port wurde kein aktives Netzkabel angeschlossen oder der Port hat keine Verbindung mit dem angeschlossenen Gerät hergestellt. Möglicherweise wurde der Port auch über die Benutzeroberfläche des Produkts deaktiviert.

AXIS T8516 PoE+ Network Switch

SFP-Ports	Grün (leuchtend)	Der Port ist aktiviert und hat eine Verbindung mit dem angeschlossenen Gerät hergestellt. Die Verbindungsgeschwindigkeit beträgt 1000 MBit/s.
	Grün (blinkend)	Der Port überträgt/empfängt Datenpakete. Die Verbindungsgeschwindigkeit beträgt 1000 MBit/s.
	Gelb (leuchtend)	Der Port ist aktiviert und hat eine Verbindung mit dem angeschlossenen Gerät hergestellt. Die Verbindungsgeschwindigkeit beträgt 100 MBit/s.
	Gelb (blinkend)	Der Port überträgt/empfängt Datenpakete. Die Verbindungsgeschwindigkeit beträgt 100 MBit/s.
	--	An den Port wurde kein aktives Netzkabel angeschlossen oder der Port hat keine Verbindung mit dem angeschlossenen Gerät hergestellt. Möglicherweise wurde der Port auch über die Benutzeroberfläche des Produkts deaktiviert.

LED für den PoE-Modus

AXIS T8516 PoE+ Network Switch

LED	Farbe	Bedeutung
RJ45-Ports	Grün (leuchtend)	Der Port ist aktiviert und versorgt das angeschlossene Gerät mit Strom.
	Gelb (leuchtend)	Im Produkt wurde ein anormaler Zustand festgestellt, beispielsweise eine Überlast.
	--	An den Port wurde kein aktives Netzkabel angeschlossen oder der Port ist nicht an ein mit Strom versorgtes PoE-Gerät angeschlossen. Möglicherweise wurde der Port auch über die Benutzeroberfläche des Produkts deaktiviert.

Informazioni di sicurezza

Leggere con attenzione questa guida all'installazione prima di installare il dispositivo. Conservare questo documento per usi futuri.

Livelli di pericolo

▲PERICOLO

Indica una situazione pericolosa che, se non evitata, provoca morte o lesioni gravi.

▲AVVERTENZA

Indica una situazione pericolosa che, se non evitata, potrebbe provocare la morte o lesioni gravi.

▲ATTENZIONE

Indica una situazione pericolosa che, se non evitata, può provocare lesioni medie o minori.

AWISO

Indica una situazione che, se non evitata, può danneggiare la proprietà.

Altri livelli di messaggio

Importante

Indica informazioni importanti, essenziali per il corretto funzionamento del dispositivo.

Nota

Indica informazioni utili che aiutano a ottenere il massimo dal dispositivo.

Informazioni di sicurezza

AVVISO

- Il dispositivo Axis deve essere utilizzato in conformità alle leggi e alle disposizioni locali.
- Utilizzare solo strumenti applicabili quando si installa il dispositivo Axis. Se si utilizza una forza eccessiva con strumenti non adatti è possibile causare danni al dispositivo.
- Non utilizzare sostanze chimiche, agenti caustici o detergenti aerosol.
- Utilizzare un panno pulito inumidito in acqua pura per la pulizia.
- Utilizzare solo accessori compatibili con le specifiche tecniche del dispositivo. Questi possono essere forniti da Axis o da terze parti.
- Utilizzare solo parti di ricambio fornite o consigliate da Axis.
- Non tentare di riparare il dispositivo da soli. Contattare l'assistenza o il rivenditore Axis per questioni relative alla manutenzione.

Trasporto

AVVISO

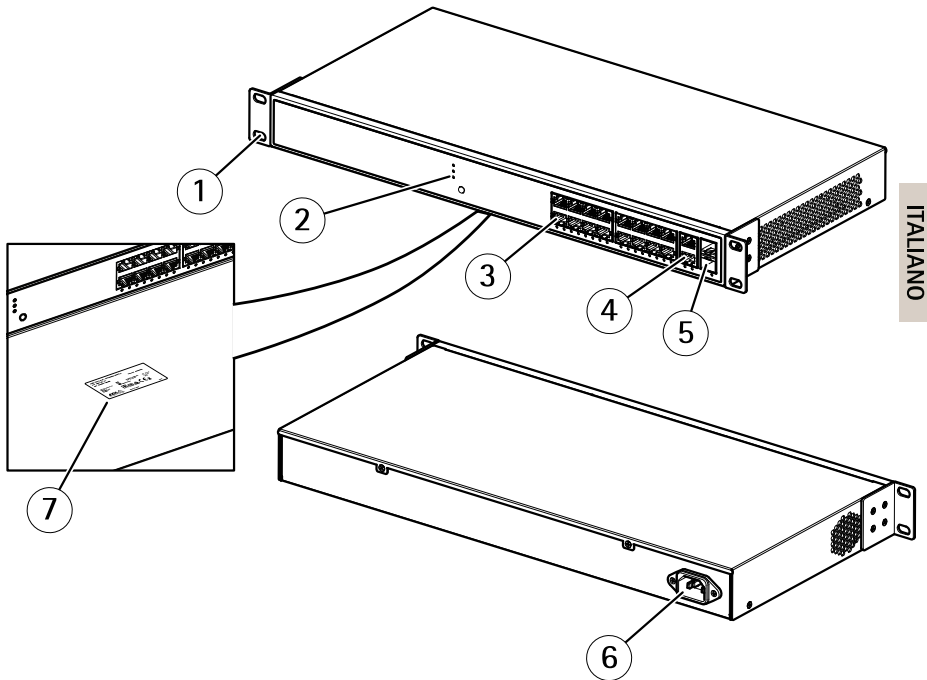
- Durante il trasporto del dispositivo Axis, utilizzare l'imballaggio originale o equivalente per evitare danni al dispositivo.

Installare l'hardware

Contenuto della confezione

- Switch di rete AXIS T8516 POE+
- Cavo di alimentazione
- Piedini in gomma (4X)
- Kit di montaggio rack
- Guida all'installazione

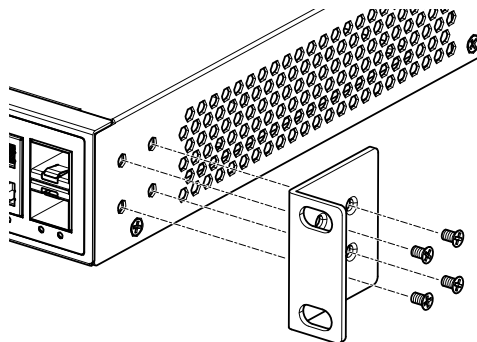
Panoramica dell'hardware



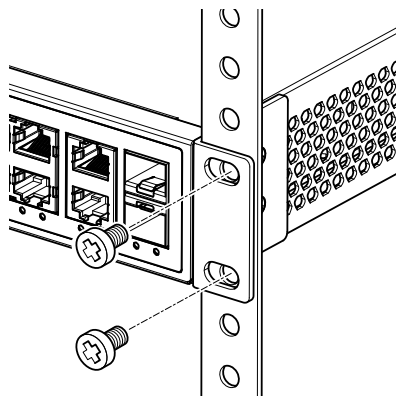
- 1 Staffa
- 2 LED (lato frontale)
- 3 Porte PoE RJ45 1-16
- 4 Porta RJ45 17-18

- 5 Slot SFP 17-18
- 6 Connettore di alimentazione
- 7 Etichetta prodotti

Montare il dispositivo in un rack



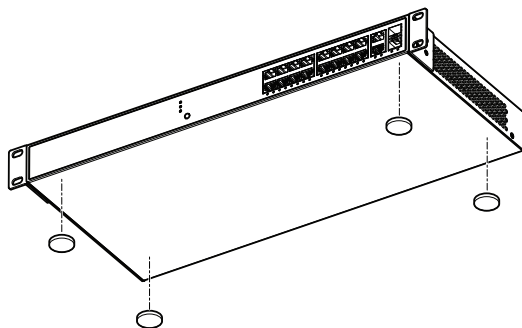
1. Fissare le staffe di montaggio ad entrambi i lati dello chassis. Inserire le viti e stringere con un cacciavite per fissare le staffe.
2. Posizionare il dispositivo su una mensola nel rack. Premerlo finché i fori ovali nelle staffe non sono allineati con i fori di montaggio nei supporti anteriori del rack.



3. Collegare le staffe ai supporti anteriori. Inserire le viti e stringerle.

Montare il dispositivo su una scrivania o una mensola

1. Verificare che la stazione di lavoro sia solida e messa a terra correttamente.



2. Fissare i quattro piedini adesivi in gomma alla parte inferiore del dispositivo.

Procedura di installazione

1. Collegare un cavo di rete standard alla porta RJ45 17 o 18 sul dispositivo.
2. Collegare l'altra estremità del cavo a un computer.
3. Collegare il cavo dell'alimentazione al dispositivo.
4. Collegare l'altra estremità del cavo di alimentazione a una presa CA standard. Il LED di sistema si accende e conferma che il dispositivo è acceso correttamente.
5. Utilizzare AXIS IP Utility o AXIS Camera Management per trovare il dispositivo sulla rete.
6. Utilizzare il nome utente e la password da inserire nel dispositivo sull'etichetta.
7. Seguire le istruzioni visualizzate sullo schermo.

Importante

Per alimentare il dispositivo utilizzare solo il cavo di alimentazione fornito.

Nota

A scopo di sicurezza, si consiglia di cambiare la password predefinita.

Installare i moduli SFP

È possibile installare o rimuovere un modulo SFP mini-GBIC da uno slot SFP senza dover spegnere il dispositivo. Gli slot SFP 17-18 sono condivisi con le porte RJ-45 17-18.

Importante

Se un mini-GBIC è installato nello slot 17-18, la porta RJ-45 17-18 associata è disattivata e non può essere utilizzata. Verificare che il cavo di rete non sia collegato alla porta RJ-45 17-18 quando si installa o si elimina un mini GBIC.

1. Inserire il modulo nello slot SFP.
2. Premere saldamente per assicurare che il modulo si blocchi nel connettore.

Avviso sull'alimentazione

Il dispositivo deve essere alimentato altrimenti non funziona. Si consiglia l'utilizzo di un alimentatore UPS (Uninterrupted Power Supply) per evitare la perdita dei dati di rete o periodi di inattività della rete.

L'installazione di un dispositivo di soppressione delle sovratensioni può aiutare a proteggere il dispositivo da possibili danneggiamenti da corrente o sovratensione non regolamentata al dispositivo o al cavo di alimentazione.

Come utilizzare il pulsante Modalità/Reimposta

Premendo il pulsante **Modalità/Reimposta** per un determinato periodo di tempo, gli utenti possono eseguire le seguenti attività.

- Cambiare la modalità dello stato porta Collegamento/Attivazione/Velocità e PoE.
- Reimpostare il dispositivo sulle impostazioni di configurazioni precedenti salvate.
- Ripristinare il dispositivo alle impostazioni di fabbrica predefinite originali.

Pulsante di ripristino/modalità

Attività da eseguire	Periodo di tempo di pressione del pulsante	LED	Funzionamento LED di stato della porta
Cambiare la modalità dello stato porta tra Collegamento/Attivazione/Velocità e PoE.	0-2 secondi	Verde (acceso)	Lo stato del LED cambia in base alla modalità selezionata.
Ripristina il dispositivo	2-7 secondi	Verde (lampeggiante)	Le luci sono SPENTE per tutti i LED
Ripristinare le impostazioni di fabbrica originali.	7-12 secondi	Verde (lampeggiante)	Le luci sono ACCESE per tutti i LED

Materiale di riferimento

Indicatori LED

LED di sistema

LED	Colore	Indicazione
Sistema	Verde (acceso)	Lo switch è ACCESO.
	N/A	Lo switch non riceve alimentazione.
	Rosso (acceso)	Uno stato non normale, ad esempio che supera l'intervallo di temperatura di funzionamento, è stato rilevato nello switch.

LED modalità

LED	Colore	Indicazione
Collegamento/Attivazione/Velocità	Verde (acceso)	I LED di stato della porta RJ45/SFP visualizzano lo stato del collegamento e l'attività di rete di ogni porta, con velocità di collegamento di 1000 Mbps.
	Giallo (acceso)	I LED di stato della porta RJ45/SFP visualizzano lo stato del collegamento e l'attività di rete di ogni porta, con velocità di collegamento di 10/100 Mbps.
PoE	Verde (acceso)	I LED di stato della porta RJ45 visualizzano lo stato di alimentazione PoE di ogni porta.

Premendo il pulsante **Modalità/Reimposta** in meno di 2 secondi per modificare le modalità LED (Collegamento/Attivazione/Velocità o PoE), gli utenti possono controllare lo stato della porta leggendo i comportamenti LED nelle tabelle di seguito riportate.

LED modalità Collegamento/Attivazione/Velocità

AXIS T8516 PoE+ Network Switch

LED	Colore	Indicazione
Porte RJ45	Verde (acceso)	La porta è attivata e si è stabilito un collegamento al dispositivo connesso, e la velocità di connessione è 1000 Mbps.
	Verde (lampeggiante)	La porta sta trasmettendo/ricevendo pacchetti e la velocità di connessione è 1000 Mbps.
	Giallo (acceso)	La porta è attivata e si è stabilito un collegamento al dispositivo connesso, e la velocità di connessione è 10/100 Mbps.
	Giallo (lampeggiante)	La porta sta trasmettendo/ricevendo pacchetti e la velocità di connessione è 10/100 Mbps.
	N/A	La porta non ha un cavo di rete connesso o non ha stabilito un collegamento al dispositivo connesso. Altrimenti, la porta potrebbe essere stata disattivata attraverso l'interfaccia utente del dispositivo.
Porte SFP	Verde (acceso)	La porta è attivata e si è stabilito un collegamento al dispositivo connesso, e la velocità di connessione è 1000 Mbps.
	Verde (lampeggiante)	La porta sta trasmettendo/ricevendo pacchetti e la velocità di connessione è 1000 Mbps.
	Giallo (acceso)	La porta è attivata e si è stabilito un collegamento al dispositivo connesso, e la velocità di connessione è 100 Mbps.

	Giallo (lampeggiante)	La porta sta trasmettendo/ricevendo pacchetti e la velocità di connessione è 100 Mbps.
	N/A	La porta non ha un cavo di rete connesso o non ha stabilito un collegamento al dispositivo connesso. Altrimenti, la porta potrebbe essere stata disattivata attraverso l'interfaccia utente del dispositivo.

LED modalità PoE

LED	Colore	Indicazione
Porte RJ45	Verde (acceso)	La porta è abilitata e fornisce alimentazione al dispositivo connesso.
	Giallo (acceso)	Uno stato non normale, ad esempio di sovraccarico, è stato rilevato nel dispositivo.
	N/A	La porta non ha un cavo di rete connesso o non è collegata al dispositivo PD PoE. Altrimenti, la porta potrebbe essere stata disattivata attraverso l'interfaccia utente del dispositivo.

Información de seguridad

Lea esta Guía de instalación con atención antes de instalar el producto. Guarde la Guía de instalación para poder consultarla en otro momento.

Niveles de peligro

▲PELIGRO

Indica una situación peligrosa que, si no se evita, provocará lesiones graves o la muerte.

▲ADVERTENCIA

Indica una situación peligrosa que, si no se evita, puede provocar lesiones graves o la muerte.

▲ATENCIÓN

Indica una situación peligrosa que, si no se evita, puede provocar lesiones moderadas o leves.

AVISO

Indica una situación peligrosa que, si no se evita, puede provocar daños materiales.

Otros niveles de mensaje

Importante

Indica información importante que es fundamental para que el producto funcione correctamente.

Nota

Indica información útil que ayuda a aprovechar el producto al máximo.

Instrucciones de seguridad

AVISO

- El producto de Axis debe utilizarse de acuerdo con las leyes y normativas locales.
- Utilice solo las herramientas correspondientes cuando instale el producto de Axis. La aplicación de una fuerza excesiva con herramientas eléctricas puede provocar daños en el producto.
- No utilice limpiadores en aerosol, agentes cáusticos ni productos químicos.
- Limpie con un paño limpio humedecido con agua pura.
- Utilice solo accesorios que cumplan con las especificaciones técnicas del producto. Estos accesorios los puede proporcionar Axis o un tercero.
- Utilice solo piezas de repuesto proporcionadas o recomendadas por Axis.
- No intente reparar el producto usted mismo. Póngase en contacto con el servicio de asistencia técnica de Axis o con su distribuidor de Axis para tratar asuntos de reparación.

Transporte

AVISO

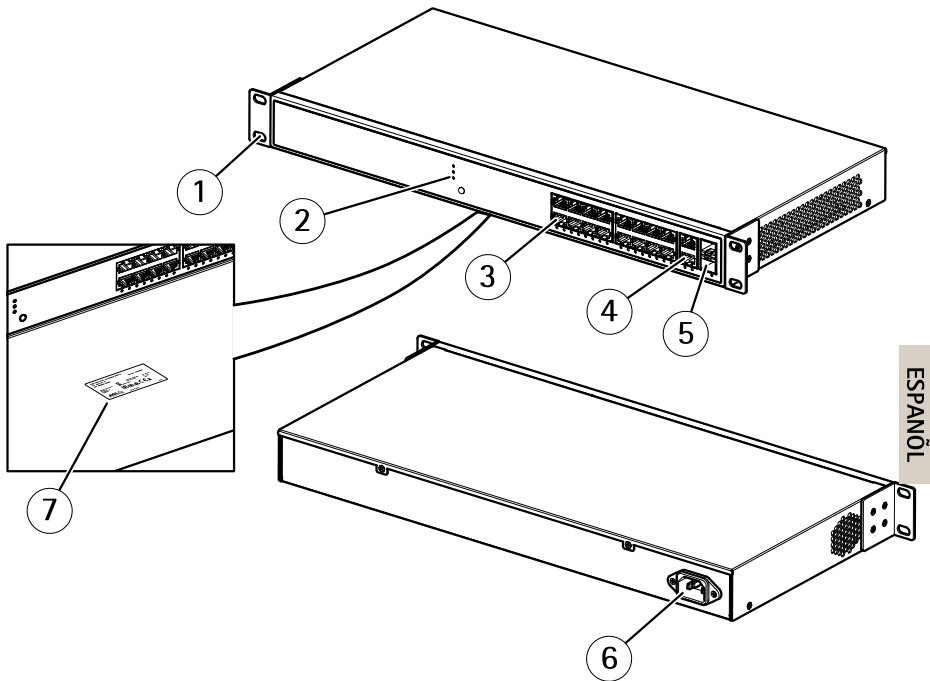
- Cuando transporte el producto de Axis, utilice el embalaje original o un equivalente para evitar daños en el producto.

Instalación del hardware

Contenido del paquete

- Switch de red AXIS T8516 POE+
- Cable de alimentación
- Patas de goma (4)
- Kit de montaje en bastidor
- Guía de instalación

Información general del hardware

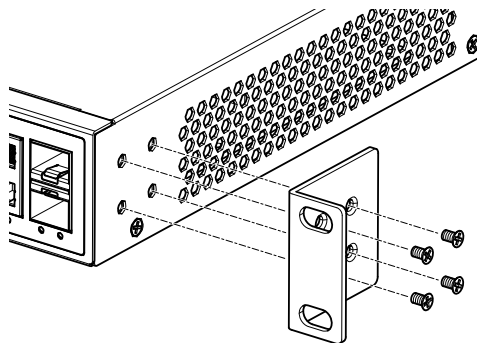


- 1 Soporte
- 2 LED (panel delantero)
- 3 Puertos RJ45 PoE 1-16

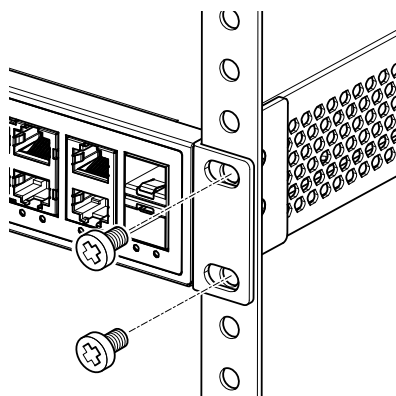
AXIS T8516 PoE+ Network Switch

- 4 Puertos RJ45 17-18
- 5 Ranura SFP 17-18
- 6 Conector de alimentación
- 7 Etiqueta del producto

Instalación del producto en un bastidor



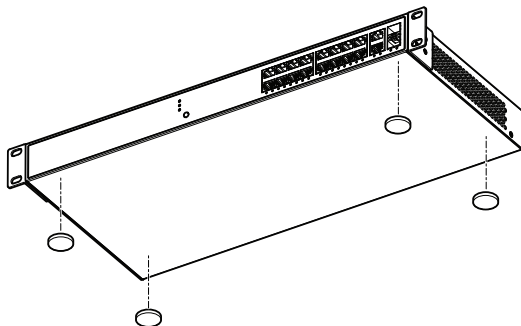
1. Fije los soportes de montaje a ambos lados del chasis. Inserte los tornillos y apriételos con un destornillador para fijar los soportes.
2. Coloque el producto sobre una estantería del bastidor. Empújelo hasta que los orificios ovalados de los soportes se alineen con los orificios de montaje de los postes del bastidor.



3. Fije los soportes en los postes. Introduzca los tornillos y apriételos.

Instalación del producto en un escritorio o estantería

1. Compruebe que el banco de trabajo sea sólido y esté conectado a tierra de manera fiable.



2. Fije las cuatro patas de goma adhesivas a la parte inferior del producto.

Pasos para la instalación

1. Conecte un cable de red estándar al puerto RJ45 17 o 18 del producto.
2. Conecte el otro extremo del cable al ordenador.
3. Conecte el cable de alimentación al producto.
4. Conecte el otro extremo del cable de alimentación a una toma de CA estándar. El LED de sistema se enciende y confirma que el dispositivo recibe corriente correctamente.
5. Utilice la utilidad AXIS IP Utility o AXIS Camera Management para localizar el producto en la red.
6. Utilice el nombre de usuario y la contraseña indicados en la etiqueta del producto para introducir el producto.
7. Siga las instrucciones de la pantalla.

Importante

Solo utilice el cable de alimentación proporcionado para alimentar el producto.

Nota

Por motivos de seguridad, se recomienda cambiar la contraseña predeterminada.

Instalación de módulos SFP

Puede instalar o extraer un módulo SFP mini-GBIC de una ranura SFP sin necesidad de apagar el producto. Las ranuras SFP 17-18 se comparten con los puertos RJ-45 17-18.

Importante

Si se instala un mini-GBIC en una ranura 17-18, el puerto RJ-45 17-18 asociado se desactivará y no podrá utilizarse. Asegúrese de que el cable de red no esté conectado al puerto RJ-45 17-18 cuando instale o extraiga un mini-GBIC.

1. Introduzca el módulo en la ranura SFP.
2. Presione con firmeza para asegurarse de que el módulo se asienta en el conector.

Aviso sobre alimentación

El producto es un dispositivo que precisa estar conectado a una fuente de alimentación; es decir, no funcionará si no se le proporciona corriente. Considere la posibilidad de utilizar un SAI (Sistema de Alimentación Ininterrumpido) con el fin de evitar la pérdida de datos de red o los tiempos de inactividad de la red.

También puede resultar útil instalar un dispositivo de supresión de sobretensiones para evitar que el producto resulte dañado ante cualquier sobretensión o corriente no controladas hacia el producto o el cable de alimentación.

Cómo utilizar el botón de modo/restablecimiento

Al pulsar el botón de **modo/restablecimiento** durante un periodo de tiempo determinado, los usuarios pueden realizar las siguientes tareas:

- Cambiar entre los modos de estado de puerto Enlace/Act/Velocidad y PoE
- Restablecer el producto a los ajustes de configuración guardados anteriormente
- Restablecer el producto a la configuración predeterminada de fábrica original

Botón de modo/restablecimiento

AXIS T8516 PoE+ Network Switch

Tarea que realizar	Tiempo que debe presionarse el botón	LED	Comportamiento del LED de estado del puerto
Cambiar entre los modos de estado de puerto Enlace/Act/Velocidad y PoE	0-2 segundos	Verde (fijo)	El estado del LED cambia según el modo seleccionado.
Restablecer el producto	2-7 segundos	Verde (parpadeante)	Las luces de todos los LED están APAGADAS.
Restablecer a la configuración predeterminada de fábrica original	7-12 segundos	Verde (parpadeante)	Las luces de todos los LED están ENCENDIDAS.

Material de referencia

Indicadores LED

LED de sistema

LED	Color	Indicación
Sistema	Verde (fijo)	El switch está ENCENDIDO.
	No procede	El switch no recibe alimentación.
	Rojo (fijo)	Se ha detectado un estado anómalo en el switch: por ejemplo, se ha superado el rango de temperatura de funcionamiento.

LED de modo

LED	Color	Indicación
Enlace/Act/Velocidad	Verde (fijo)	Los LED de estado de puerto RJ45/SFP muestran el estado del enlace y de actividad de red de cada puerto, con velocidad de conexión de 1000 Mbps.
	Ámbar (fijo)	Los LED de estado de puerto RJ45/SFP muestran el estado del enlace y de actividad de red de cada puerto, con velocidad de conexión de 10/100 Mbps.
PoE	Verde (fijo)	Los LED de estado de puerto RJ45 muestran el estado de alimentación PoE de cada puerto.

Al pulsar el botón de **modo/restablecimiento** durante menos de 2 segundos para cambiar los LED de modo (Enlace/Act/Velocidad o PoE), los usuarios pueden comprobar el estado del puerto leyendo el comportamiento del LED que figura en las siguientes tablas.

LED de modo Enlace/Act/Velocidad

LED	Color	Indicación
Puertos RJ45	Verde (fijo)	El puerto está activado y ha establecido un enlace con un dispositivo conectado; la velocidad de conexión es de 1000 Mbps.
	Verde (parpadeante)	El puerto está transmitiendo/recibiendo paquetes y la velocidad de conexión es de 1000 Mbps.
	Ámbar (fijo)	El puerto está activado y ha establecido un enlace con un dispositivo conectado; la velocidad de conexión es de 10/100 Mbps.
	Ámbar (parpadeante)	El puerto está transmitiendo/recibiendo paquetes y la velocidad de conexión es de 10/100 Mbps.
	No procede	No hay ningún cable de red activo conectado o no se ha establecido enlace con ningún dispositivo conectado. Por otro lado, es posible que el puerto se haya desactivado a través de la interfaz del usuario.
Puertos SFP	Verde (fijo)	El puerto está activado y ha establecido un enlace con un dispositivo conectado; la velocidad de conexión es de 1000 Mbps.
	Verde (parpadeante)	El puerto está transmitiendo/recibiendo paquetes y la velocidad de conexión es de 1000 Mbps.
	Ámbar (fijo)	El puerto está activado y ha establecido un enlace con un dispositivo conectado; la

AXIS T8516 PoE+ Network Switch

		velocidad de conexión es de 100 Mbps.
	Ámbar (parpadeante)	El puerto está transmitiendo/recibiendo paquetes y la velocidad de conexión es de 100 Mbps.
	No procede	No hay ningún cable de red activo conectado o no se ha establecido enlace con ningún dispositivo conectado. Por otro lado, es posible que el puerto se haya desactivado a través de la interfaz del usuario.

LED de modo PoE

LED	Color	Indicación
Puertos RJ45	Verde (fijo)	El puerto está activado y proporciona alimentación al dispositivo conectado.
	Ámbar (fijo)	Se ha detectado un estado anómalo en el producto: por ejemplo, un estado de sobrecarga.
	No procede	No hay ningún cable de red activo conectado o no se ha conectado ningún dispositivo alimentado (PD) PoE. Por otro lado, es posible que el puerto se haya desactivado a través de la interfaz del usuario.

安全情報

本製品を設置する前に、このインストールガイドをよくお読みください。インストールガイドは、後で参照できるように保管しておいてください。

危険レベル

▲危険

回避しない場合、死亡または重傷につながる危険な状態を示します。

▲警告

回避しない場合、死亡または重傷につながるおそれのある危険な状態を示します。

▲注意

回避しない場合、軽傷または中程度の怪我につながるおそれのある危険な状態を示します。

注記

回避しない場合、器物の破損につながるおそれのある状態を示します。

その他のメッセージレベル

重要

製品を正しく機能させるために不可欠な重要情報を示します。

注意

製品を最大限に活用するために役立つ有用な情報を示します。

安全手順

注記

- 本製品は、お使いになる地域の法律や規制に準拠して使用してください。
- 本製品を設置する際には、適切な工具のみを使用してください。電動工具を使用して過剰な力をかけると、製品が損傷することがあります。
- 化学薬品、腐食剤、噴霧式クリーナーは使用しないでください。
- 清掃には、きれいな水に浸した清潔な布を使用してください。
- 製品の技術仕様に準拠したアクセサリのみを使用してください。これらのアクセサリは、Axisまたはサードパーティから入手できます。
- Axisが提供または推奨する交換部品のみを使用してください。
- 製品を自分で修理しないでください。修理については、Axisサポートまたは販売代理店にお問い合わせください。

輸送

注記

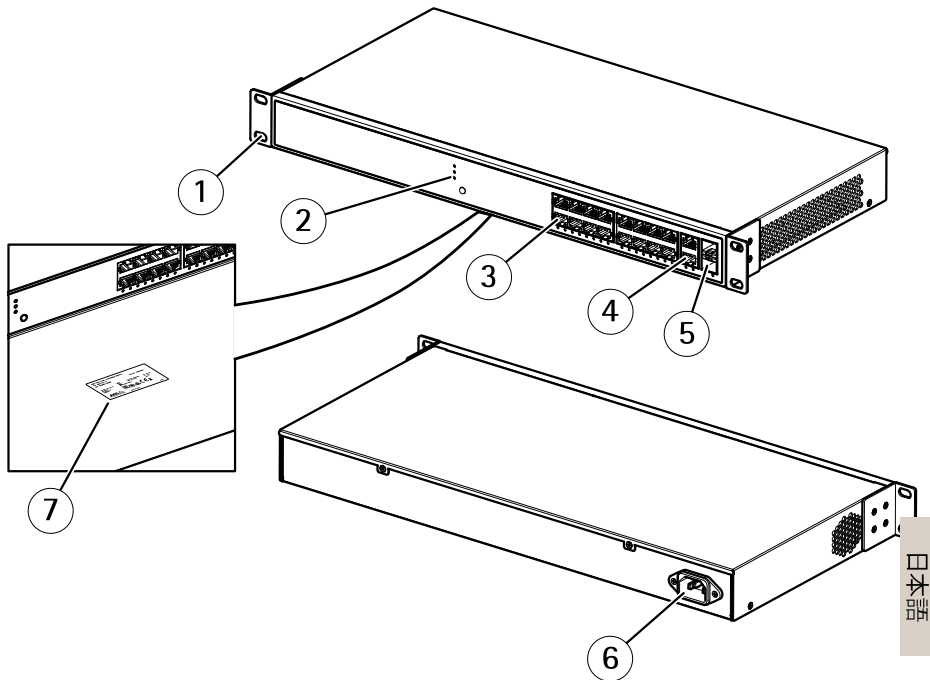
- 本製品を運搬する際は、製品が損傷しないよう、元の梱包か同等の梱包を使用してください。

ハードウェアの設置

パッケージの内容

- AXIS T8516 POE + ネットワークスイッチ
- 電力ケーブル
- ゴム足 (4個)
- ラック取り付けキット
- 取り付け説明書

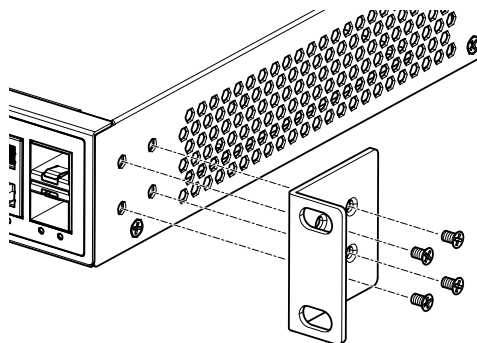
ハードウェアの概要



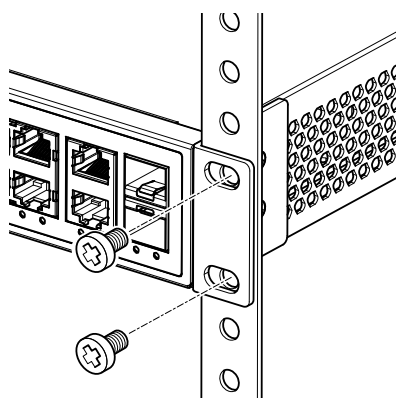
- 1 ブラケット
- 2 LED (フロントパネル)
- 3 RJ45 PoEポート1-16

- 4 RJ45ポート17-18
- 5 SFPスロット17-18
- 6 電源コネクタ
- 7 製品ラベル

ラック内への製品の設置



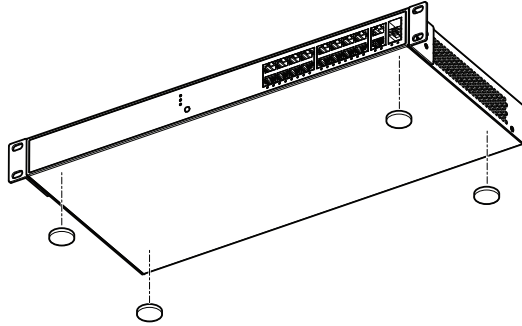
1. シャーシの両側に取り付けブラケットを付けます。ねじを挿入し、次にスクリュードライバで締めてブラケットを固定します。
2. ラック内のラックシェルフ上に製品を配置します。ブラケットの楕円形の穴がラックポストの穴に合致するまで製品を押し込みます。



3. ポストにブラケットを付けます。ねじを挿入し、締めます。

机または棚への製品の設置

1. 作業台が頑丈であり確実に接地されていることを確認します。



2. 4つの接着ゴム足を製品の底部に付けます。

設置工程

1. 製品のRJ45ポート17または18に標準ネットワークケーブルを接続します。
2. ケーブルの他端をコンピューターに接続します。
3. 製品に電源コードを接続します。
4. 電源コードの他端を標準ACコンセントに接続します。システムLEDが点灯し、機器の電源が正常に入ったことを確認します。
5. AXIS IP UtilityまたはAXIS Camera Managementを使用してネットワーク上の製品を探します。
6. 製品ラベル上のユーザー名およびパスワードを使用して製品を入力します。
7. スクリーン上の指示に従ってください。

重要

付属の電源コードのみを使用して製品に電力を供給します。

注意

セキュリティ目的のために、デフォルトのパスワードを変更することが推奨されます。

SFPモジュールの設置

製品の電源を切る必要なしにmini-GBIC SFPモジュールを設置することまたはSFPスロットから除去することができます。SFPスロット17-18はRJ-45ポート17-18と共用します。

AXIS T8516 PoE+ Network Switch

重要

mini-GBICがスロット17-18に設置された場合、関連付けられているRJ-45ポート17-18は無効となり、使用することができません。mini-GBICを設置または除去する場合、ネットワークケーブルがRJ-45ポート17-18に接続されていないことを確かめてください。

1. SFPスロットにモジュールを挿入します。
2. モジュールがコネクタに固定されているのを確認するために、しっかりと押してください。

電力通知

製品は電力を必要とする機器であり、製品に電流が供給されるまで製品が機能しないことを意味します。ネットワークデータの損失やネットワークのダウンタイムを回避するため、UPS(無停電電源装置)の使用を検討してください。

また、サージ抑制機器を設置することにより、製品または電源コードに対する制御されていないサージまたは電流による損傷から製品を保護するのに役立ちます。

モード／リセットボタンの使用方法

一定の期間にわたってモード／リセット ボタンを押すことにより、ユーザーは以下のタスクを実行することができます。

- Link/Act/SpeedとPoEの間でポートステータスモードを変更します。
- 保存した元の構成設定に製品をリセットします。
- 製品を当初の出荷時の初期設定に戻します。

モード／リセットボタン

実行すべきタスク	ボタンを押す期間	LED	ポートステータスLEDの挙動
Link/Act/SpeedとPoEの間でポートステータスモードを変更します。	0-2秒	緑（点灯）	LED状態は選択されたモードにより変化します。
製品をリセットします。	2-7秒	緑（点滅）	全てのLEDのライトをオフにします。
当初の出荷時の初期設定に戻します。	7-12秒	緑（点滅）	全てのLEDのライトをオンにします。

参考資料

LEDインジケータ

システムLED

LED	カラー	表示
システム	緑（点灯）	スイッチの電源を入れます。
	無点灯	スイッチは電力を受信していません。
	赤（点灯）	動作温度範囲を超えるなどの異常状態がスイッチ内で検出されています。

モードLED

LED	カラー	表示
Link/Act/Speed	緑（点灯）	RJ45/SFPポートステータスLEDは1000Mbpsの接続速度で各ポートのリンク状態およびネットワークアクティビティを表示しています。
	橙（点灯）	RJ45/SFPポートステータスLEDは10/100Mbpsの接続速度で各ポートのリンク状態およびネットワークアクティビティを表示しています。
PoE	緑（点灯）	RJ45ポートステータスLEDは各ポートのPoE電源供給状態を表示しています。

LEDモード（Link/Act/SpeedモードまたはPoEモード）を変更するために2秒未満の間**モード/リセット** ボタンを押すことにより、下表中のLEDの挙動を読み取ることで、ユーザーはポートの状態をチェックすることができます。

AXIS T8516 PoE+ Network Switch

Link/Act/Speed モードLED

LED	カラー	表示
RJ45ポート	緑（点灯）	ポートが有効となり、接続機器へのリンクを確立し、接続速度は1000Mbpsです。
	緑（点滅）	ポートがパケットを送受信しており、接続速度は1000Mbpsです。
	橙（点灯）	ポートが有効となり、接続機器へのリンクを確立し、接続速度は10/100Mbpsです。
	橙（点滅）	ポートがパケットを送受信しており、接続速度は10/100Mbpsです。
	無点灯	ポートには接続されているアクティブなネットワークケーブルが付いていないかまたは接続機器に対するリンクが確立されていません。さもなければ、製品のユーザーインターフェースによりポートが無効になる場合があります。
SFPポート	緑（点滅）	ポートが有効となり、接続機器へのリンクが確立され、接続速度は1000Mbpsです。
	緑（点滅）	ポートがパケットを送受信しており、接続速度は1000Mbpsです。
	橙（点灯）	ポートが有効となり、接続機器へのリンクを確立し、接続速度は100Mbpsです。

	橙（点滅）	ポートがパケットを送受信しており、接続速度は100Mbpsです。
	無点灯	ポートには接続されているアクティブなネットワークケーブルが付いていないかまたは接続機器に対するリンクが確立されていません。さもなければ、製品のユーザーインターフェースによりポートが無効になる場合があります。

PoEモードLED

LED	カラー	表示
RJ45ポート	緑（点灯）	ポートが有効となり、接続機器に電力を供給しています。
	橙（点灯）	過負荷状態などの異常状態が製品内で検出されています。
	無点灯	ポートには接続されているアクティブなネットワークケーブルが付いていないかまたはPoE PD機器が接続されていません。さもなければ、製品のユーザーインターフェースによりポートが無効になる場合があります。

安全信息

安装该产品前请仔细阅读该安装指南。请保管好安装指南以供以后查阅。

危险等级

▲危险

表示有危险的情形，如果不能避免，将导致死亡或严重的个人伤害。

▲警告

表示有危险的情形，如果不能避免，将导致死亡或严重的个人伤害。

▲小心

表示有危险的情形，如果不能避免，将导致轻微或中度的个人伤害。

注意

表示一种情形，如果不能避免，将导致对财产的损坏。

其它消息等级

重要

表示对于产品正常运行必不可少的重要信息。

备注

表示有助于充分利用产品的有用信息。

安全说明

注意

- 使用该安讯士产品必须符合当地法律法规要求。
- 安装安讯士产品时，请使用适用工具。使用电动工具时过度用力可能对产品造成损坏。
- 请勿使用化学制剂、腐蚀性制剂或气雾性清洁剂。
- 使用浸有净水的干净抹布进行清洁。
- 所用附件必须符合该产品的技术规格要求。可由安讯士或第三方供应商提供。
- 必须使用安讯士提供或推荐的零件。
- 请勿试图自己修理该产品。维修事务请联系安讯士支持人员或您的安讯士经销商。

运输

注意

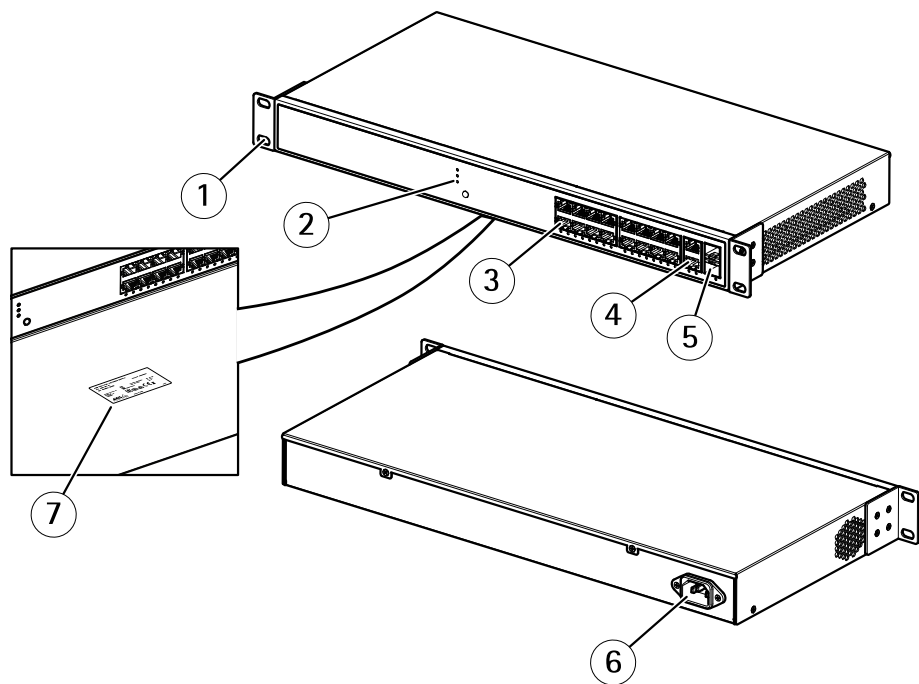
- 安讯士产品运输途中，应使用其原包装或等效包装，以防对产品造成损坏。

安装硬件

包装内容

- AXIS T8516 POE+ 网络交换机
- 电源线
- 橡胶脚 (4 个)
- 机架安装套件
- 安装指南

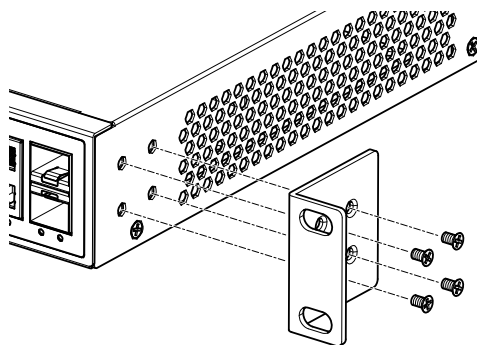
硬件概览



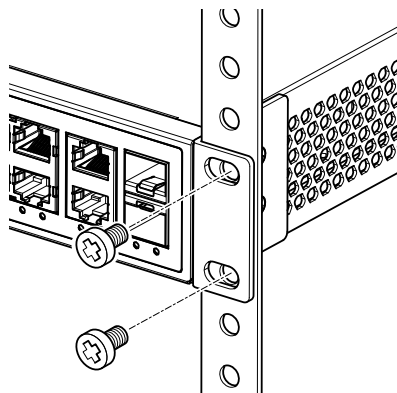
- 1 支架
- 2 LED (前面板)
- 3 RJ45 PoE 端口 1-16

- 4 RJ45 端口 17-18
- 5 SFP 端口 17-18
- 6 电源接口
- 7 产品标签

在机架中安装该产品



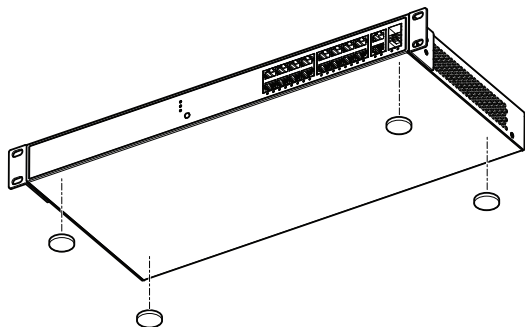
1. 将安装支架安装至机箱的两侧。插入螺丝，使用螺丝刀拧紧，以紧固支架。
2. 将该产品置于机架的托架上。推动它，直到支架中的椭圆孔与机架杆中的安装孔对齐。



3. 将支架安装至这些柱中。插入并拧紧螺丝。

将产品安装在办公桌或托架上

1. 检查确认工作台坚固且可靠接地。



2. 将四个粘合橡胶脚安装在产品底部。

安装步骤

1. 将标准网线连接至产品上的 RJ45 端口 17 或 18。
2. 将线缆的另一端连接至电脑。
3. 将电源线连接至产品。
4. 将电源线的另一端连接至标准 AC 插座。系统 LED 指示灯亮起表明设备成功启动。
5. 使用 AXIS IP Utility 或 AXIS Camera Management 查找网络上的产品。
6. 使用产品标签上的用户名和密码输入产品。
7. 按照屏幕上的说明进行操作。

重要

仅使用随附的电源线为产品供电。

备注

为确保安全，建议修改默认密码。

安装 SFP 模块

您可从 SFP 插槽中安装或卸除 mini-GBIC SFP 模块，无需关闭产品。RJ-45 端口 17-18 共用 SFP 插槽 17-18。

重要

如果 mini-GBIC 安装在插槽 17-18 中，关联的 RJ-45 端口 17-18 被禁用且不可使用。在安装或卸除 mini-GBIC 时，确保网线未连接 RJ-45 端口 17-18。

1. 将模块插入 SFP 插槽。
2. 用力按下，确保模块妥当装入接口中。

电源声明

该产品是一种需要电源的设备，即它只有在通电情况下才可运行。考虑使用 UPS（不间断电源）以避免网络数据丢失或网络宕机。

安装浪涌抑制设备还可有助于保护产品免受产品或电源线非调节浪涌或电流的破坏。

如何使用 Mode/Reset（模式/重置）按钮

在某个时段按下 **模式/重置** 按钮，用户便可实施下列任务。

- 在端口状态模式 Link/Act/Speed（链路/行为/速度）和 PoE 之间改变。
- 将产品重置为之前已保存的配置设置。
- 将产品恢复为原始出厂默认设置。

Mode/Reset（模式/重置）按钮

待实施的任务	按下按钮的时段	LED	端口状态 LED 行为
在 Link/Act/Speed（链路/行为/速度）和 PoE 之间改变端口状态模式。	0-2 秒	绿色（亮起）	LED 状态根据所选模式变化。
重置产品	2-7 秒	绿色（闪烁）	所有 LED 指示灯关闭
恢复为原始出厂默认设置	7-12 秒	绿色（闪烁）	所有 LED 指示灯开启

参考材料

LED 指示灯

系统 LED 指示灯

LED	颜色	指示
系统	绿色（亮起）	交换机开启。
	不适用	交换机未通电。
	红色（亮起）	交换机中检测到异常状态，如超过工作温度范围。

模式 LED 指示灯

LED	色彩	指示
链路/行为/速度	绿色（亮起）	RJ45/SFP 端口状态 LED 指示灯显示每个端口的链路状态和网络活动情况，连接速度为 1000Mbps。
	琥珀色（亮起）	RJ45/SFP 端口状态 LED 指示灯显示每个端口的链路状态和网络活动情况，连接速度为 10/100Mbps。
PoE	绿色（亮起）	RJ45 端口状态 LED 正显示每个端口的 PoE 供电状态。

通过在不到 2 秒内按下**模式/重置**按钮以改变 LED 模式（链路/行为/速度模式或 PoE 模式），用户可在下表中读取 LED 行为，查看端口状态。

链路/行为/速度模式 LED 指示灯

AXIS T8516 PoE+ Network Switch

LED	色彩	指示
RJ45 端口	绿色（亮起）	端口启用，与已连接设备建立链路，且连接速度为1000Mbps。
	绿色（闪烁）	端口正发送/接收数据包，且连接速度为1000Mbps。
	琥珀色（亮起）	端口启用，与已连接设备建立链路，且连接速度为10/100Mbps。
	琥珀色（闪烁）	端口正发送/接收数据包，且连接速度为10/100Mbps。
	不适用	端口未连接活动的网线，或未与已连接设备建立链路。或者，该端口可能通过产品用户界面被禁用。
SFP 端口	绿色（亮起）	端口启用，与已连接设备建立链路，且连接速度为1000Mbps。
	绿色（闪烁）	端口正发送/接收数据包，且连接速度为1000Mbps。
	琥珀色（亮起）	端口启用，与已连接设备建立链路，且连接速度为100Mbps。
	琥珀色（闪烁）	端口正发送/接收数据包，且连接速度为100Mbps。
	不适用	端口未连接活动的网线，或未与已连接设备建立链路。或者，该端口可能通过产品用户界面被禁用。

PoE 模式 LED 指示灯

LED	颜色	指示
RJ45 端口	绿色（亮起）	端口启用，且正向已连接设备供电。
	琥珀色（亮起）	产品中检测到异常状态，如过载状态。
	不适用	端口未连接活动的网线，或未连接至 PoE PD 设备。或者，该端口可能通过产品用户界面被禁用。

