

STAN

TIMELESS COAT STAND

CLOSE ²
CLOTHES

Simple and basic, the STAN coat stand is the accessory that will enhance your workspaces



8 large pegs for a perfect respect of the clothes + 2 hooks



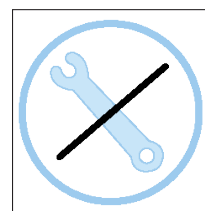
Practical umbrella stand (6) + 4 hooks



Weighted base for extra stability (5kg) + water retainer



Quick and easy assembly system without tools (5min)



Compact packaging to reduce the environmental impact



The Stan coat stand is the accessory to buy. With a refined style, this coat rack consists of a head made up of 8 pegs, an umbrella stand and a weighted metal base equipped with a water retainer.



Combining harmony and elegance, the Stan coat stand will fit perfectly into your work and reception areas...

STAN

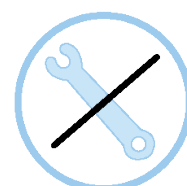
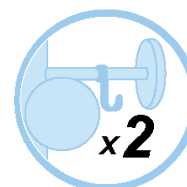
TIMELESS COAT STAND

CLOSE ²
CLOTHES

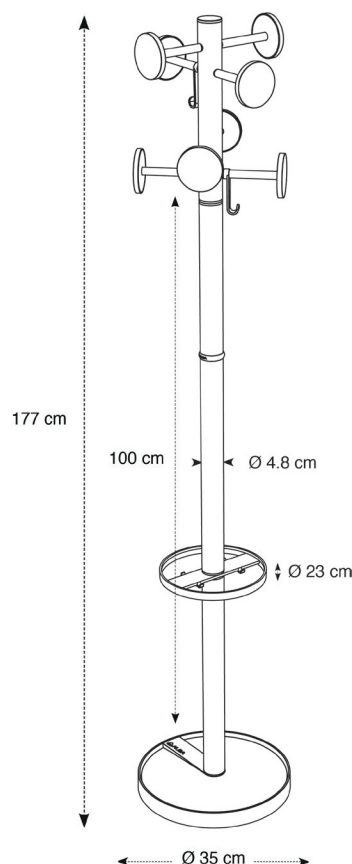
Simple and basic, the STAN coat stand is the accessory that will enhance your workspaces

| PRODUCT FEATURES | |
|-------------------------|--|
| Reference | PMSTAN3 M |
| EAN | 3129710011391 |
| Materials | Drum : Epoxy painted steel |
| | Pegs : ABS |
| | Base cover : ABS |
| Color | Silver grey - Black |
| Product dimensions | Height : 175 cm |
| | Drum : Ø 4.8 cm |
| | Base : Ø 35.5 cm |
| | Weight : 7.5 kg |
| Number of pegs | 8 + 2 hooks |
| Capacity of umbrellas | 6 + 4 hooks |
| Base | Weighted - 5 kg |
| Estimated assembly time | 5 minutes - Without tools or screws |
| Origin | French design and development - Manufacturing in PRC |
| Guarantee | 2 years |

| PACKAGING DIMENSIONS | |
|-------------------------|---|
| * Sales unit (x1SU) Box | Dim. : L. 60 cm x W. 40 cm x H. 11.7 cm |
| | Weight : 8.90 kg |
| * Box master (x1SU) | Dim. : L. 60 cm x W. 40 cm x H. 11.7 cm |
| | Weight : 8.90 kg |



EXISTING DESIGN :



Quand le beau rejoint l'utile