

## FPMA-D550SBLACK

## NEOMOUNTS MONITOR DESK STAND

### SPECIFICATIONS

#### GENERAL

Min. screen size*	13 inch
Max. screen size*	32 inch
Min. weight	0 kg (per screen)
Max. weight	8 kg (per screen)
Screens	1
VESA minimum	75x75 mm
VESA maximum	100x100 mm
Desk mount	Stand

#### FUNCTIONALITY

Type	Tilt Rotate Swivel
Height adjustment	5,6-41,9 cm
Tilt (degrees)	+45°, -45°
Swivel (degrees)	+90°, -90°
Rotate (degrees)	+180°, -180°
Height	50,1 cm
Width	39 cm
Depth	28 cm
Adjustment type	Manual

#### INFORMATION

Color	Black
Main material	Steel
Warranty	5 year
EAN code	8717371449247

\*Please note: The inch sizes stated are just an indication, combined with the weight and VESA sizes. The maximum weight and VESA size are absolute restrictions for the products and should not be exceeded.



### Neomounts FPMA-D550SBLACK full motion desk stand for 10-32" monitor screen, height adjustable - Black

The Neomounts desk mount, model FPMA-D550SBLACK is a tilt-, swivel and rotatable desk mount for monitors up to 32". The monitor arm is easy to place on the desk using a stand.

Neomounts' versatile tilt (90°), rotate (360°) and swivel (180°) technology allows the mount to change to any viewing angle to fully benefit from the capabilities of the flat screen. The mount is manually height adjustable from 5,6 to 41,9 centimeters. An innovative cable management routes cables from mount to flat screen. Additionally, the mount features a Quick-release VESA, that allows you to attach the monitor in a wink of an eye.

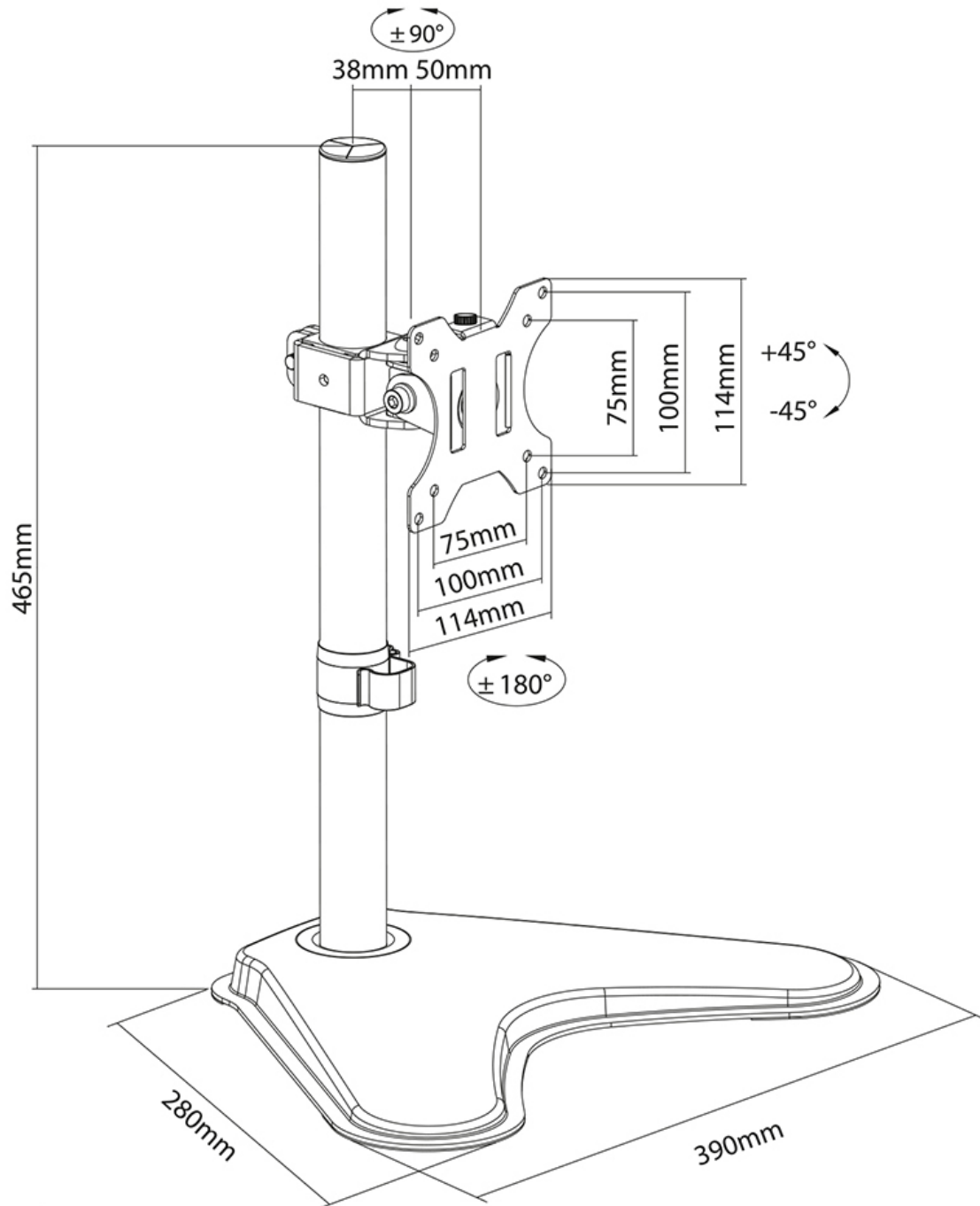
Neomounts FPMA-D550SBLACK is suitable for screens up to 32". The weight capacity of this product is 8 kg. The desk mount is suitable for screens that meet VESA hole pattern 75x75 or 100x100mm. Different hole patterns can be covered using Neomounts VESA adapter plates.

By using an ergonomic mount neck- and back complaints can be avoided. Ideal for use in offices and on counters or in a reception area.

All installation material is included with the product.

FPMA-D550BLACK

NEOMOUNTS MONITOR DESK STAND



Neomounts