

# HYDRA3XL

## Triple Monitor Mount with Articulating Arms

HYDRA3XL is an Articulating Triple-Head Monitor Mount. Sleek and modern design combined with durable real-world ergonomic engineering makes up the DNA of the Hydra.

Have Hydra work for you to help reduce strain and stress by having your display at the right position customized for you. Work more effectively by freeing-up your valuable desk space. Dynamically rotate and pivot screens when working on different tasks or sharing your display with others.

Have the flexibility to create your own personal workspace with these dynamic features:

- Mount Three 15-28" Flat or Curved Screen Monitors to a Desktop
- Also supports most 29" displays
- 360° monitor rotation, Landscape/Portrait
- Multiple Points of Articulation
- Attaches via Built-In Clamp
- Extension Arms Add 15" of Length, Increases Lateral Articulation
- Internal Cable Management
- Standard VESA 75x75 or 100x100

See more, Do more, and Be more with Amer Mounts



### Specifications

Max Hole Pitch :	• 100x100/75x75mm	Height Adjust Arm:	• Max. +/-45°
Material:	• Steel/Aluminum/Alloy/Plastic	Box weight:	• 8.94 kg (19.7lbs)
Colour:	• White/Black/Chrome	Unit Weight:	• 6.56 kg (14.46lbs)
Swivel(Hinge):	• Max. +/-180°	Box size (WxHxD)	• 490 x 475 x 153mm 19.29" x 18.7" x 6.02"
Tilt in the hinge:	• Max. -90°/+85°	Support Weight:	• 0-5kg (0-11lbs) Per Hinge
Rotate(Pole Pivot):	• 360°	Support Most Panel Size:	• 3 x 15"-28"

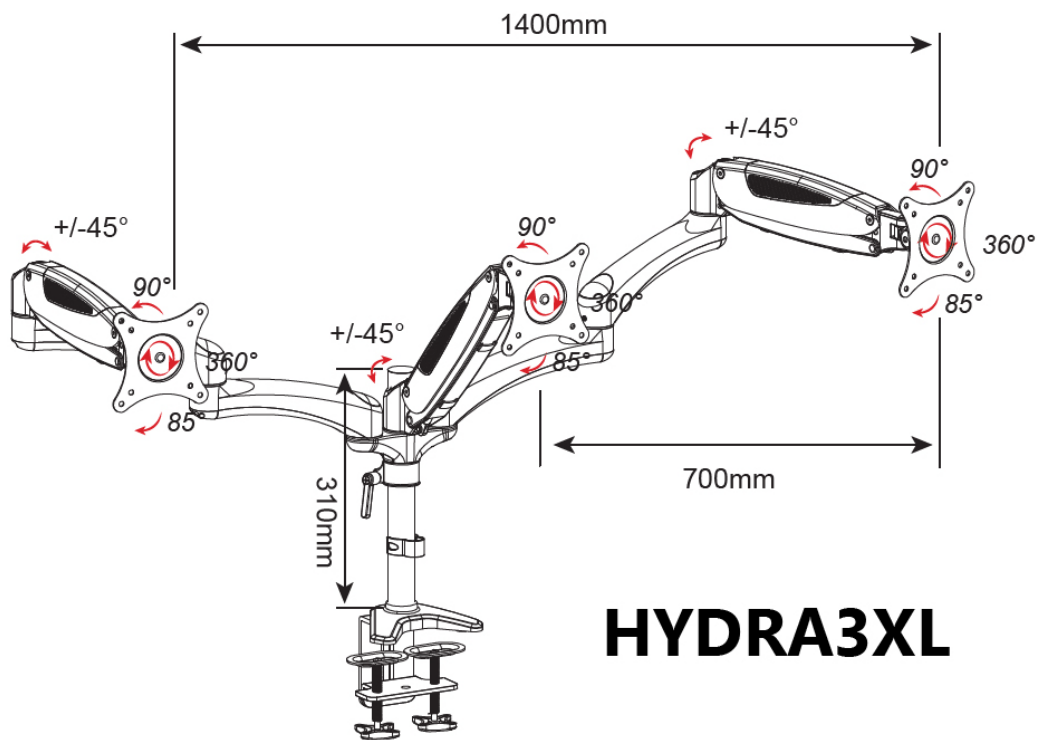
#### Warranty and Support

Warranty: 1 Year

Support: Free technical support (phone/email)

# HYDRA3XL

Triple Monitor Mount with Articulating Arms



[www.amer.com](http://www.amer.com) / [www.amermounts.com](http://www.amermounts.com)

[sales@amer.com](mailto:sales@amer.com)  
1-800-262-9703

Specifications subject to change without notice. Errors and omissions excepted. All trademarks are properties of their respective owners.

Revision 1.00