



LiDAR Navigation Robot Vacuum & Mop + Smart Auto-Empty Dock



4200Pa Hyper Suction

For a deeper, powerful clean

LiDAR & Gyro Dual Navi System

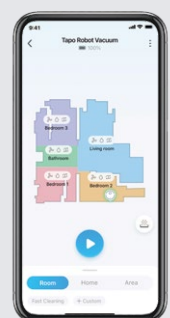
Higher precision mapping and navigation

70 Days without Emptying

Auto-empty with 4L large dust bag[†]

Vacuum and Mop Combo

Tackles sticky messes and kitchen grease



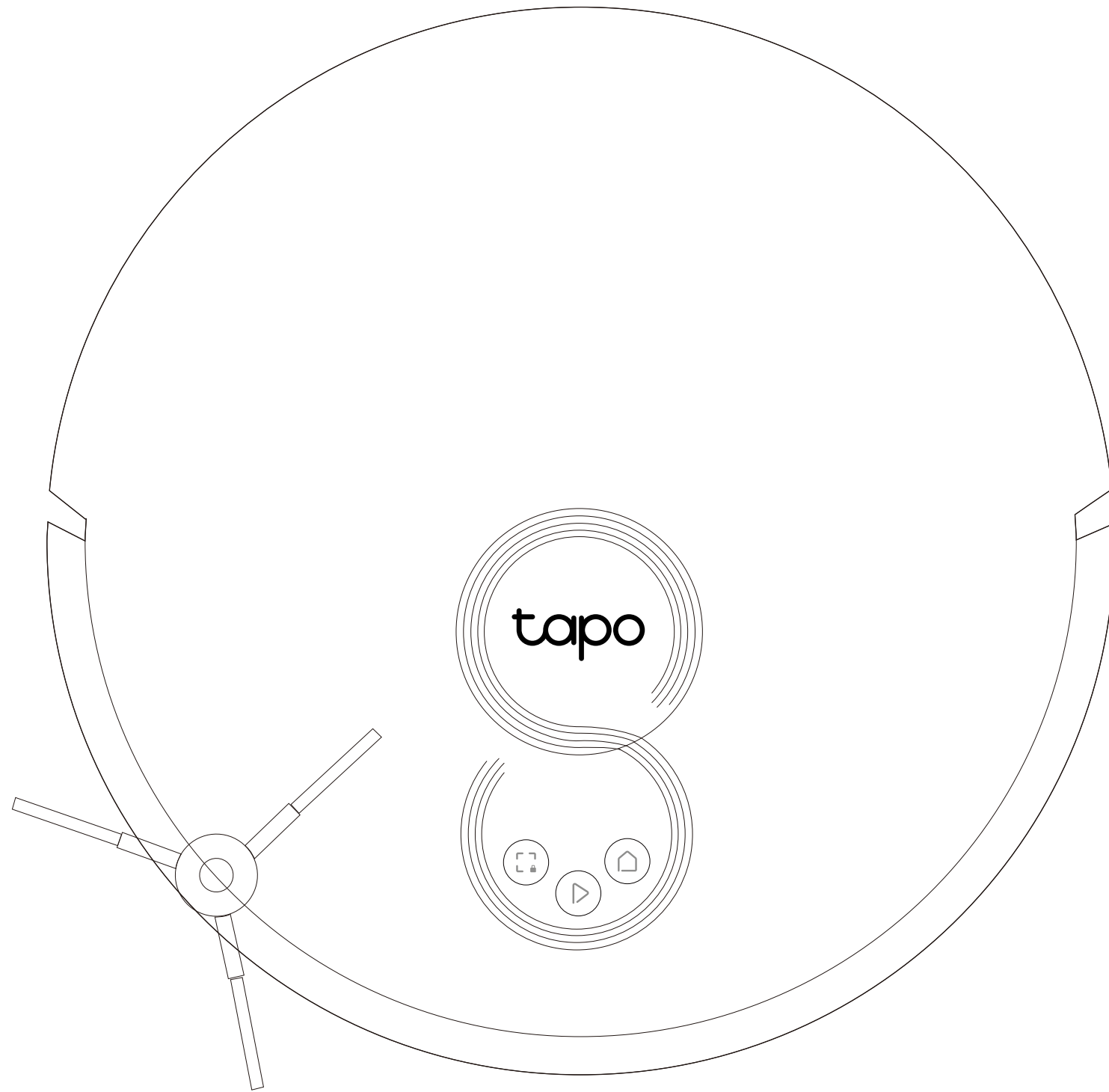
App Control



Tapo RV30 Plus

// Overview

Robot Vacuum



Power/Clean

- Press once: Start/pause cleaning.
- Press and hold for 5 seconds: Turn on/off the robot vacuum.

*For the first use, slide the power switch from OFF to ON to turn on.



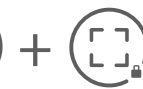
Dock

- Return to the dock to charge.
- Empty the bin when docked.



Spot Cleaning/Child Lock

- Press once: Start spot cleaning.
- Press and hold for 5 seconds: Turn on/off the child lock.



Combination Button

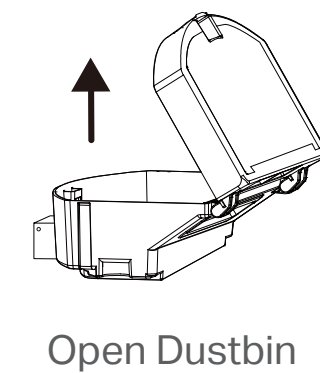
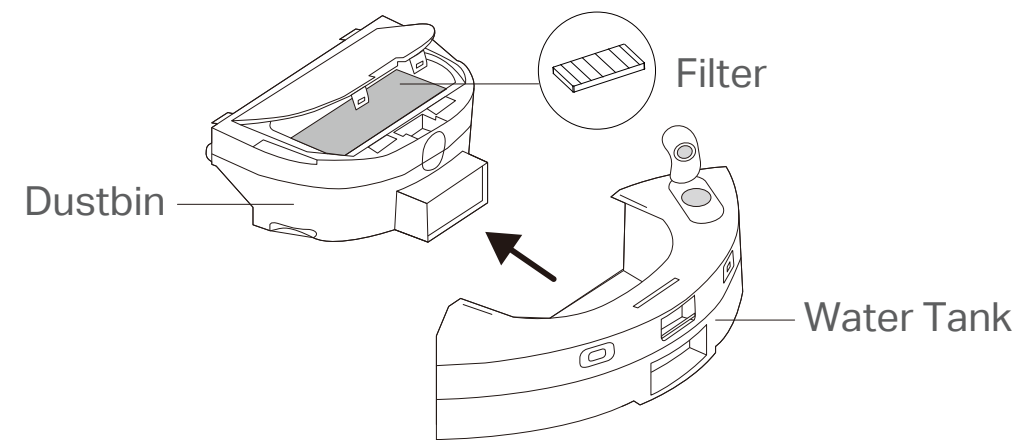
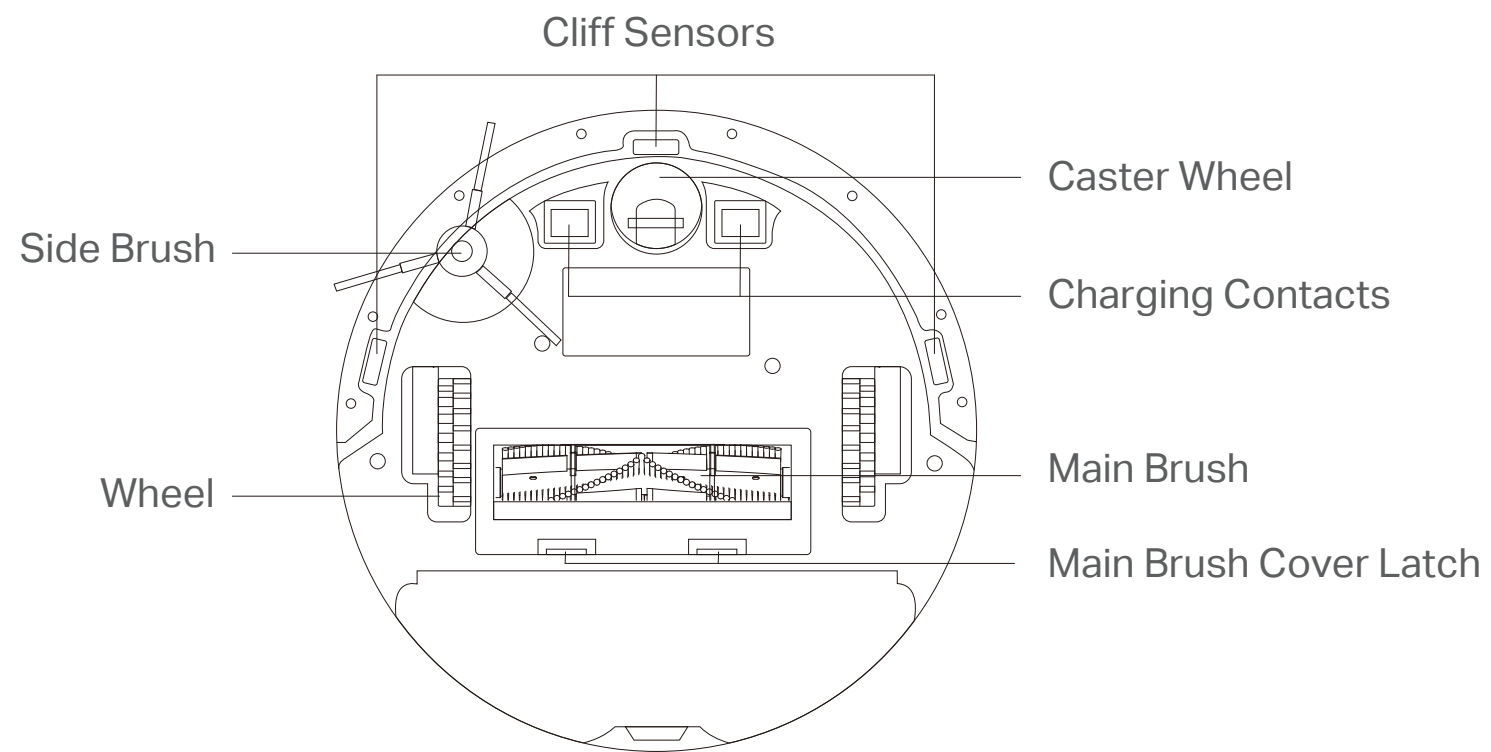
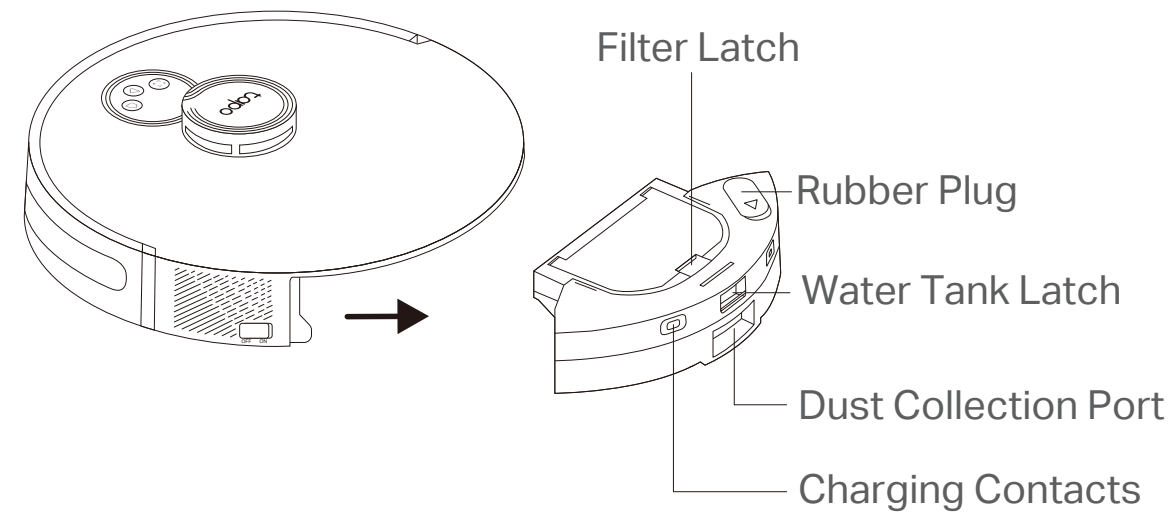
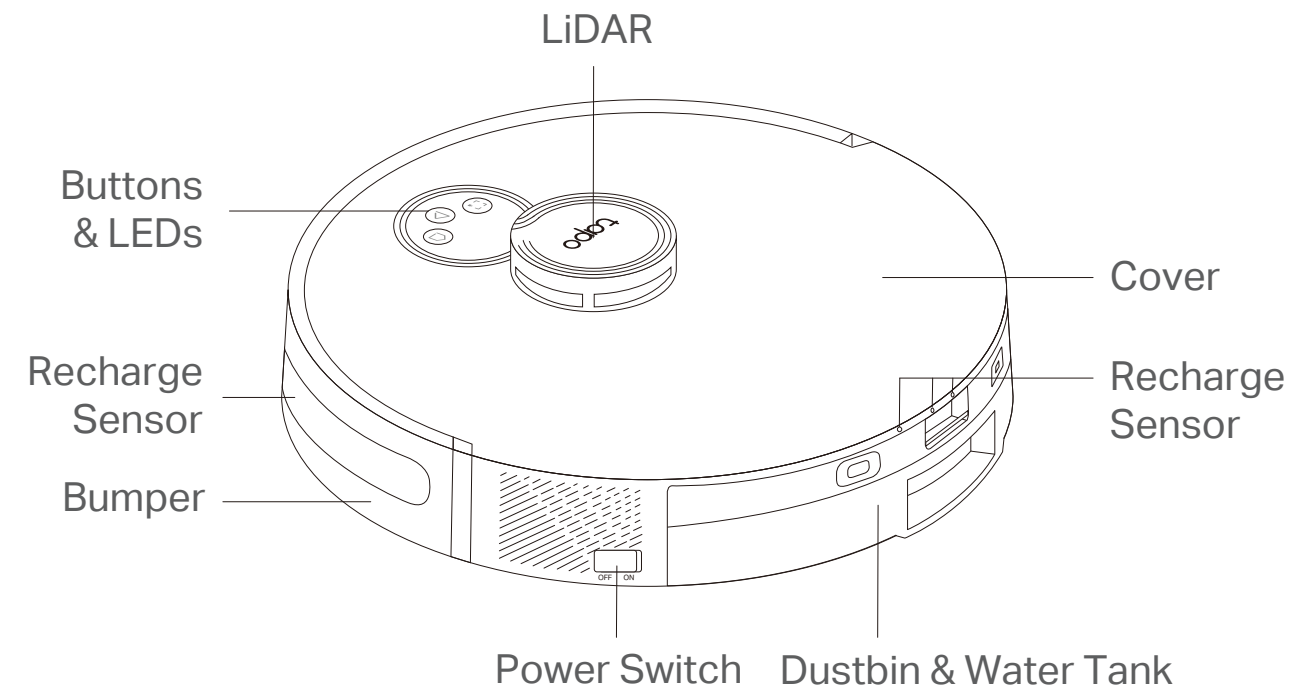
- Press and hold simultaneously for 5 seconds:
Enter setup mode to configure network.
- Press and hold simultaneously for 10 seconds:
Restore to factory default settings.



LED

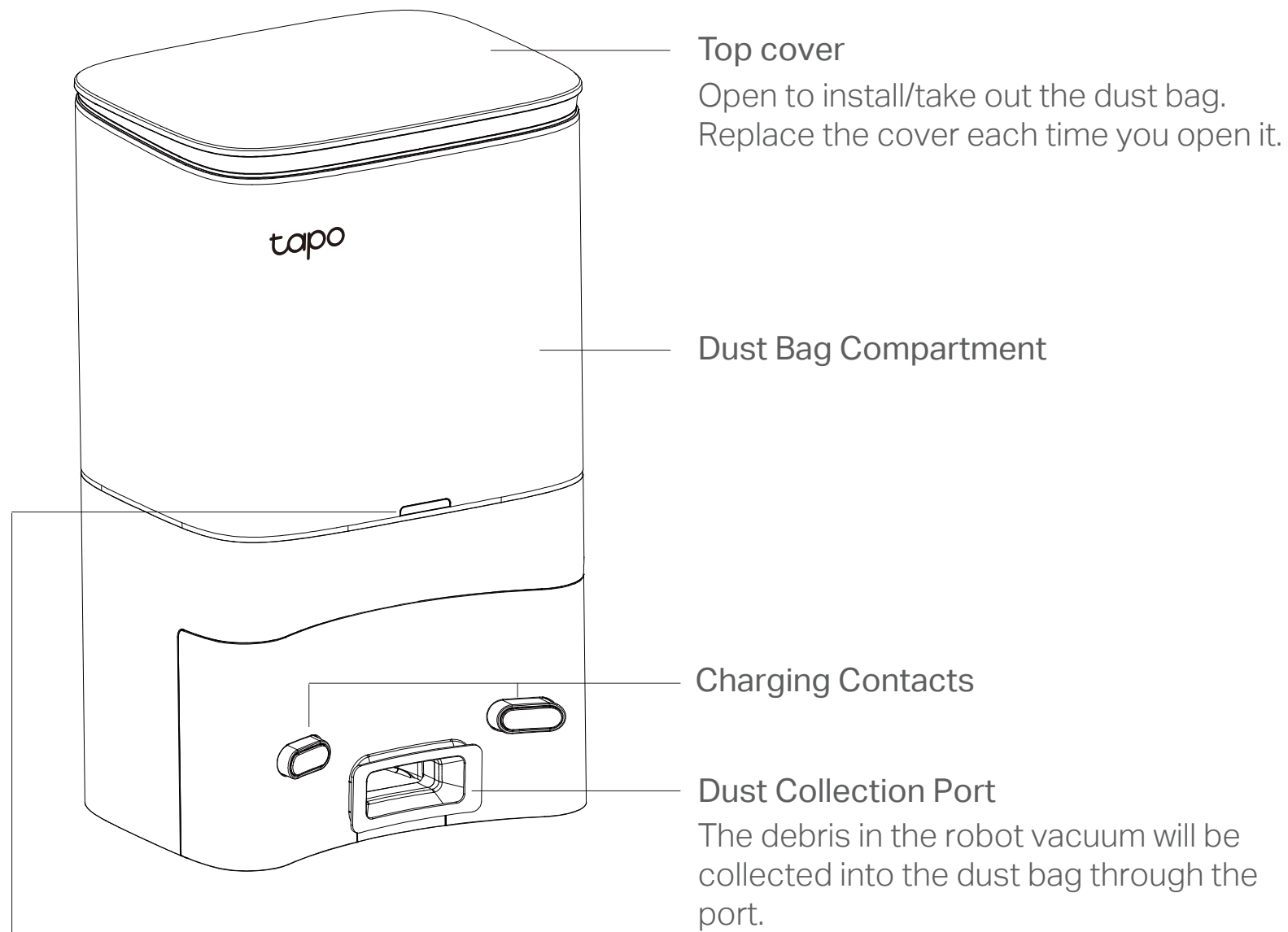
- **Red:** Battery level < 20%; Error
- **Orange:** Battery level between 20% and 80%
- **Green:** Battery level > 80%

Overview



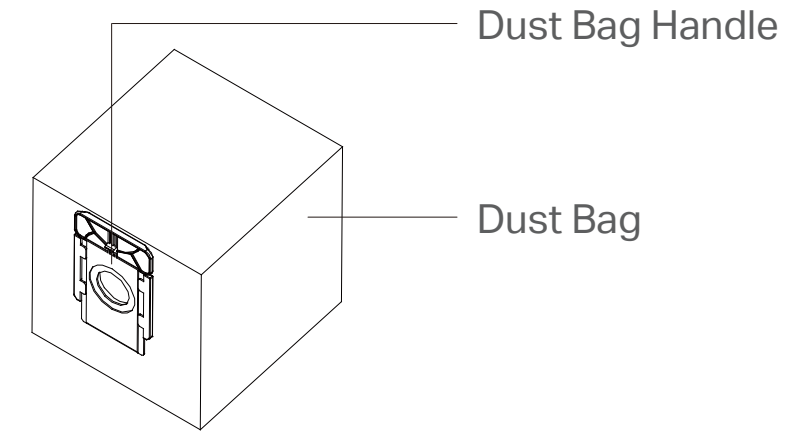
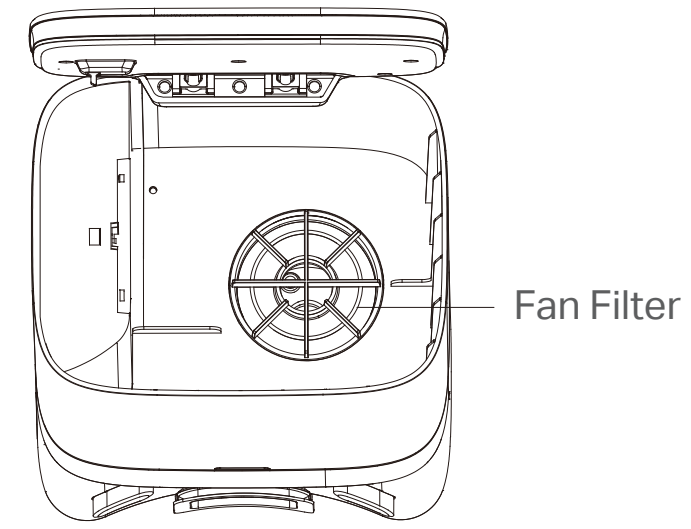
Overview

Auto-Empty Dock



LED Indicator

- White: Working properly
- Off: Robot vacuum is connected to the dock; sleeping.
- Solid Red: Dust bag not installed; top cover not closed.
- Flashing Red: Error



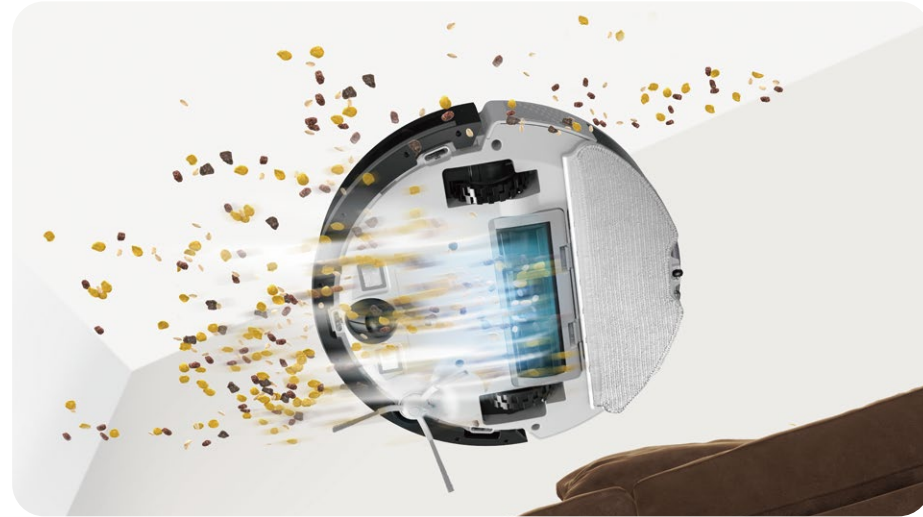
// Highlights

Up to 70 Days Hands-Free Cleaning

- **No-Fuss Auto Empty**
Automatically empties its dustbin after cleaning to keep your hands free
- **4L Sealed Disposable Dust Bag**
Dust stays out of sight for up to 70 days and your hands stay clean[†]
- **Empties without Residue**
The dock's strong 27000Pa suction power and shortened air duct help empty the dustbin within moments
- **Reduces Untimely Noise Interference**
Auto-adjusts emptying duration and follows do-not-disturb schedules to avoid noisy interruptions



// Highlights



4200Pa Hyper Suction

With industry-leading suction power up to 4200Pa, the Tapo Robot Vacuum is designed for a deeper clean that sweeps away debris sandwiched between gaps and dust hidden in carpets, leaving nothing but a spotless floor.

3-Hour Continuous Cleaning

5000 mAh energy-dense battery powers a long-lasting, fade-free suction.‡

Auto-Boost for Your Carpets

Automatically adjusts the suction power to the max mode when encountering carpets.



High-Precision Dual Navi System

A LiDAR and Gyro dual navigation system serves as the brain and accurately maps out your home in minutes, avoids omissions and repeated cleaning, and even works well in the dark.

Multi-Floor Local-Stored Maps

Recognizes different floors faster and accurately with 3 local-stored maps.

Anti-Drop Protection

Multiple cliff sensors avoid falls down stairs and ledges.



Mops and Vacuums Simultaneously

Mopping is essential for houses with hard floors, which need regular polishing. RV30 Plus provides a large 300ml water tank to cover up to 200 m² / 2100 ft². Vacuuming and mopping in one trip turns your thankless chore time into me time.[§]

Wet Hard Surfaces, Dry Carpets

Set no-go zones or virtual walls via Tapo app to keep your carpets nice and dry.

3-Level Electronic Mopping

Provides 3 water flows to suit different floor types with consistent and steady water pressure.

// Specifications

Care and Maintenance

To maintain optimal performance, maintain the robot vacuum according to the following guidelines.

Part	Maintenance Frequency	Replacement Frequency*
Dustbin	Clean/wash as needed	/
Filter	Once a week	3-6 months
Main Brush	Every 2 weeks	6-12 months
Side Brush	Once a month	3-6 months
Dust Bag	/	Replaced when it is full
Mop Cloth	After each use	2-3 months
Caster Wheel	Clean as needed	/
Main Wheels	Once a month	/
Sensors	Once a month	/
Charging Contacts	Once a month	/

*Replacement frequency may vary depending on the actual situation. Parts should be replaced if visible wear appears.

// Specifications

Mapping & Navigation Features

- Mapping/Path Planning: LiDAR + Gyroscope
- High-Precision Map: Yes
- Obstacle Avoidance: LiDAR
- Barrier-Cross Height: 20 mm/0.79 in
- Anti-Drop Protection : Yes

Dock Features

- Auto Dust Collection: Yes
- Suction Power of Auto-Empty Dock: 27000Pa
- Dust Bag Capacity: 4 L

Vacuuming Features

- Max Suction Power: 4200Pa
- Suction Level Adjustment: 4 levels
- Dustbin Capacity: 350ml
- Dustbin Detection: Yes
- HEPA Filter: Yes
- Carpet Boost: Yes, Electricity Recognition

Mopping Features

- Wet Mopping : Yes
- Mopping Type: Electric Water Flow Control
- Water Level Adjustment: 3 levels
- Water Tank Capacity: 300ml

Battery

- Battery Capacity : 5000 mAh
- Recharge & Resume: Yes

App Features

- Real-Time Tracking: Yes
- Multi-Floor Mapping: Yes
- Scheduled Cleaning: Yes
- Virtual Walls: Yes
- No-Go Zones: Yes
- Zone Cleaning: Yes

// Specifications

Physical

- Product Dimensions:

Robot Vacuum: 342.6 × 342.2 × 95 mm (13.5 × 13.5 × 3.7 in)

Auto-Empty Dock: 227 × 191.4 × 381.3 mm (8.9 × 7.5 × 15 in)

- Package Contents:

Robot Vacuum Cleaner ×1

Auto-Empty Dock ×1

Mop Cloth Mount ×1

Quick Installation Guide

Washable Mop Cloth ×2

4L Disposable Dust Bag ×2

Side Brush ×2

HEPA Filter ×2

Cleaning Brush ×1

Others

- Wireless Connection:

IEEE 802.11 b/g/n, 2.4 GHz band only;

Bluetooth 4.2 (only for onboarding)

- Rated Input Voltage: 220-240 VAC, 50Hz

- Max Charging Power Consumption: 18W (DC24V 750mA)

- Max Working Power Consumption:

Robot Vacuum: 45W

Auto-Empty Dock: 950W

- Works with Google Home: Yes

- Works with Amazon Alexa: Yes

[†]Based on internal testing. Actual emptying intervals are subject to change due to usage and environmental factors.

[‡]Based on internal testing carried out by the manufacturer, using quiet vacuuming mode with a full battery. Actual results may vary according to the working status and home environment.

[§]Based on internal testing carried out by the manufacturer, using low water flow with a full battery. Actual results may vary according to the home environment. It is recommended to mop with Tapo Robot Vacuum Foamless Hard-Surface Floor Cleaner.