



# MOCCAMASTER

HANDMADE

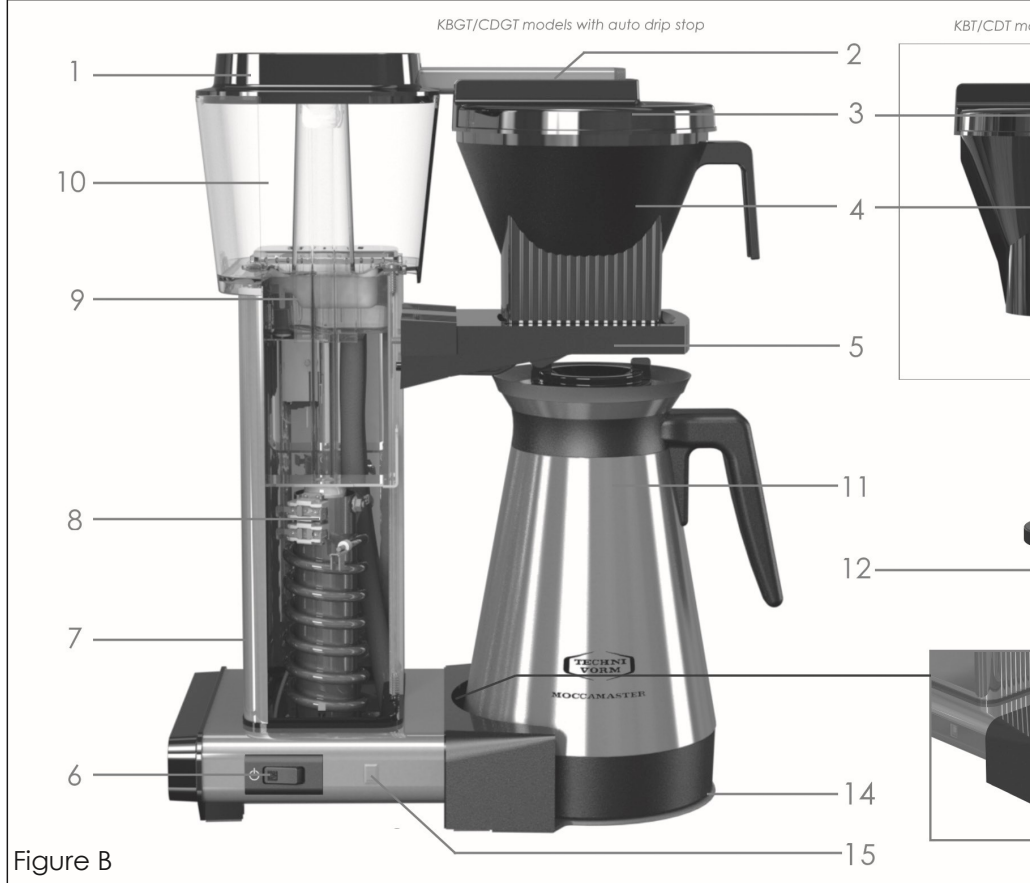
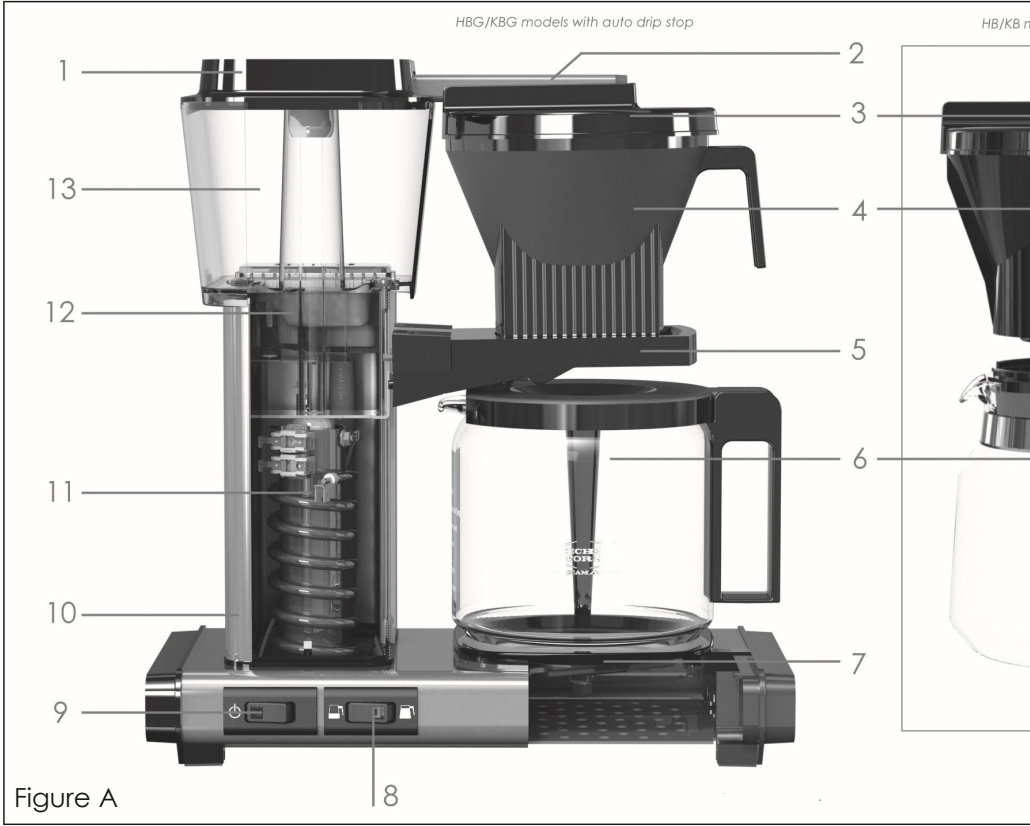
FOR THE  
REAL TASTE  
OF COFFEE



ENGLISH | NEDERLANDS | DEUTSCH  
FRANÇAIS | ESPAÑOL | ITALIANO

USER MANUAL | GEBRUIKSAANWIJZING | GEBRAUCHSANWEISUNG  
MANUEL D'UTILISATION | MANUAL DE INSTRUCCIONES | MANUALE DI ISTRUZIONI





HB/KB models with manual drip stop



KBT/CDT models with manual drip stop

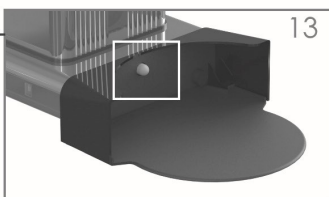


2

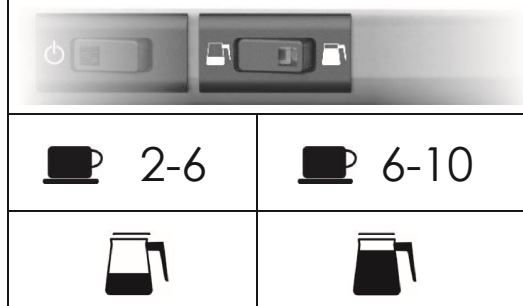


4

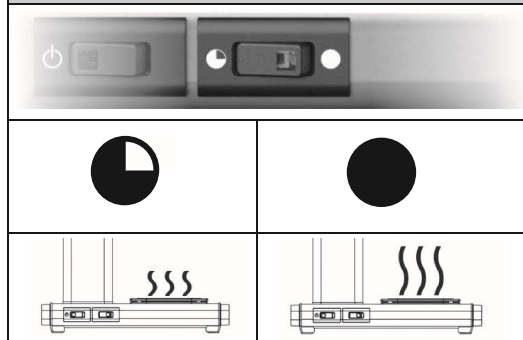
5



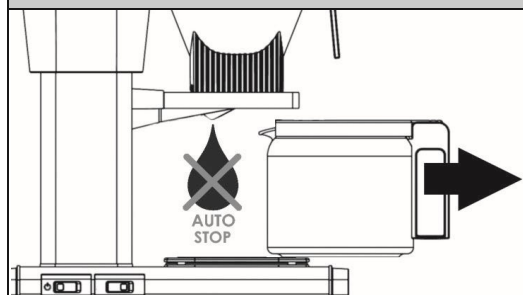
No. 8 - KBG SELECT model



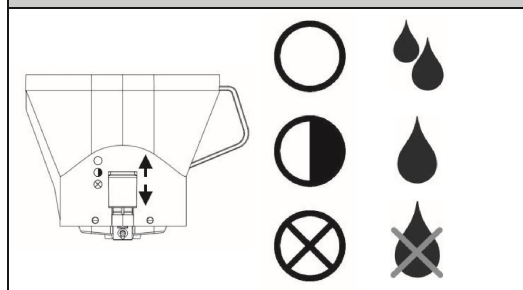
No. 8 - KB/KBG models (not SELECT)



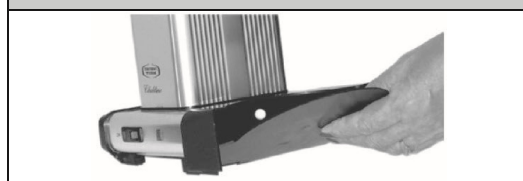
HBG/KBG/KBGT/CDGT/CD models



HB/KB/KBT/CDT models



KBT/KBGT/CDT/CDGT models



# HANDMADE IN THE NETHERLANDS

ENGLISH

## CONGRATULATIONS ON YOUR PURCHASE OF THE WORLD'S FINEST FILTER COFFEE BREWER!



Gerard-Clement Smit  
Founder of the company and  
designer of the products.

### Handmade in the Netherlands

Moccamaster's advanced coffee-making technology is certified by the ECBC (European Coffee Brewing Center) and SCA (Specialty Coffee Association). The ECBC quality mark is only awarded to products which have made it through the extensive quality controls and laboratory tests of the Norwegian Coffee Association. Technivorm Moccamaster is the only manufacturer in the world with ECBC approval for all its machines.

Technivorm's factory is located in the Netherlands and serves customers all over the world. The philosophy of our founder, Gerard Clement Smit, to manufacture high-quality, long-lasting and reliable products, has guided the production of all our appliances since 1964. Each coffee machine is handmade and individually tested, which means we stand firmly behind the quality of our products. High-quality materials, energy efficiency and opportunities for recycling play an important role in the design of every Moccamaster.

NEREDLANDS

DEUTSCH

FRANÇAIS

ESPAÑOL

ITALIANO



Moccamaster® is a registered trademark of Technivorm B.V., the Netherlands

© Copyright: All rights reserved. This information may not be reproduced and/or published in any way or by any means (electronic or mechanical) without prior, express written permission from Technivorm B.V.

Technivorm B.V. cannot be held responsible for damage or injury as a result of the failure to follow these instructions for use carefully or the failure to observe reasonable care in transportation, use and maintenance of the coffee machine. As a result of our constant efforts to improve, it is possible that details of the product may differ from what is described in this manual. For this reason, the instructions given should only be taken as a guideline for the use and maintenance of the product referred to in this manual. This manual has been compiled with all possible care, but Technivorm B.V. and Moccamaster Sales B.V. cannot be held liable for any errors in the manual or the consequences thereof.

# IMPORTANT SAFETY MEASURES

## WHEN USING ELECTRICAL APPLIANCES, THE SAFETY INSTRUCTIONS SHOULD BE FOLLOWED AT ALL TIMES.

### READ ALL THE INSTRUCTIONS BEFORE USE!

- The appliance is intended for use in households and similar applications such as:
  - staff kitchen areas in shops, offices and other working environments.
  - farmhouses.
  - by clients in hotels, motels and other residential-type environments.
  - bed & breakfast-type environments.
- The appliance should be used indoors only and exclusively for preparing coffee or tea.
- This appliance is suitable for use by persons (including children) with physical, mental or sensory impairments, provided those persons are supervised or instructed in the safe use of the appliance and the possible risks.
- Keep the packaging (plastic bags and cardboard) out of the reach of children.
- The appliance can be used by children aged 8 and older who are supervised or have been instructed in the safe use of the appliance and the possible risks. Make sure children do not play with the appliance. Keep the appliance and the power cord out of the reach of children younger than 8 years.
- Cleaning and user maintenance should not be carried out by children, unless they are over 8 years old and are supervised.
- Check that the voltage of the appliance corresponds with the mains voltage. The appliance should be plugged into a socket with safety ground.
- In case of problems during use and before cleaning, remove the power plug from the socket. Always unplug the power cord by pulling the plug from the socket; do not pull the cord itself.
- Never submerge the appliance, the power cord or the plug in water or other liquids, either completely or partially. Do not kink or crush the power cord. Never touch the power cord or plug with wet hands. Do not place the power cord on hot surfaces and do not let it hang over the edge of a table or bar where the cord could be pulled by a child.
- Do not use the appliance if the cord or plug are damaged or the appliance is not working correctly.
- **Important:** If the power cord is damaged, it must be replaced with a special power cord. Repairs must be carried out by skilled service technicians. Please contact [info@moccamaster.eu](mailto:info@moccamaster.eu) or your supplier.

ENGLISH

NEDERLANDS

DEUTSCH

FRANÇAIS

ESPAÑOL

ITALIANO

# IMPORTANT SAFETY MEASURES

ENGLISH

- The appliance is fitted with a short power cord because a long cord would involve a risk that a person might get caught up in it or trip over it.
- If an extension cord is used, marked technical rating must at least be suitable for the nominal current and voltage values of the coffee machine. The extension cord must be a 3-wire cable with a ground wire. The extension cord should be positioned in such a way that it does not hang over a table edge or worktop, so that a child cannot pull the cord and there is no risk of tripping over it.

NEDERLANDS

- Place the appliance on a flat, horizontal surface in a frost-proof room, not on a hot surface or near gas or electric cookers or in an oven.
- Do not touch the hot components, such as the outlet pipe, filter holder or hot plate, during or shortly after use.
- Do not pour liquids other than water, a recommended descaling agent or cleaning product into the water reservoir.

DEUTSCH

- Never use the machine without the outlet pipe. Do not remove the filter holder or jug during the brewing process. If parts are removed during the brewing process, there is a risk of burns.
- Misuse of this appliance could cause personal injuries.
- The heating element surface is subject to residual heat after use.
- Do not place the appliance in a cabinet when in use.

## Coffee makers with a glass jug:

FRANÇAIS

- Do not place a hot jug on a cold surface. Never place the glass jug above an open flame, on a hot stove or another heat source.
- Do not use the jug if it is cracked or if the handle is loose.
- Do not clean the jug using abrasive cleaners, steel wool or similar materials.

## Coffee makers with a thermos jug:

ESPAÑOL

- Never place the thermos jug on a hot stove, a gas burner or another heat source or in an oven/microwave.
- Do not use the thermos jug to store dairy products or baby formula because they can curdle if they are kept too long.
- Do not use the thermos jug for carbonated beverages.
- Do not move a filled thermos jug while in a horizontal position or upside down. You can use the mixing lid to make and pour coffee without unscrewing the lid. To ensure a complete seal, you can use the transport lid.
- Do not drink straight from the thermos jug. Liquids from the thermos jug can be very hot.

ITALIANO

- Do not clean the thermos jug using abrasive cleaning products, steel wool or similar materials. You can easily clean the thermos jug using dishwasher detergent: place a tablet or powder in the jug and fill the jug to the top with hot water. After an hour, pour away the water, use the brush to clean the jug and rinse with clean water.

### Environmental advice

- Paper filter bags and coffee grounds are organic waste and therefore suitable for the organic waste container or compost heap.
- When disposing of an old appliance, do not place it with the normal household waste but dispose of it in accordance with local legislation and regulations, using an approved waste disposal company or through your municipal collection service. Observe the applicable rules. Dispose of all packaging materials in an environmentally-friendly manner.

ENGLISH

NEDERLANDS

## KEEP THESE INSTRUCTIONS!

Dit apparaat voldoet aan de volgende EEG richtlijnen:  
This appliance is in accordance with the following Directives:  
Dieses Gerät wurde in Übereinstimmung gemäß folgende Richtlinien gebaut:  
Cet appareil est conforme aux directives:



LVD 2014/35/EU  
EMC 2014/30/EU



WEEE 2012/19/EU  
RoHS 2011/65/EU

DEUTSCH

FRANÇAIS

ESPAÑOL

ITALIANO

# INSTRUCTIONS FOR USE

ENGLISH

## Coffee makers with a glass jug (see page 2)

- 1) Water reservoir lid
- 2) 9-hole stainless steel outlet arm
- 3) Filter holder lid
- 4) Filter holder
- 5) Filter bracket
- 6) Glass coffee jug and mixing lid
- 7) Enamel hot plate with PTC heating element (coffee temperature 80°-85°C)
- 8) Selector switch (optional)
- 9) On/off switch
- 10) Aluminium housing
- 11) Copper heating element (water temperature 92°-96°C)
- 12) Float switch
- 13) Water reservoir

NEDERLANDS

## Coffee makers with a thermos jug (see page 2)

- 1) Water reservoir lid
- 2) 9-hole stainless steel outlet arm
- 3) Filter holder lid
- 4) Filter holder
- 5) Filter bracket
- 6) On/off switch
- 7) Aluminium housing
- 8) Copper heating element (water temperature 92°-96°C)
- 9) Float switch
- 10) Water reservoir
- 11) Thermos jug with mixing lid
- 12) Transport lid for complete seal
- 13) Control button for correct placement of the thermos jug
- 14) Footplate (see page 3 for correct placement)
- 15) Orange indicator light thermal jug in position

DEUTSCH

FRANÇAIS

## Instructions for use

- a. Before first use: place all the components in the correct positions as shown in the figure on page 2. Push the outlet arm firmly into the adapter. Run the machine for 1-2 cycles using clean water.
- b. If the appliance has not been used for some time, we recommend running 1-2 cycles with clean water.
- c. Fill the water reservoir with the required quantity of fresh cold water and replace the lid of the water reservoir. We recommend using a different jug for filling the water reservoir and not the coffee jug, because over time this will cause a build-up of grime in the machine.
- d. Place a filter bag of the correct size in the filter holder and put the required amount of ground coffee in it. The ECBC standard for the perfect cup of coffee is 60 g/l or 75 g for a full 1.25 l jug. A level Moccamaster measuring spoon contains enough coffee for 2 cups. Coffee is a matter of taste: test for yourself which coffee in which dosage you find the most delicious!

ESPAÑOL

ITALIANO



- e. Place the filter holder on the bracket and position the outlet arm above the centre of the filter holder.

*Now follow the user instructions for coffee makers with a glass jug or a thermos jug*

**Coffee makers with a glass jug:**

- f. Place the glass jug, including the lid, on the hot plate. The glass jug will be quickly preheated by the hot plate.
- g. Select: This machine has two settings so you can choose a half jug or a full jug. On the half-jug setting, the water is pumped through more slowly for a longer coffee extraction time and a more intense flavour.

**NB:** Of course, you can also use this setting for a whole jug.

We also recommend the 'half-jug' setting when using decaffeinated coffee or softened water, in order to prevent the filter holder from overflowing.

- h. Set the on/off switch to the 'on' setting and the brewing process will quickly begin.
- i. Brewing and hotplate are separate systems. If the water reservoir is empty, the brewing process automatically stops. The hot plate stays at the correct temperature for 40 minutes after the start of the brewing process. After 40 minutes, the machine automatically shuts off. If the coffee jug is empty before then, switch off the machine yourself.

**Coffee makers with a thermos jug:**

- f. Before making coffee, we recommend that you first rinse the thermos jug with hot water to minimise heat loss.
- g. Use the mixing lid when making coffee. Place the thermos jug on the footplate so that the jug presses in the white button on the inside of the base fully. The orange light comes on when the thermos jug is correctly placed against the white button.
- h. Set the on/off switch to the 'on' setting and the brewing process will quickly begin. If the water reservoir is empty, the brewing process automatically stops. You can turn off the machine yourself. As the light uses very little electricity, it is not a problem if you forget to do so.

**Coffee tastes best immediately after it is brewed!**

# MAINTENANCE & CLEANING

ENGLISH

## Descaling

Your coffee machine needs to be descaled regularly in order to continue to ensure optimum performance. If minerals are deposited on the heating element of your Moccamaster, this can inhibit the water flow and negatively impact on the brewing temperature and the taste of the coffee. Without regular descaling with the right agent, it is possible that at some point the appliance will no longer function. Using a good descaler (with additives that make sure the agent does not damage the components of the appliance) will extend the lifespan of your Moccamaster.

- 1) It is recommended that you descale the appliance once every 100 cycles (guideline: after every box of 100 filter bags) or at least once every 3 months.
- 2) Preferably use the recommended special descaling products. Ask your supplier for the correct descaling product.
- 3) Follow the instructions for use of the descaling product
- 4) Switch the appliance on and wait until the liquid has flowed into the jug.
- 5) Repeat the process two or three times with clean water in order to rinse the appliance.

NEDERLANDS

DEUTSCH

## Cleaning

### Outside:

Remove the power plug from the socket and allow the appliance to cool before cleaning. Regularly clean the outside of the appliance with a damp cloth and dry it afterwards.

Regularly clean the jug, filter holder and lids to maintain a good coffee flavour.

Thermos jug: dissolve dishwasher detergent in hot water, brush after an hour and rinse thoroughly with clean water.

### Inside:

The inside of the coffee machine should also be cleaned regularly to maintain a good coffee flavour: 4-6 times a year depending on use. Ask your supplier which product is safe and reliable.

FRANÇAIS

ESPAÑOL

ITALIANO

# TROUBLESHOOTING

The table below provides solutions to problems you may encounter with the appliance. If you cannot find a solution to your specific problem or the recommendations do not help, please contact your supplier or [info@moccamaster.eu](mailto:info@moccamaster.eu).

PROBLEM	POSSIBLE CAUSE	SOLUTION
The appliance is not working, the lights are not coming on.	Power supply	Check that the plug is securely inserted in the socket.
Water flow to the filter holder is slow, the brew cycle takes longer than 6 minutes and produces a lot of steam.	Limescale in the appliance.	Descale (possibly several times).
The glass tube in the water reservoir is cloudy.	Limescale in the appliance.	Descale.
Green deposit in the water reservoir and/or by the float.	Algae formation due to the action of sunlight.	Clean: leave the solution to soak for one hour and empty into the sink. Brush and run the brew cycle 2x with clean water.
The power light is on but the brewing process does not start.	There may be various causes.	Please contact your supplier.
Filter holder overflowing.	The drip-stop of the filter holder is clogged.	Clean filter holder.
	Coffee too finely ground.	Espresso coffee is too fine and lets the water through less quickly. Use filter grind.
	When using decaffeinated coffee, the holes of the filter bag can get clogged up.	Make a smaller quantity of coffee. Select: set the selector switch to a half-full jug, so that the water is fed to the filter more slowly
	Salt-based water softener in your tap water. This water has a higher surface tension, which means the water penetrates the coffee powder less quickly	Make a smaller quantity of coffee or use non-softened water Select: set the selector switch to a half-full jug, so that the water is fed to the filter more slowly
Coffee tastes weak or bitter.	Incorrect dosage.	Adjust dosage (increase for stronger coffee, reduce for less bitter coffee)

ENGLISH

NEDERLANDS

DEUTSCH

FRANÇAIS

ESPAÑOL

ITALIANO

# SERVICE & WARRANTY

ENGLISH

## Parts

To order parts, contact your supplier or order from [www.moccamaster.eu](http://www.moccamaster.eu)

## Service and repairs

Contact your local dealer or [info@moccamaster.eu](mailto:info@moccamaster.eu) for service and repairs.

## Warranty

The warranty is valid for five (5) years from the date of purchase. Keep the original sales receipt. Repairs during these 5 years do not extend the warranty period, which remains valid from the date of original purchase. The warranty covers defects and faulty components which are related to material and production faults

### The following are not covered by the warranty

- 1) Normal wear and tear and damage through use: scratches, dents and damage caused by falls, collisions, etc.
- 2) The use of the product for purposes other than brewing coffee.
- 3) Loose parts such as covers, jug, outlet pipe, filter holder, etc.
- 4) Damage caused by not using suitable cleaning and/or descaling agents.
- 5) Modifications carried out by or on behalf of the customer.
- 6) Blockages caused by e.g. coffee beans or limescale.
- 7) Damage caused by incorrect positioning, use other than for brewing coffee, connecting the appliance to the wrong mains voltage, damage caused by chemical agents, corrosion, damage caused by frost or abnormal environmental influences.
- 8) If an official service technician is not able to identify faults in the product, the cost of repair will not be reimbursed. If repairs or modifications are carried out by a non-official service workshop or if non-original parts are used, the warranty is automatically void.

NEDERLANDS

DEUTSCH

FRANÇAIS

ESPAÑOL

ITALIANO