

# UVC84 Installation

## Package Contents

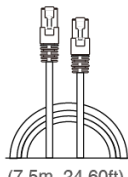
**TIP**

For the UVC84 unboxing video, and please refer to [UVC84](#).

We recommend that you use the accessories provided or approved by Yealink. The use of unapproved third-party accessories may result in poor performance.

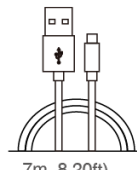


UVC84



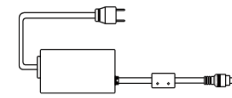
(7.5m, 24.60ft)

CAT5e UTP (RJ45 - RJ45) Cable



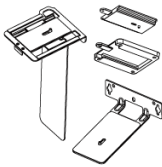
7m, 8.20ft)

USB 2.0 (A - B) Cable



(3.5m, 11.48ft)

Power Adapter (48V/0.7A)



Mounting Bracket



× 4

φ6 \* 30 mm, white, Polyamide



× 4

4\*30 FAHOZN3+ (+)



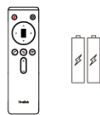
× 5

1/4" -20 UNC



× 2

M3\*5.8KM0ZN3+



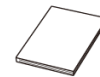
VCR20 Remote Control



× 5

(20 \* 200 mm)

Cable Ties



Quick Start Guide

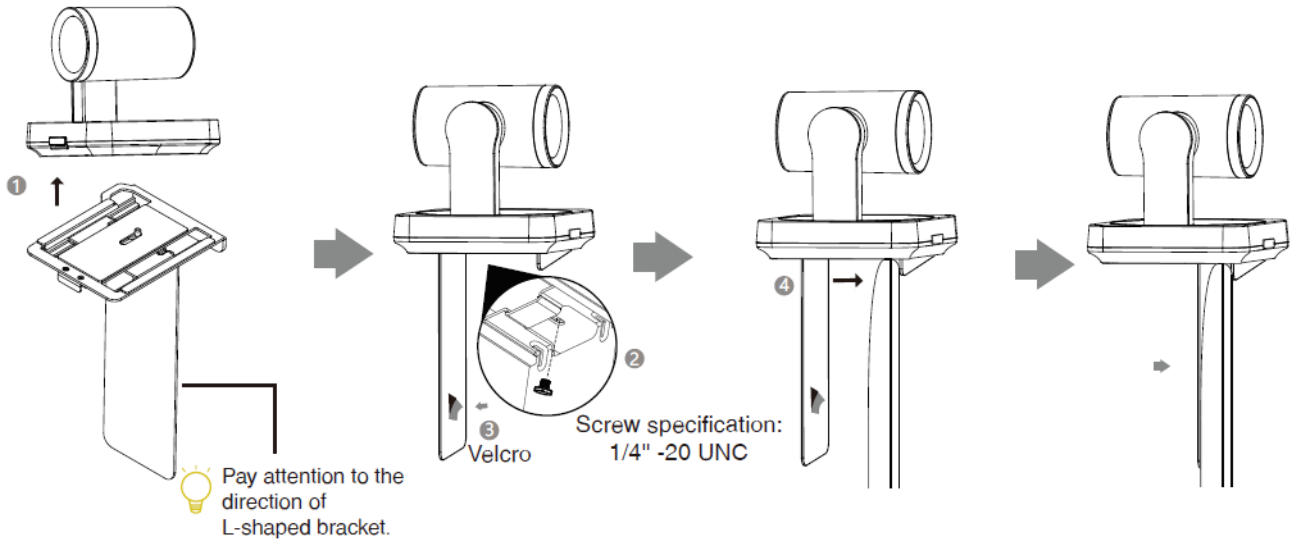
## Install UVC84

- **Put on a Flat Surface**

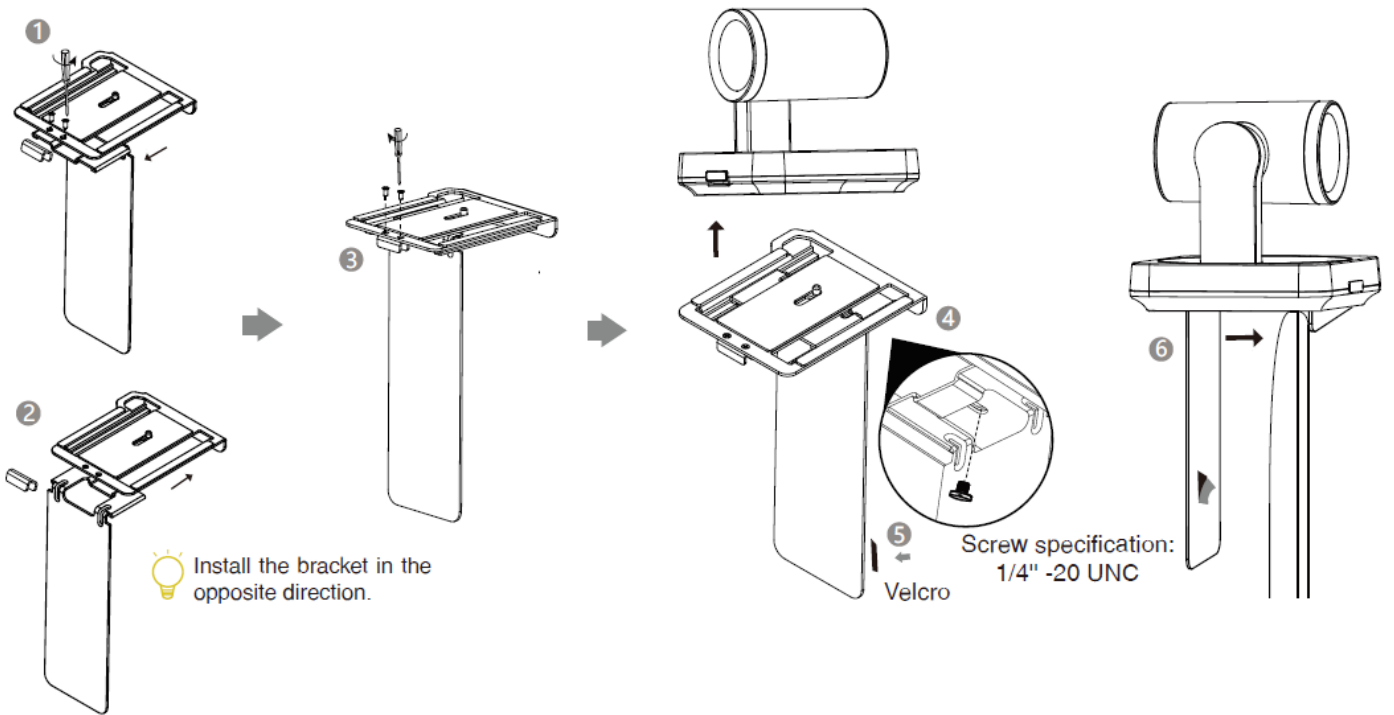
You can put the UVC84 on the conference table, and make sure that the angle of inclination of the UVC84 is not more than 5 degrees to ensure proper operation.

- **Mount on top of a display**

Choose the following installation method when the thickness of the TV is between 0mm and 70mm.

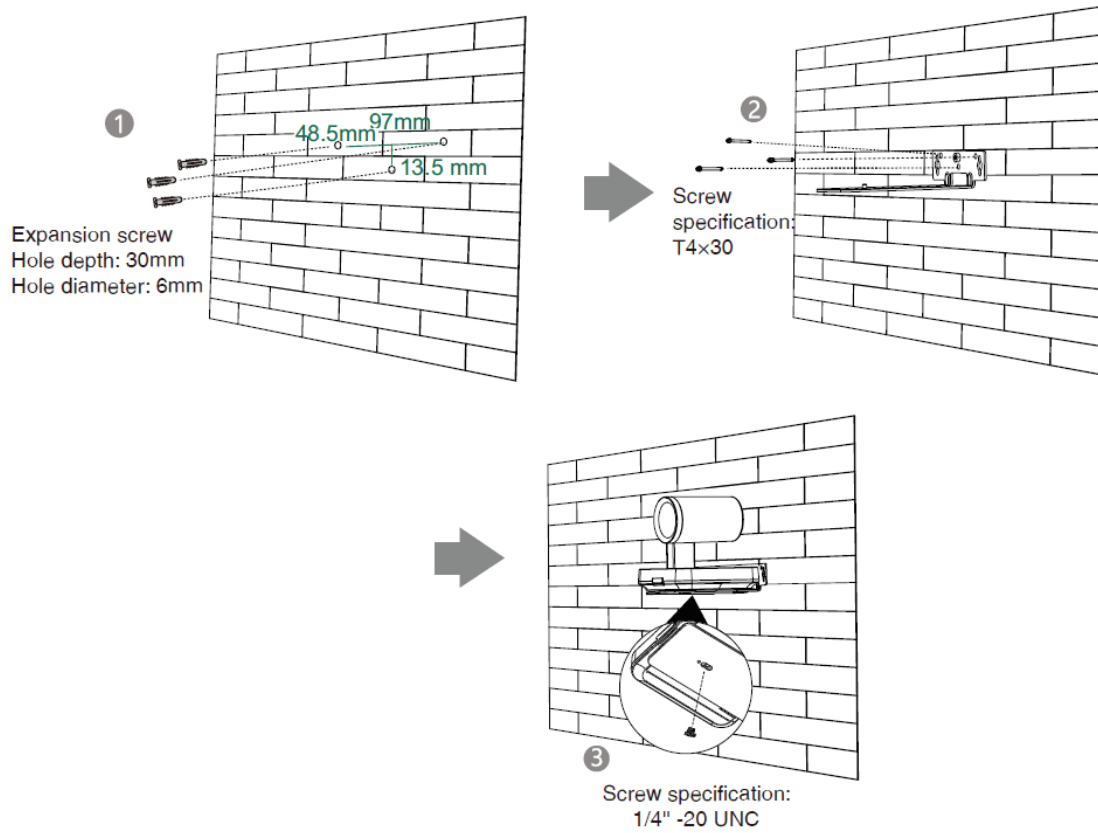


Choose the following installation method when the thickness of the TV is between 46 mm and 146 mm.

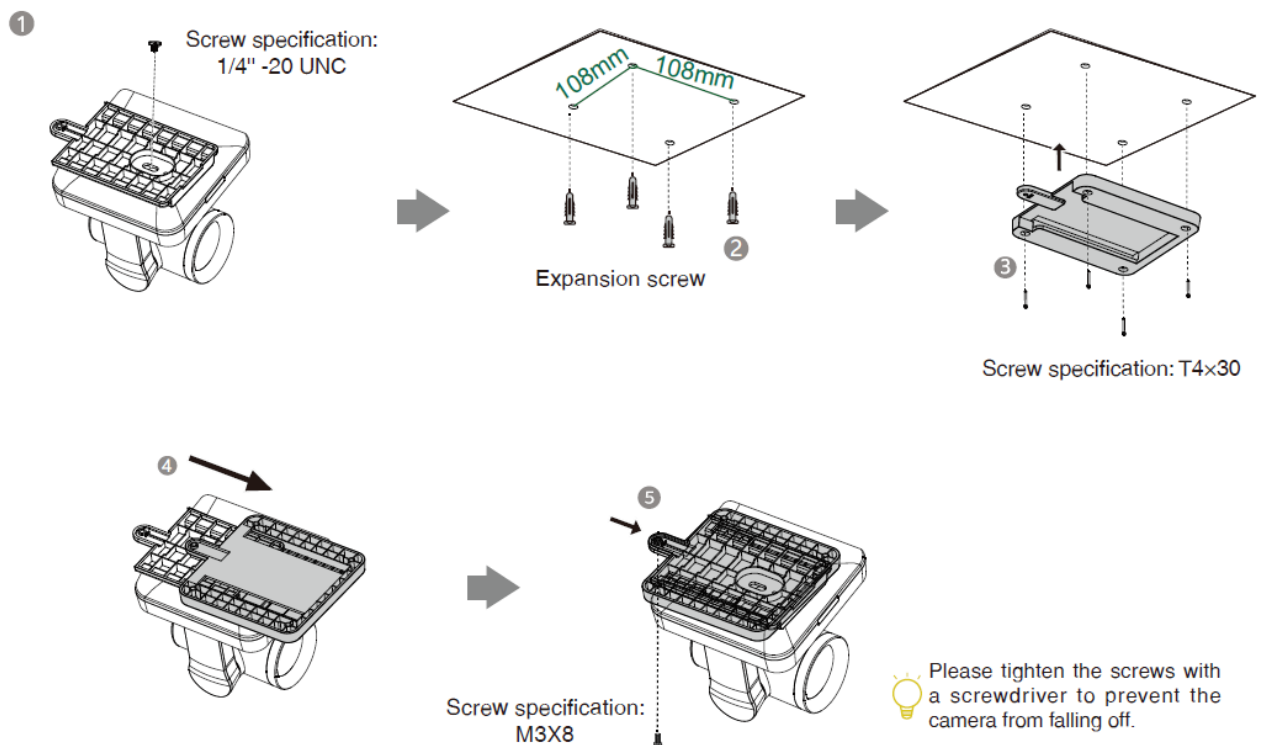


• **Mount on the Wall**

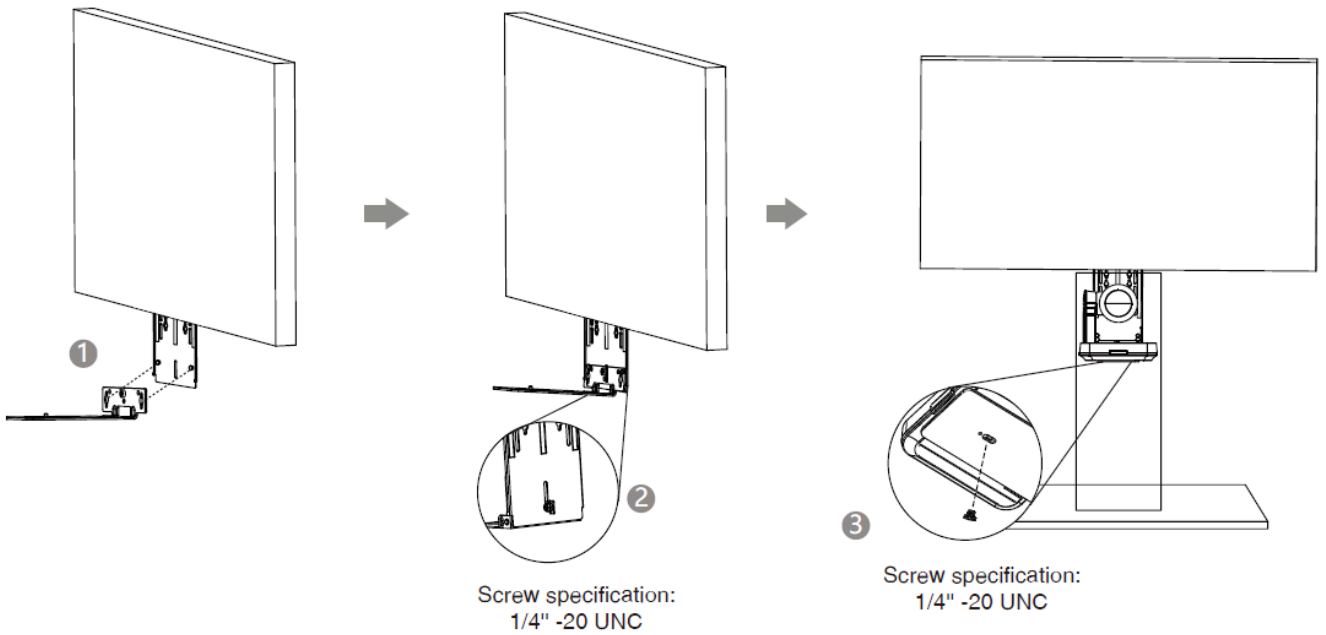
The recommended height is 1.55 m-1.85 m above the ground.



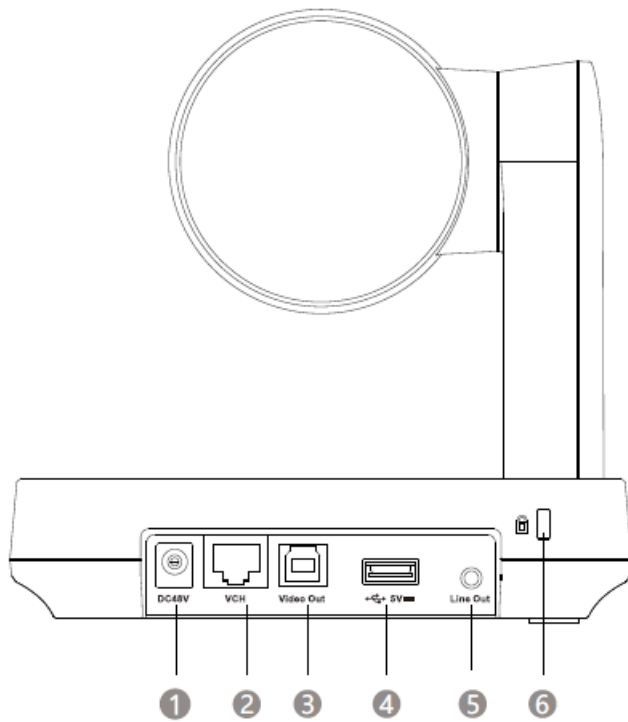
• **Mount on the Ceiling**



• Mount onto a TV Mount



Hardware Interface

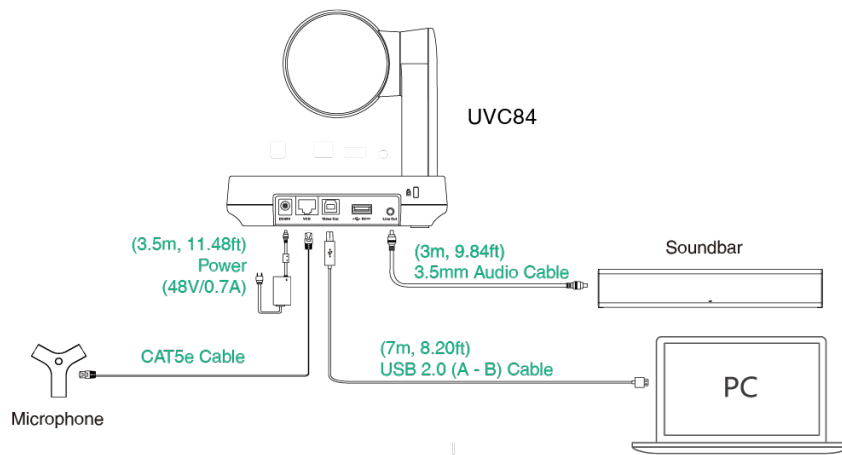


No.	Item	Description
1	DC48V	Connect to a power adapter.
2	VCH	In MVC system, connect to audio device (for example: VCM34).

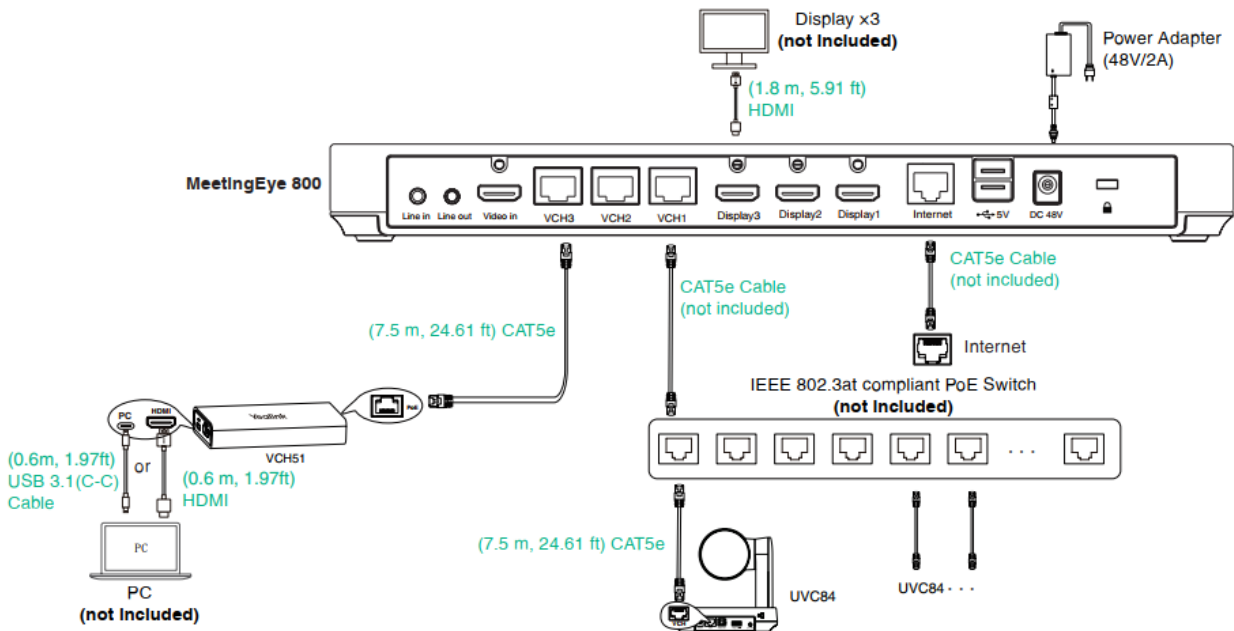
3	Video Out	Connect to a PC as video output.
4	USB	Insert DD10 to connect to CPW90.
5	Line Out	Connect to an audio output device using an audio cable (3.5mm).
6	Security slot	Connect a universal security cable to the UVC84 so that you can lock the UVC84 down.

**Connect UVC84**

- **Connect to PC**



- **Connect to the video conference system**



L  
I  
S  
H

**NOTE**

Not included accessories requirements:

- » Display: Resolution of 1080p or higher and with an HDMI port.
- » Ethernet cable: CAT5e or higher ethernet cable.
- » PoE switch: If you use PoE to connect cameras, you need to use PoE+.
- » PC: Equipped with HDMI or USB-C (support DP protocol) Port.

**LED Indicator**

LED Status	Description
Off	The UVC84 is powered off.
Solid green	The UVC84 is active.
Solid red	The UVC84 is in sleep mode.
Flash red	The UVC84 is in recovery mode.
Flash yellow	The UVC84 is upgrading firmware.