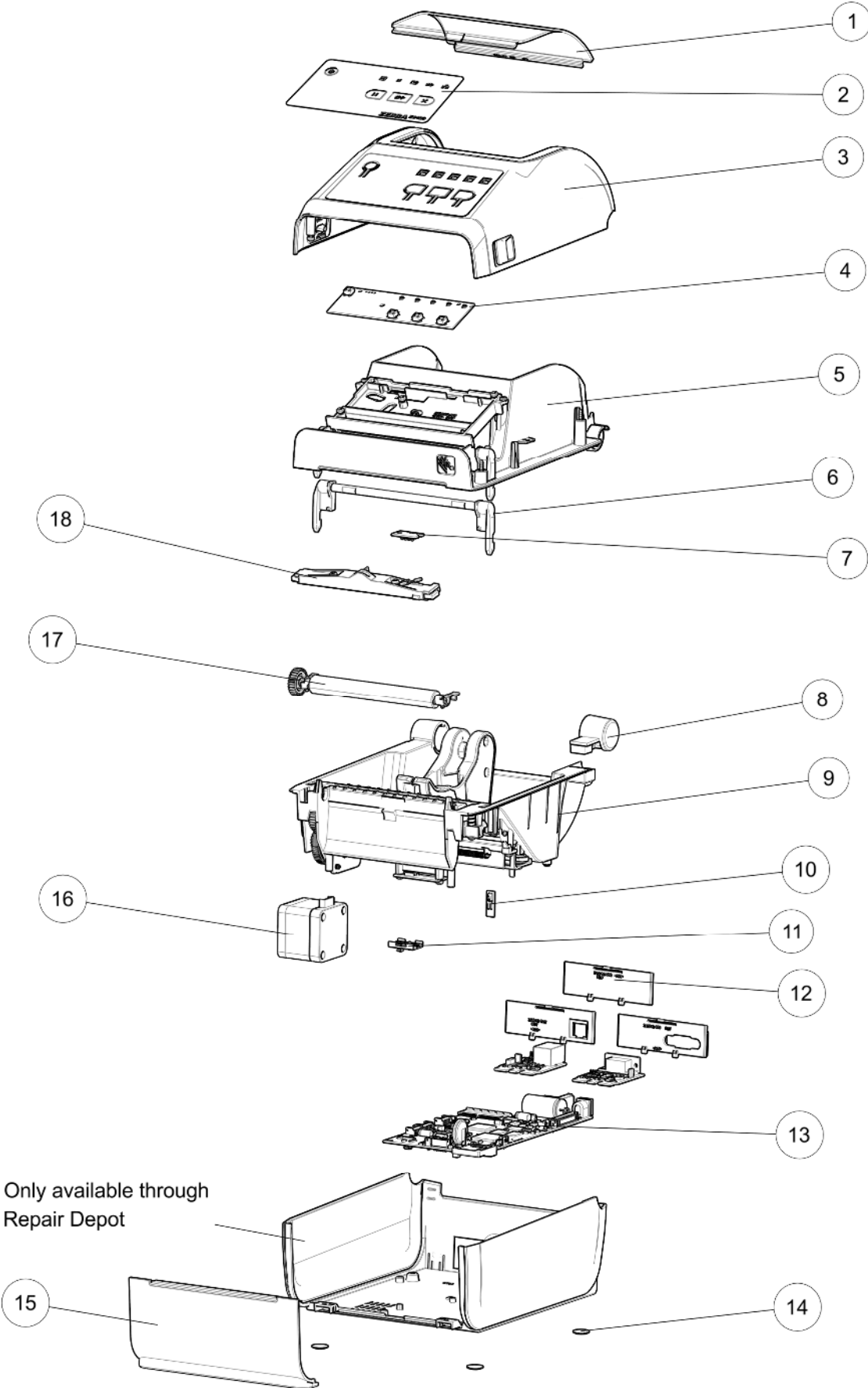


ZD420 Direct Thermal (203 & 300 DPI)



Only available through
Repair Depot

Spare Parts List

ZD420 Direct Thermal (203 & 300 DPI)

| Item | Description | Part Number |
|-----------|--|--------------|
| 1 | Media Window | P1080383-400 |
| 2 | Nameplate (contains nameplates with and without the Print Touch icon) | P1080383-401 |
| 3 | Cover Assembly for Standard Models with the Print Touch icon (includes Media Window) | P1080383-403 |
| | Cover Assembly for Standard Models without the Print Touch icon (includes Media Window) | P1080383-404 |
| | Cover Assembly for Healthcare Models (white cover) with the Print Touch icon (includes Media Window) | P1080383-405 |
| 4 | Control Panel PCBA | P1080383-208 |
| 5 | Inner Lid (without printhead) | P1080383-402 |
| 6 | Latch Assembly | P1080383-407 |
| 7 | Upper Media Sensor (Gap Sensor) | P1079903-013 |
| 8 | Cover Hinge | P1079903-016 |
| 9 | Print Mechanism 203dpi | P1080383-408 |
| | Print Mechanism 300dpi | P1080383-409 |
| 10 | Cover Open Sensor | P1080383-011 |
| 11 | Lower Media Sensor (Blackline Sensor) | P1080383-410 |
| 12 | Rear Bezels: Serial, Ethernet, Standard (includes 1 of each) | P1080383-411 |
| 13 | Main Logic Board, USB, USB Host, Modular Connectivity Slot | P1080383-213 |
| | Main Logic Board, USB, USB Host, BTLE, Modular Connectivity Slot | P1080383-214 |
| | Main Logic Board, USB, USB Host, Wi-Fi 802.11, Bluetooth, Modular Connectivity Slot | P1080383-215 |
| | Ethernet Module | P1080383-419 |
| | Serial Module | P1080383-420 |
| 14 | Rubber Feet (set of 4) | P1080383-021 |
| 15 | Front Bezel, Standard | P1080383-412 |
| 16 | Motor Assy 203dpi and 300dpi | P1080383-221 |
| 17 | Platen Roller 203dpi | P1080383-413 |
| | Platen Roller 300dpi | P1080383-414 |
| | Bearings for the platen roller, Left & Right (10 each) | P1080383-224 |
| 18 | Printhead, 203dpi | P1080383-415 |
| | Printhead, 300dpi | P1080383-416 |
| Not Shown | Cutter, 4", Full Cut | P1080383-417 |
| | Dispenser, Front Bezel | P1080383-418 |
| | Convert to 300dpi | P1080383-421 |
| | Convert to 203dpi | P1080383-422 |
| | Media Core Adaptors, For 1.5", 2" & 3" diameter cores | P1079903-033 |
| | Base Housing for Battery (When upgrading to battery power functionality, also order the P1080383-603 battery) | P1080383-601 |
| | Battery for Desktop Printers (When upgrading to battery power functionality, also order the P1080383-601 battery housing) | P1080383-603 |
| | Adapter bracket to enable mounting a ZD420D model in the same location as an existing GK420d model is currently mounted. Allows usage of the GK420d mounting hole pattern to mount a ZD420D. | P1080383-423 |
| | Packaging for shipping the printer | P1080383-424 |
| | Replacement key for Healthcare printers with a locking media cabinet (quantity of 5) | P1080383-406 |
| | Replacement lock for Healthcare printers with a locking media cabinet (includes 2 keys) | P1080383-431 |
| | Power Supply Unattached, 75W, C13, with US & Euro Cords for Standard Models | P1079903-026 |
| | Power Supply Unattached, 75W, 24V with US Cord, for Healthcare Models | P1079903-030 |
| | Power Supply Attached, 75W (power cord not included) | P1080383-430 |
| | Power Cord, U.S. 120V IEC320C13 (set of 5) | 105950-014 |
| | Power Cord, Euro 220V IEC320C13 (set of 5) | 105950-015 |
| | Power Cord, U.K. 240V IEC320C13 (set of 5) | 105950-030 |
| | Power Cord, Australia 240V IEC320C13 (set of 5) | 105950-029 |
| | Power Cord, China 220V C13 (set of 5) | 105950-078 |
| | Power Cord, Japan 125V JAPAN C13 (set of 5) | 105950-079 |
| | Power Cord, 220V Argentina C13 (set of 5) | 105950-080 |
| | Power Cord, 10A NBR 14136, Brazil (set of 5) | P1033401 |
| | Power Cord, C13, 10A, IEC Israel (set of 5) | P1061022-020 |
| | Power Cord India, 10A, IS 1293, C13 (set of 5) | P1080829 |
| | Power Cord, Taiwan, 125V, IEC320C13 (set of 5) | P1079903-035 |