

# PHILIPS

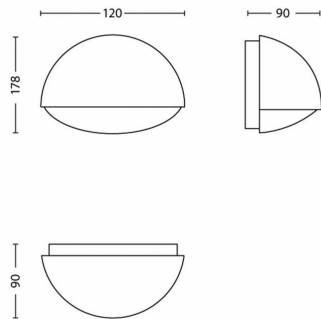
## Wall light

myGarden

Dust

anthracite

LED



16407/93/16



## Enjoy a beautiful garden with light

This half-moon Philips myGarden Dust LED wall light in aluminium finished in anthracite creates a subtle silhouette on your outdoor wall. The hooded light casts plenty of warm white LED light downwards for general illumination or detailing.

### Sustainable light solutions

- Energy saving
- High quality LED light
- Long operating life of up to 15 years
- Warm white light
- Philips offers a 5-year warranty on the LED module and driver

### Designed for your garden

- IP44 - weatherproof



# Highlights

## Energy saving



This Philips energy-saving lamp conserves energy compared with traditional light sources, helping you to save money on your electricity bills and do your bit for the environment.

## High quality LED light



The LED technology integrated into this Philips lamp is a unique solution developed by Philips. It turns on instantly, enables an optimal light output and brings out vivid colours in your home.

## Long operating life



A light source you can trust. The integrated LEDs used in this Philips LED lamp will last up to 15,000 hours (which equals 15 years on the basis of an average use of 3 hours/day with at least 13,000 on/off switching cycles). It feels so good to think that you won't have to worry about maintenance or light bulb replacement while having the perfect light ambience in your home.

## Warm white light



Light can have different colour temperatures, indicated in units called Kelvin (K). Lamps with a low Kelvin value produce a warm, more cosy light, while those with a higher Kelvin value produce a cool, more energising light. This Philips lamp offers warm white light for a cosy atmosphere.

## 5-year warranty on LED system



On top of the standard 2-year warranty for this lamp, Philips offers a 5-year warranty on the LED system, meaning the LED module and the driver in this lamp.

## IP44 - weatherproof



This Philips outdoor light is especially designed for humid outdoor environments. It was tested rigorously to ensure its water resistance. The IP level is described by two figures: the first one refers to the protection level against dust, the second against water. This outdoor light is designed with IP44: it is protected against splashing water. This product is most commonly used and ideal for general outdoor use.

# Specifications

## Design and finishing

- Colour: Anthracite
- Material: Aluminium

## Extra feature/accessory incl.

- 5 year warranty on the LED module: Yes
- Fully weatherproof: Yes
- LED integrated: Yes

#### Garden area

- Garden area: Garden and Patio

#### Miscellaneous

- Especially designed for: Garden and Patio
- Style: Contemporary
- Type: Wall Lights
- EyeComfort: No

#### Packaging dimensions and weight

- EAN/UPC - product: 8718696120682
- Net weight: 0.31 kg
- Gross weight: 0.38 kg
- Height: 10.8 cm
- Length: 12.3 cm
- Width: 18.3 cm
- Material number (12NC): 915004499501

#### Product dimensions and weight

- Net weight: 0.310 kg
- Height: 12 cm
- Length: 17.8 cm
- Width: 9.0 cm

#### Service

- Warranty: 2 year(s)

#### Technical specifications

- Lifetime up to: 25,000 h
- Total lumen output fixture: 270 lm
- Mains power: 50-60 Hz
- LED: Yes
- Energy class included light source: F
- Wattage bulb included: 3 W
- IP code: IP44
- Class of protection: Class II
- Light source replaceable: No
- Number of light sources: 1



Issue date: 2024-02-13  
Version: 0.316

© 2024 Signify Holding. All rights reserved. Signify does not give any representation or warranty as to the accuracy or completeness of the information included herein and shall not be liable for any action in reliance thereon. The information presented in this document is not intended as any commercial offer and does not form part of any quotation or contract, unless otherwise agreed by Signify. Philips and the Philips Shield Emblem are registered trademarks of Koninklijke Philips N.V.

[www.lighting.philips.com](http://www.lighting.philips.com)