



FOR VIDEO BARS & VC CAMERAS

BT7878

MOUNTING PLATE

FOR YEALINK A30 /
 MEETINGEYE 600 &
 VC CAMERAS



The BT7878 is a mounting plate designed for mounting a Yealink A30 or MeetingEye 600 video conferencing camera to a variety of B-Tech products. Using an accessory mounting arm, the BT7878 can be positioned above or below a screen mounted on a compatible B-Tech flat screen wall mount or to a System X BT8390 rail. The mounting plate can also be pole mounted using a Ø50mm collar, or alternatively can attach directly to a B-Tech Column. The BT7878 platform includes a universal mounting slot for installing VC cameras.

SPECIFICATION	
Max Load	4kg
Dimensions	W: 100mm x D: 103mm x H: 70mm
Steel thickness	3mm
Colour	Black

FEATURES

- Designed to mount Yealink A30 and Yealink MeetingEye 600 to a range of B-Tech product
- Universal mounting slot for small VC cameras & webcams
- Mounts directly to a BT8380 / BT8381 Column
- Compatible with BT7052 / BT7841 Collars for use with Ø50mm Poles
- Use with a BT7031 Accessory Mounting Arm to mount on to a BT8431 / BT8432 / BT8441 / BT8442 / BT9901 / BT9903 Flat Screen Wall Mount
- Use with a BT8390-SA Accessory Mounting Arm to position camera above or below a screen mounted on a BT8390 System X Rail
- Simple installation
- All mounting hardware included



Designed to mount Yealink A30 and MeetingEye 600 VC cameras to a range of B-Tech products



Use with a BT8390-SA to mount cameras onto a BT8390 rail.

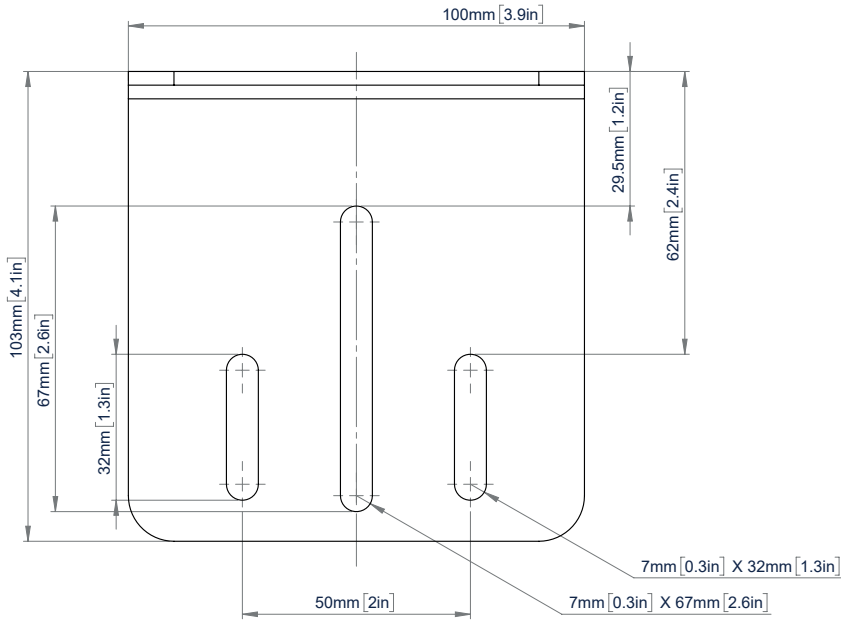


Suitable for mounting speakers above or below the screen using an accessory mounting arm

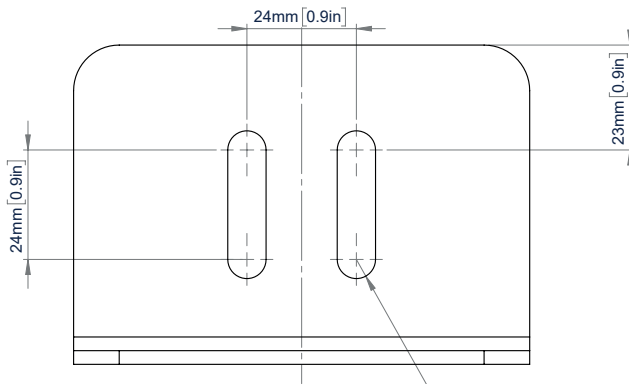


Mounts directly a B-Tech column or can be pole mounted using a Ø50mm collar

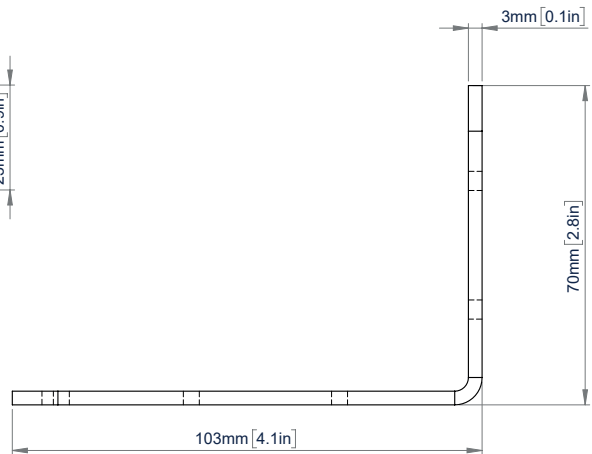




TOP VIEW



FRONT VIEW



SIDE VIEW

PACKING INFORMATION

COLOUR:	ORDER REF:	EAN CODE:
Black	BT7878 / B	5019318307195

ACCESSORIES AND RELATED PRODUCTS



Adjustable Accessory Mounting Arm allows mounted accessories to be positioned above or below the screen(s) on a selection of B-Tech flat screen wall mounts



Adjustable Accessory Mounting Arm allows mounted accessories to be positioned above or below the screen(s) from BT8390 System X Rails



Mounts to any B-Tech Column for a fixed, freestanding or mobile applications



Video Bar Mounting Plate designed to mount a Yealink UVC40 / A20 / MeetingEye 400, Logitech Meet Up & Poly Studio X30 to a range of B-Tech products

© 2018 B-Tech Professional Design & Manufacturing Ltd. All rights reserved. The information in this specification is for reference only. B-Tech Professional Design & Manufacturing Ltd. We warrant the information in this specification to be accurate as of the date of publication. B-Tech Professional Design & Manufacturing Ltd. is not responsible for any errors or omissions in this specification. B-Tech Professional Design & Manufacturing Ltd. is not responsible for any damage caused by misuse or modification of the product. Any reproduction or transmission of any part of this specification is strictly prohibited unless prior written permission has been granted by B-Tech Professional Design & Manufacturing Ltd. Ltd. SS-V1.1-BT7878-240123