

KVR52S42BD8-32

32GB 2Rx8 4G x 64-Bit

PC5-5200 CL42 262-Pin SODIMM

DESCRIPTION

This document describes ValueRAM's KVR52S42BD8-32 is a 4G x 64-bit (32GB) DDR5-5200 CL42 SDRAM (Synchronous DRAM), 2Rx8, memory module, based on sixteen 2G x 8-bit FBGA components. The SPD is programmed to JEDEC standard latency DDR5-5200 timing of 42-42-42 at 1.1V. Each 262-pin SODIMM uses gold contact fingers.

The electrical and mechanical specifications are as follows:

FEATURES

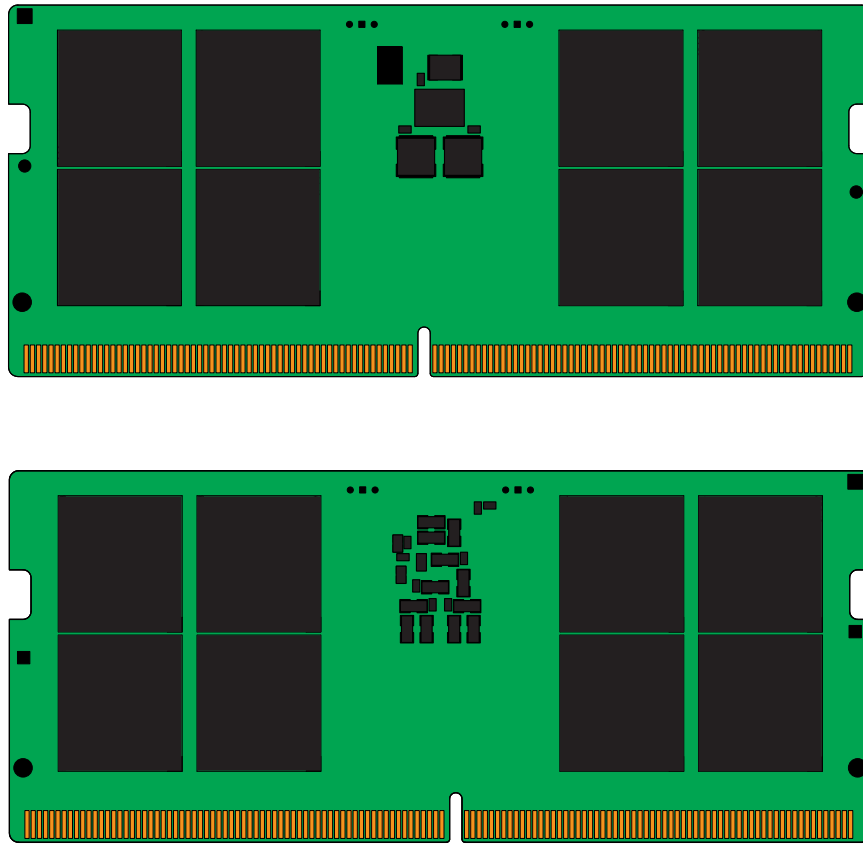
- Power Supply: VDD = 1.1V Typical
- VDDQ = 1.1V Typical
- VPP = 1.8V Typical
- VDDSPD = 1.8V to 2.0V
- On-Die ECC
- PCB: Height 1.18" (30.00mm)
- RoHS Compliant and Halogen-Free

SPECIFICATIONS

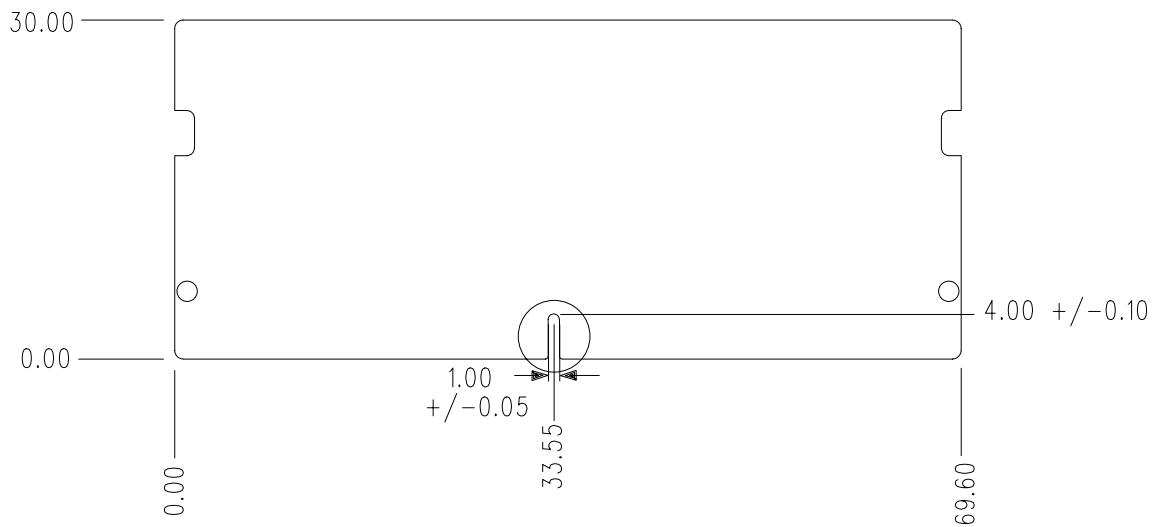
CL(IDD)	42 cycles
Row Cycle Time (tRCmin)	48ns(min.)
Refresh to Active/Refresh Command Time (tRFCmin)	295ns(min.)
Row Active Time (tRASmin)	32ns(min.)
UL Rating	94 V - 0
Operating Temperature	0° C to +85° C
Storage Temperature	-55° C to +100° C

Continued >>

MODULE DIMENSIONS



All measurements are in millimeters.
(Tolerances on all dimensions are ± 0.12 unless otherwise specified)



The product images shown are for illustration purposes only and may not be an exact representation of the product.
Kingston reserves the right to change any information at anytime without notice.