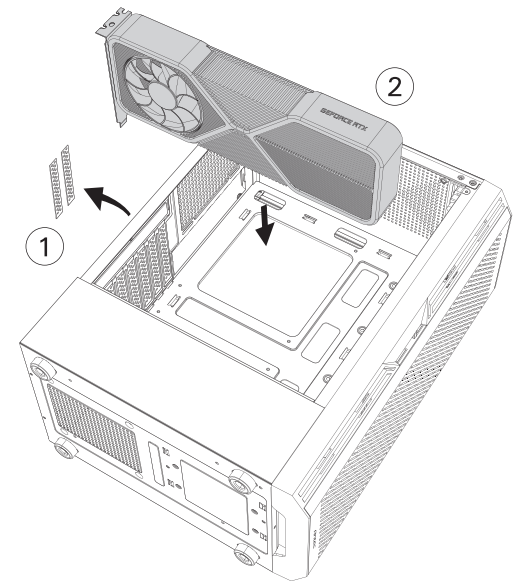
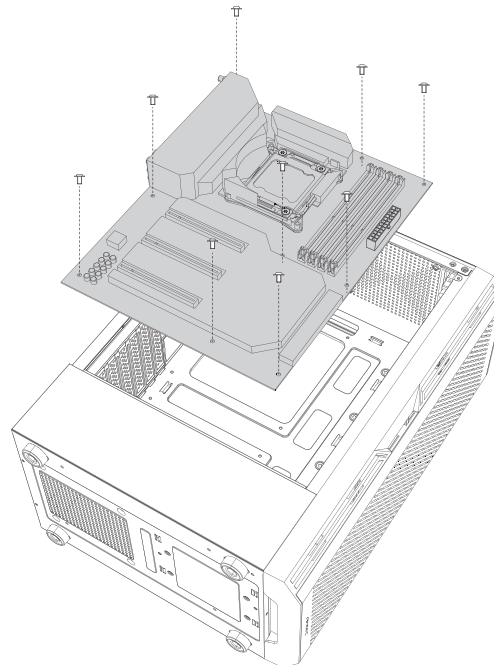
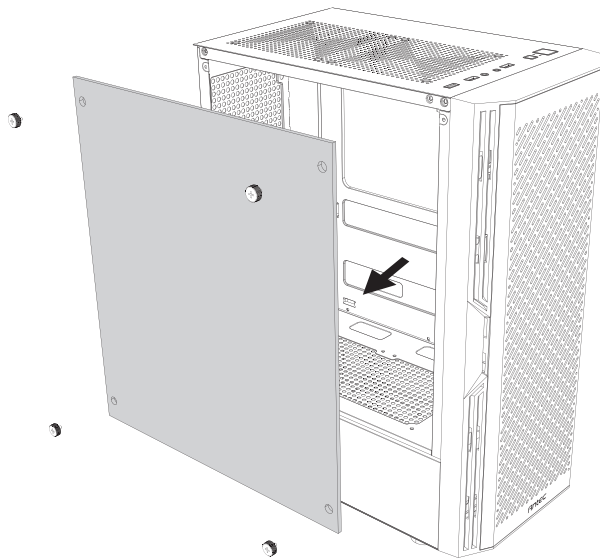


# AX20

- 1 REMOVE SIDE PANEL**  
 EXTRACCIÓN DEL PANEL LATERAL  
 SEITENWAND ENTFERNEN  
 RETIRER LE PANNEAU LATÉRAL  
 사이드 패널 분리  
 サイドパネルを取り外します  
 拆下側面板

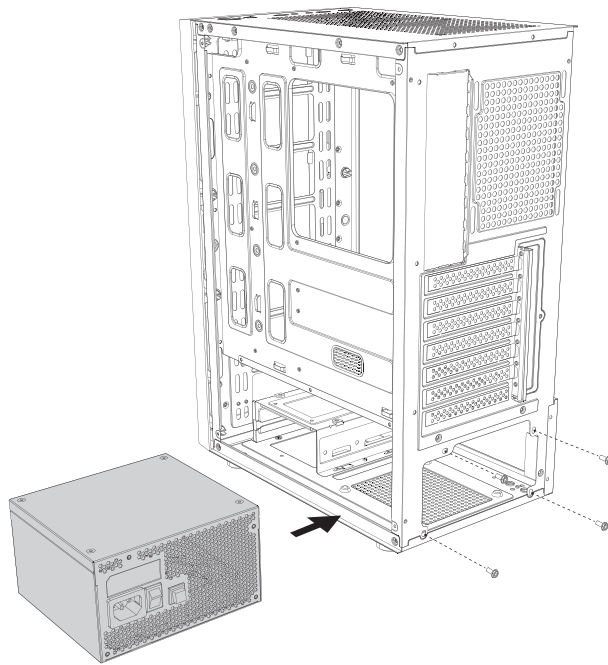
- 2 MOTHERBOARD INSTALLATION**  
 INSTALACIÓN DE LA PLACA BASE  
 INSTALLATION DES MOTHERBOARDS  
 INSTALLATION DE LA CARTE MÈRE  
 메인보드 장착  
 マザーボードの設置  
 安装主板

- 3 VGA/PCI-EXPRESS CARD INSTALLATION**  
 INSTALACIÓN EXPRES DE LA TARJETA VGA/PCI  
 VGA / PCI-EXPRESS KARTENINSTALLATION  
 INSTALLATION DE LA CARTE VGA/PCI-EXPRESS  
 VGA/PCI-E 카드 장착  
 VGA/PCI-Eの設置  
 安装VGA/PCI-E卡



#### 4 POWER SUPPLY INSTALLATION

INSTALACIÓN DE LA FUENTE DE ALIMENTACIÓN  
INSTALLATION DES NETZTEILS  
INSTALLATION DU BLOC D'ALIMENTATION  
파워서프라이 장착  
電源の設置  
安裝电源组件

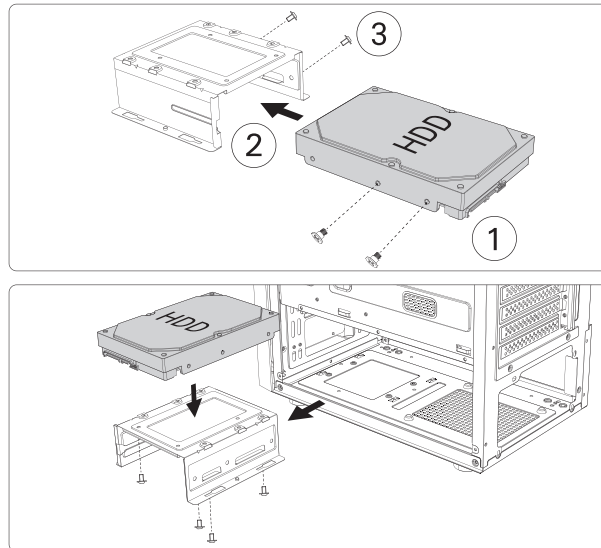


#### 5 HARD DISK INSTALLATION

INSTALACIÓN DEL DISCO DURO  
FESTPLATTENINSTALLATION  
INSTALLATION DES DISQUES DURS  
드라이브 장착  
ドライブの設置  
安裝驱动器

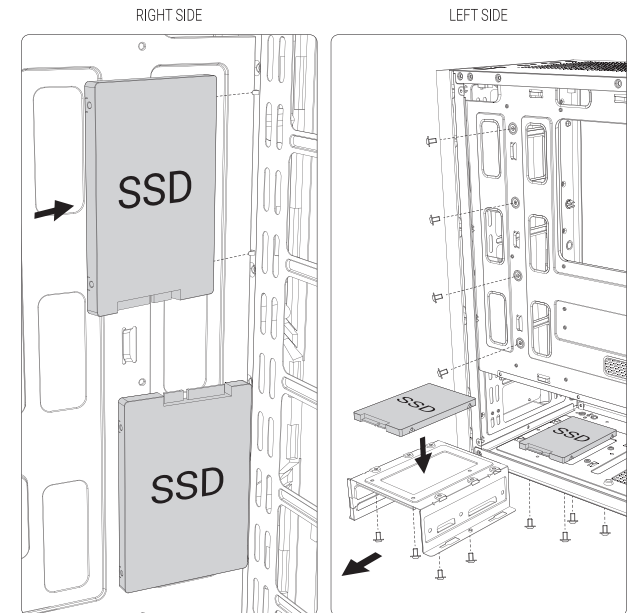
##### A. INSTALLING A 3.5" HARD DISK DRIVE

INSTALAR UNA RANURA DE DISCO DURO DE 3.5"  
INSTALLATION EINES 3.5" FESTPLATTENLAUFWERKS  
INSTALLER UN DISQUE DUR 3.5"  
3.5" HDD 장착  
3.5" 드라이브의設置  
3.5寸硬盘安裝



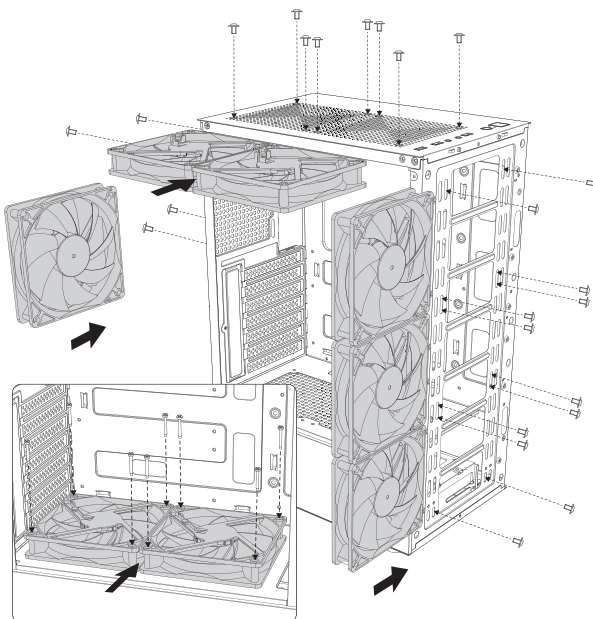
##### B. INSTALLING A 2.5" SOLID STATE DRIVE

INSTALAR UNA RANURA SOLID STATE DE 2.5"  
INSTALLATION EINES 2.5 ZOLL SSD  
INSTALLER UN DISQUE DUR 2.5"  
2.5" SSD 장착  
2.5" 드라이브의設置  
2.5寸硬盘安裝



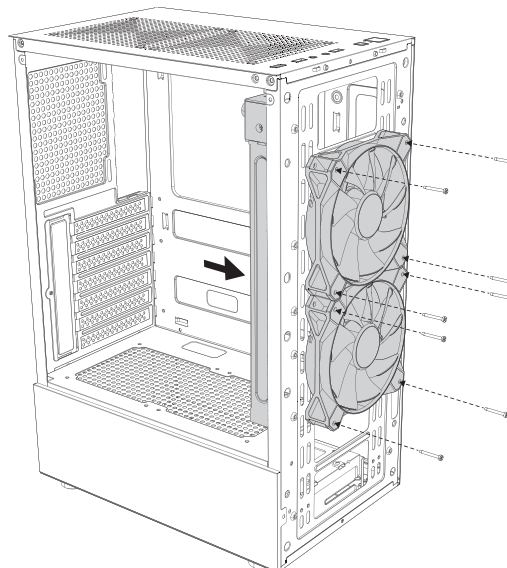
#### 6 FAN INSTALLATION

INSTALAR VENTILADOR  
LÜFTERINSTALLATION  
INSTALLATION DU VENTILATEUR  
팬 장착  
ケースファンの設置  
风扇安裝



#### 7 INSTALLING LIQUID COOLING RADIATOR

INSTALAR EL RADIADOR DE REFRIGERACIÓN LÍQUIDA  
INSTALLATION EINES FLÜSSIGKEITSKÜHLERS  
INSTALLATION D'UN KIT DE REFOUÏSSMENT LIQUIDE  
수냉쿨러 장착  
水冷の設置  
水冷安裝



**Antec**®

[www.Antec.com](http://www.Antec.com)

All rights reserved. Specifications are subject to change without prior notice. Actual products and accessories may differ from illustrations. Omissions and printing errors excepted. Content of delivery might differ in different countries or areas. Some trademarks may be claimed as the property of others.

V2.2

©1986 – 2022 Antec, Inc. All rights reserved.