



# **MEG PROSPECT 700R**








## **PC Case**

User Guide  
使用手冊

## Contents / 目錄

Accessories / 配件 .....	3
Specification / 產品規格 .....	5
Case Features / 機殼特色 .....	6
Side & Front View / 側面和前面 .....	7
IO Panel / IO 面板 .....	8
SSD, HDD Installation / 安裝 SSD 和硬碟 .....	9
Side Covers Removal / 移除側板 .....	10
Front Bezel Removal / 移除前面板 .....	12
Water Cooling Radiator Installation / 安裝水冷排 .....	13
Back Cable Cover Replacement / 替換後遮線檔版 .....	16
E-ATX Motherboard Bracket Replacement / 替換 E-ATX 主機板支架 .....	17
Motherboard Installation / 安裝主機板 .....	18
Horizontal Graphics Card Installation / 安裝橫式顯示卡 .....	19
Vertical Graphics Card Installation / 安裝直立式顯示卡 .....	20
PSU Installation / 安裝電源供應器 .....	22
Cable Connection / 連接接頭 .....	23
Control Board Connection / 連接控制版 .....	24
Touch Panel / 觸控面板 .....	25
Touch Panel Interface / 觸控面板介面 .....	26

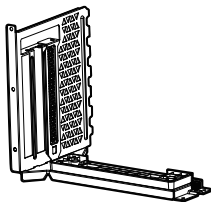
## Accessories / 配件

Item 項目	Name 名稱 / Q'ty 數量	Used for 用途
	Cable ties 束線帶 x6	Cable management 整線
	L-shaped Screwdriver L 型螺絲起子	Securing vertical graphics card & holder 固定垂直顯示卡 & 支架
	Screw M3 5mm x29	Motherboard / SSD / PCIe riser cable 主機板 / SSD / PCIe 轉 接線
	Screw #6-32 5mm x6	Securing E-ATX motherboard bracket 固定 E-ATX 主機板支架
	Screw #6-32 6mm 六角螺絲 x8	PSU / PCIe card 電源供應器 / PCIe 卡
	Screw #6-32 6mm 手轉螺絲 x2	HDD 硬碟
	Screw #6-32 6mm 手轉台階螺絲 x3	Securing vertical graphics card holder 固定垂直顯示卡支架
	Screw #6-32 7.5mm 平頭螺絲 x8	Securing liquid cooling radiator 固定水冷排

Item 項目

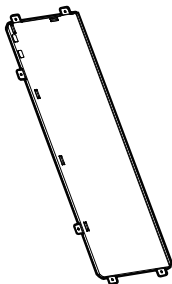
Name 名稱 / Q'ty 數量

Used for 用途



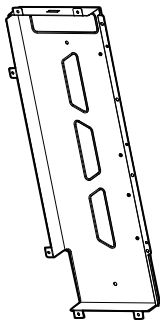
Vertical graphics card  
holder kit  
垂直顯示卡支架套件  
x1

Installing  
graphics card  
安裝顯示卡



Back cable cover  
後遮線檔版  
x1

Replacing the  
side fan bracket  
替換側風扇支架



E-ATX  
motherboard bracket  
E-ATX 主機板支架  
x1

Securing  
E-ATX motherboard  
固定 E-ATX 主機板

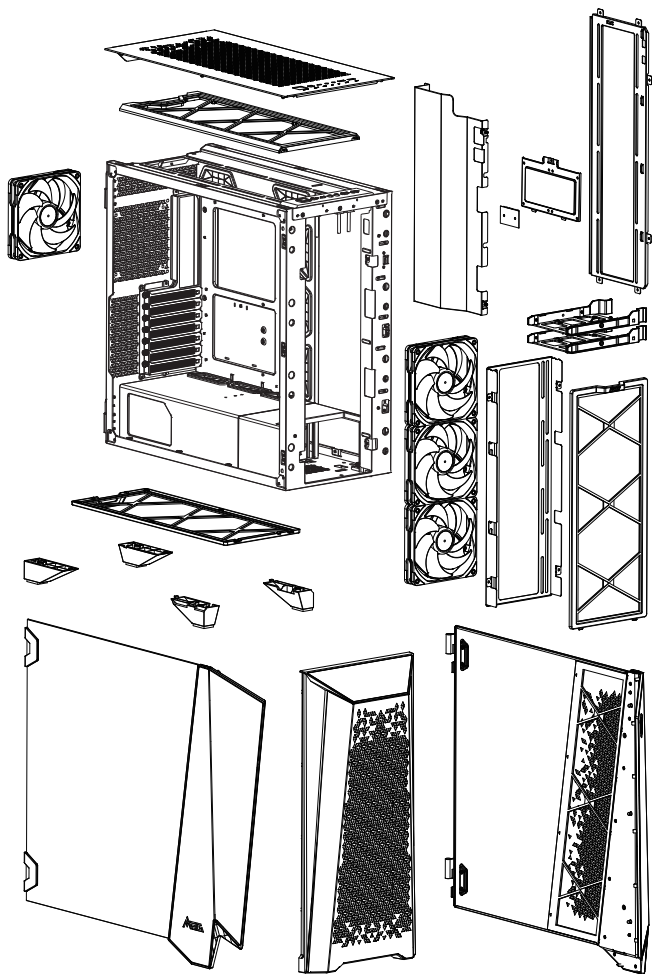
\* Support E-ATX  
motherboard up to  
310mm x 304.8mm.  
E-ATX 主機板尺寸最大可  
支援 310mm x 304.8mm.



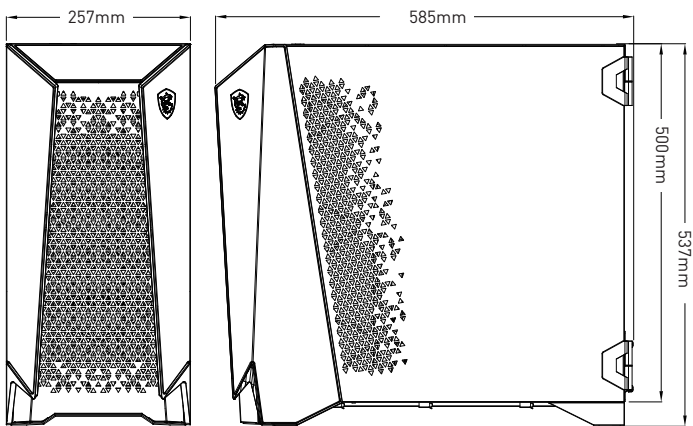
## Specification / 產品規格

Size 尺寸	Mid-Tower
Touch Panel 觸控面板	4.3" LCD Pixel & Definition: 480 x 800 Active Area: 95.04mm(H) x 53.86mm(V)
Pre-Installed Fan 預裝風扇	Front: 3x 140 mm ARGB fans Rear: 1x 140 mm ARGB fan
Material 材質	Top Panel: Steel ( 鋼板 ) Chassis: Steel (SPCC 0.8 mm) ( 鋼板外框 ) Right Side Panel: Steel ( 右側鋼板 ) Left Side Panel: Tempered glass ( 左側強化玻璃 ) Front Bezel: Plastic + Mesh + Steel ( 前面板 : 塑膠 + 防塵濾網 + 鋼板 )
Dust Filters 防塵濾網	Front, Top, Side: Metal vents + Magnetic frame dust filter ABS mesh( 前面、頂部、側邊金屬框 +ABS 磁性框防塵濾網 ) Bottom removable dust filter ABS mesh ( 底部 ABS 抽屜式磁性防塵濾網 )
Fan Support 支援風扇	Top: 3 x 120 mm / 3x 140 mm Front: 3 x 120mm / 3 x 140mm Rear: 1 x 120 mm / 1 x 140mm Side: 3 x 120mm (The side panel fans cannot be installed simultaneously with E-ATX motherboard. 側板風扇與 E-ATX 主板無法同時安裝 )
Drive Bays 硬碟槽	2 x 2.5" SSD mounting brackets ( 2.5" SSD 安裝支架 ) 2 x 3.5" drive bays ( 3.5" 硬碟槽 )
Expansion Slots 擴充槽	Supports 7 expansion slots ( 支援 7 個擴充槽 )
IO Panel IO 面板	1 x Power button/ 電源按鈕 1 x Reset button / 重新開機按鈕 1 x USB 3.2 Gen 2x2 Type-C 1 x Audio-out / 音訊輸出 1 x Mic-in / 音訊輸入 2 x USB 3.2 Gen1 Type-A 1 x Touch Panel / 觸控面板
Radiator Support 支援水冷排	Top: 120 / 140 / 240 / 280 / 360 mm Front: 120 / 140 / 240 / 280 / 360 mm Rear: 120 / 140mm Side: 120 / 240 / 360 mm
Clearance 空間	CPU Cooler Height (CPU 散熱器高度 ): Max 185 mm ( 7.28 inch) Graphics Card Length ( 顯示卡長度 ): Max 400 mm (15.75 inch) PSU Length ( 電源供應器長度 ): Max 220 mm (8.66 inch)
Case Dimensions 機殼尺寸	585(D) x 257(W) x 537(H) mm 23.03 (D) x 10.12 (W) x 21.14 (H) inch
Motherboard Support 支援主機板	E-ATX (up to 310mm x 304.8mm) / ATX / Micro-ATX / Mini-ITX

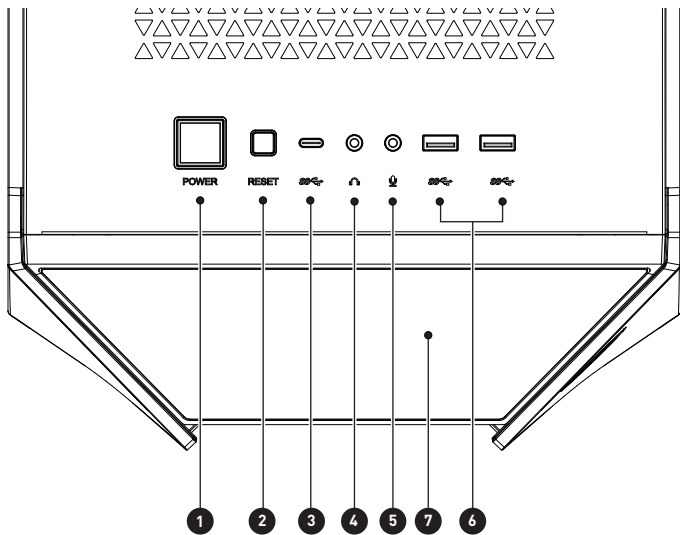
## Case Features / 機殼特色



## Side & Front View / 側面和前面

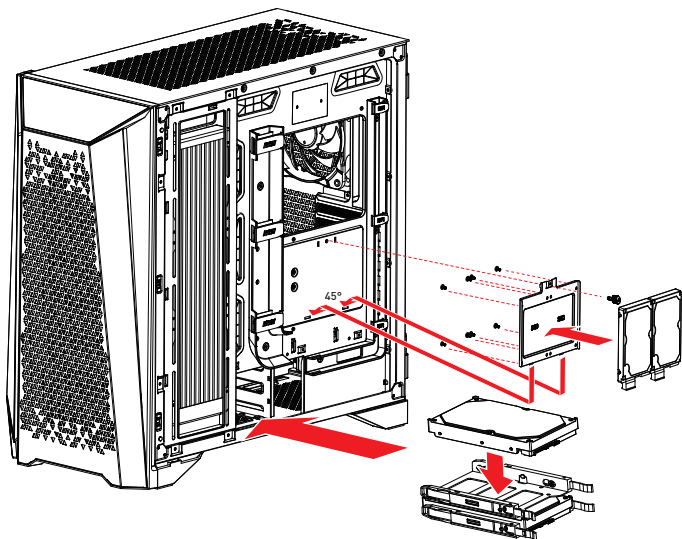


## IO Panel / IO 面板



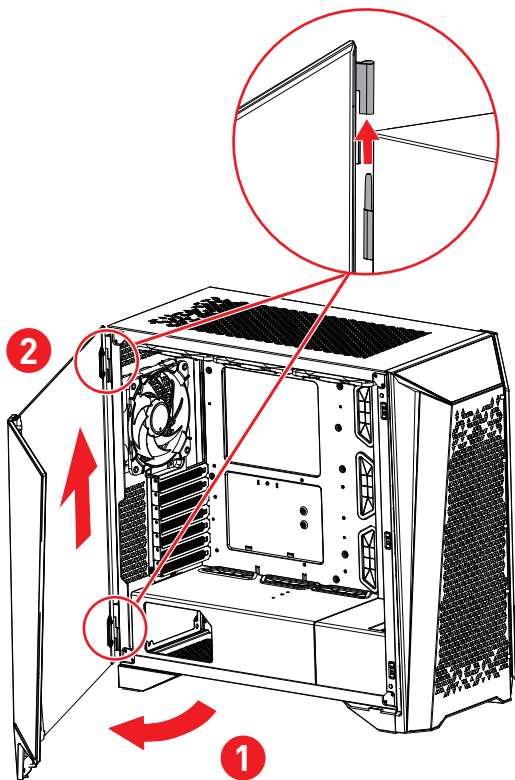
1. Power button / 電源按鈕
2. Reset button / 重新開機按鈕
3. USB 3.2 Gen 2x2 Type-C
4. Audio-out / 音訊輸出
5. Mic-in / 音訊輸入
6. USB 3.2 Gen 1 Type-A
7. Touch Panel / 觸控面板

## SSD, HDD Installation / 安裝 SSD 和硬碟



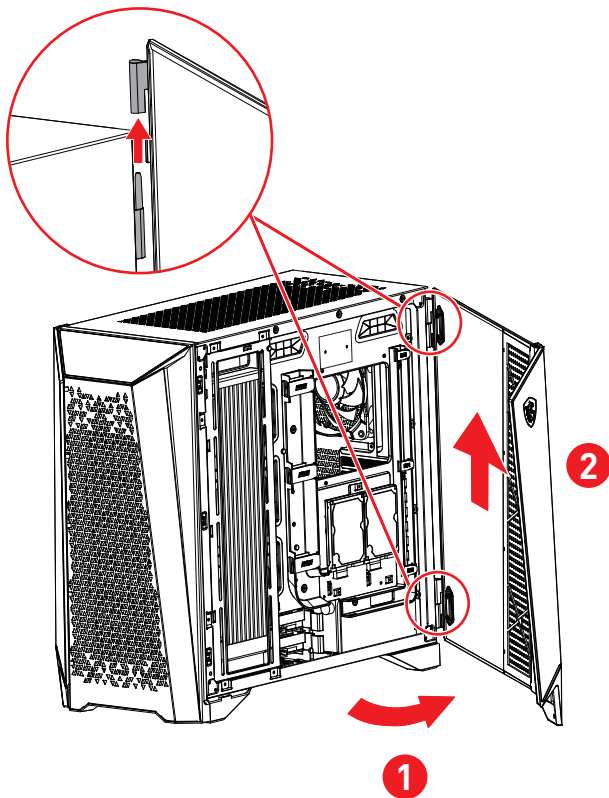
## Side Covers Removal / 移除側板

### Left side cover 左側板



Continued on next page 下頁繼續

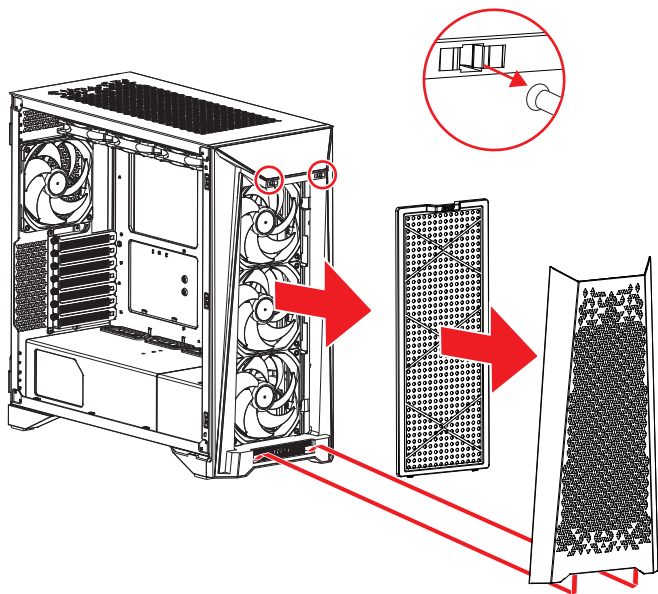
## Right side cover 右側板



## Front Bezel Removal/ 移除前面板

Remove the left and right side covers first, before opening the front bezel.

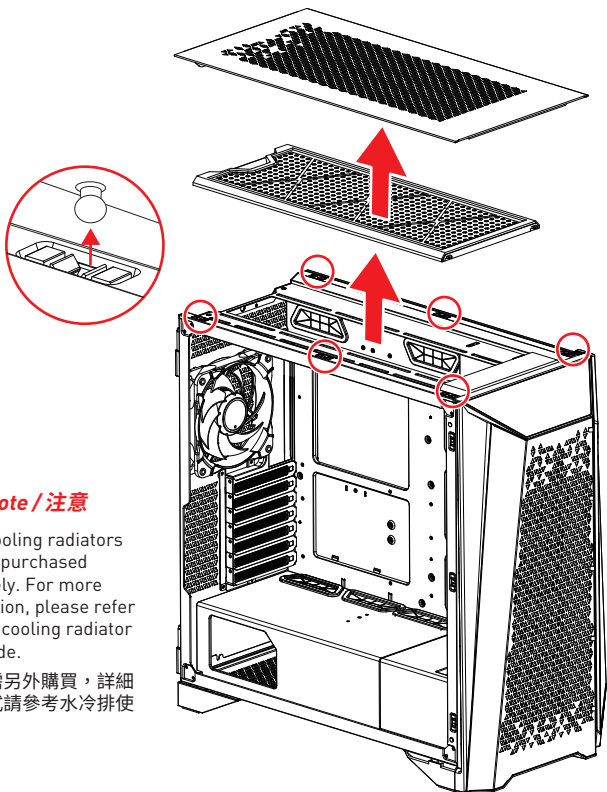
移除面板前，請先移除左右側板。





## Water Cooling Radiator Installation/ 安裝水冷排

### Top water cooling radiator 頂部水冷排

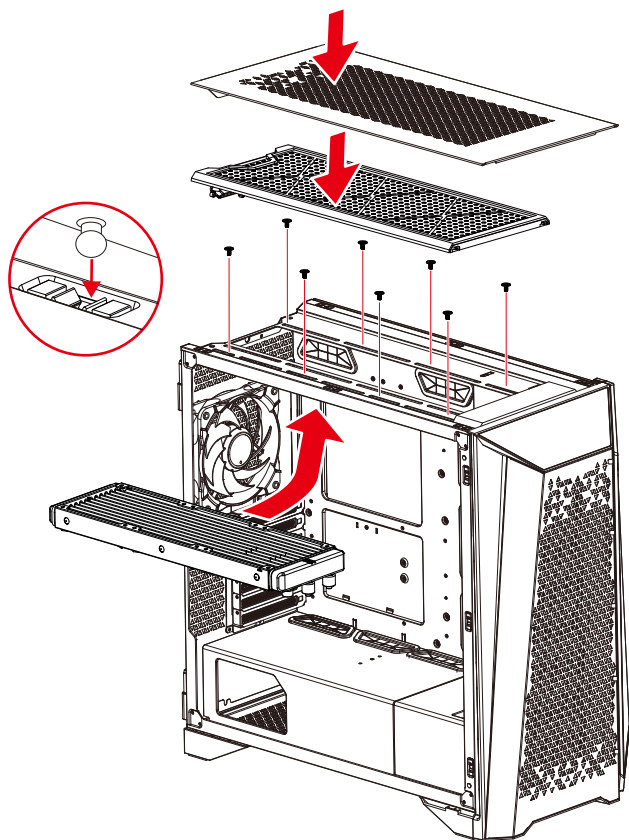


### Note / 注意

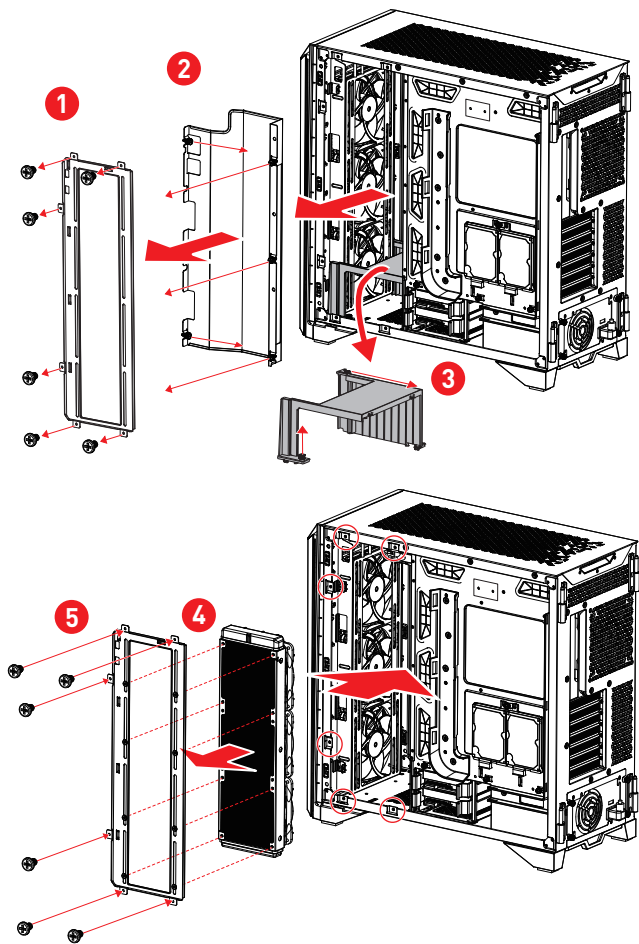
Water cooling radiators must be purchased separately. For more information, please refer to water cooling radiator user guide.

水冷排需另外購買，詳細安裝方式請參考水冷排使用手冊。

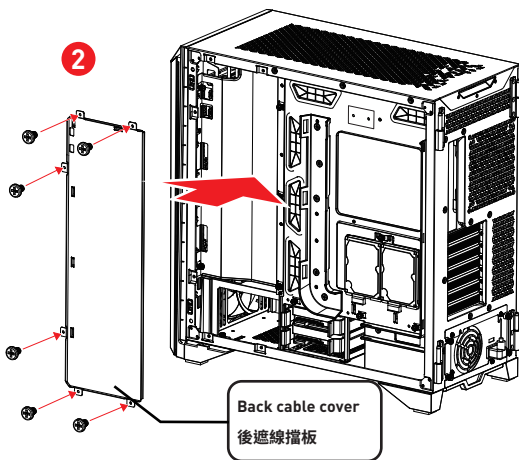
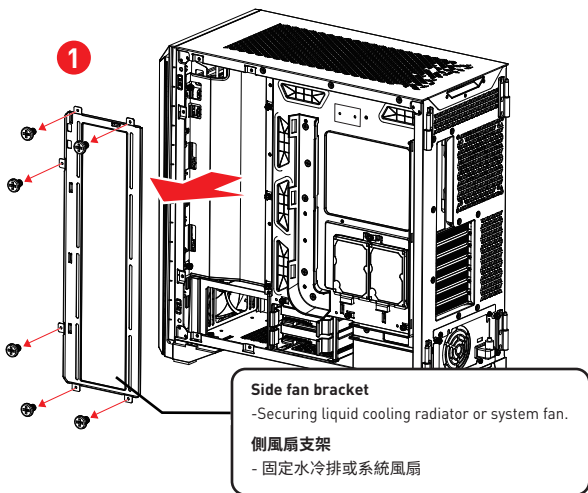
Continued on next page 下頁繼續



## Side water cooling radiator 側邊水冷排

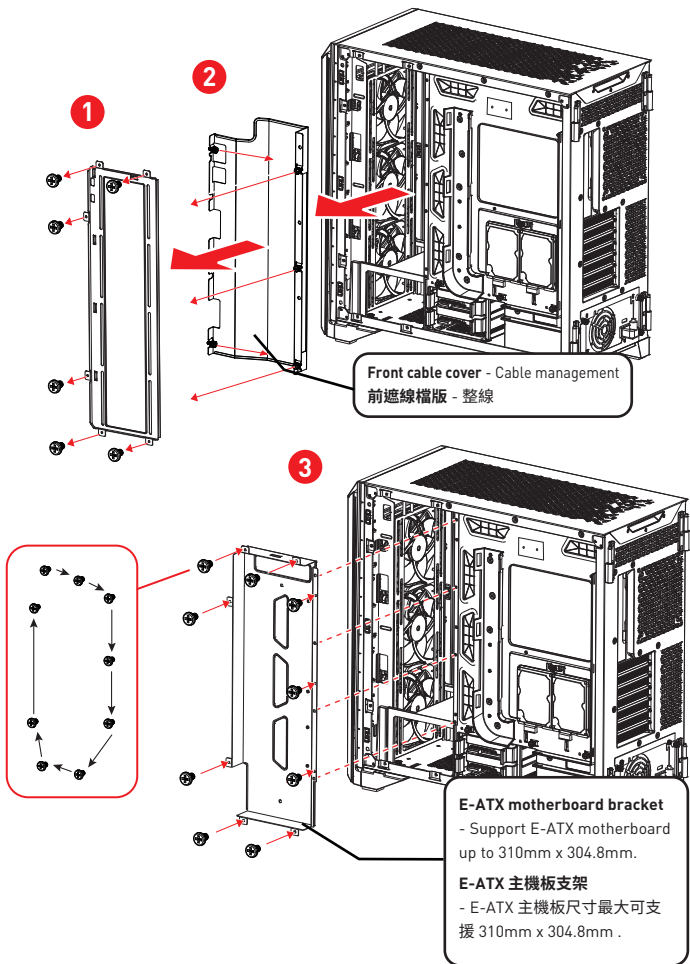


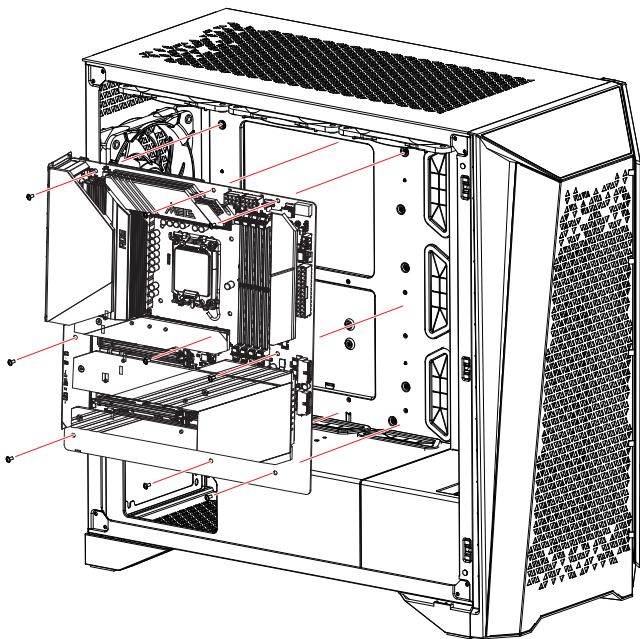
## Back Cable Cover Replacement / 替換後遮線擋板



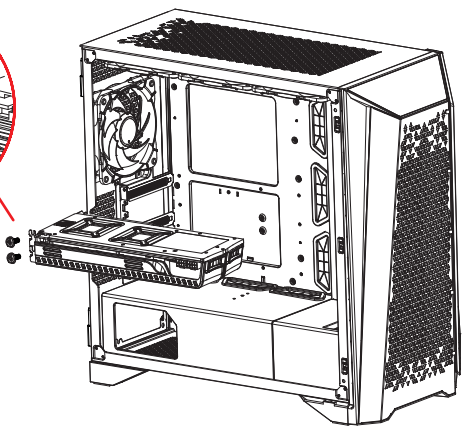
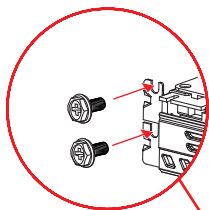
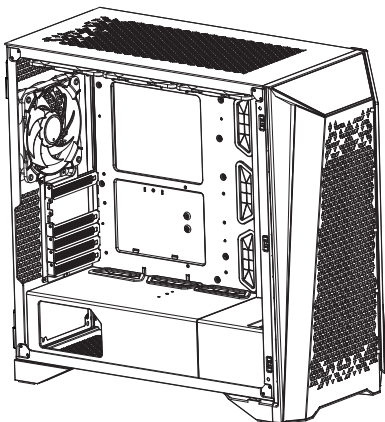
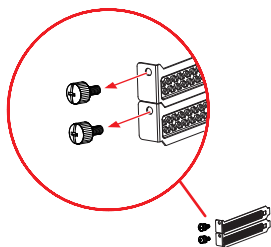
## E-ATX Motherboard Bracket Replacement

### / 替換 E-ATX 主機板支架

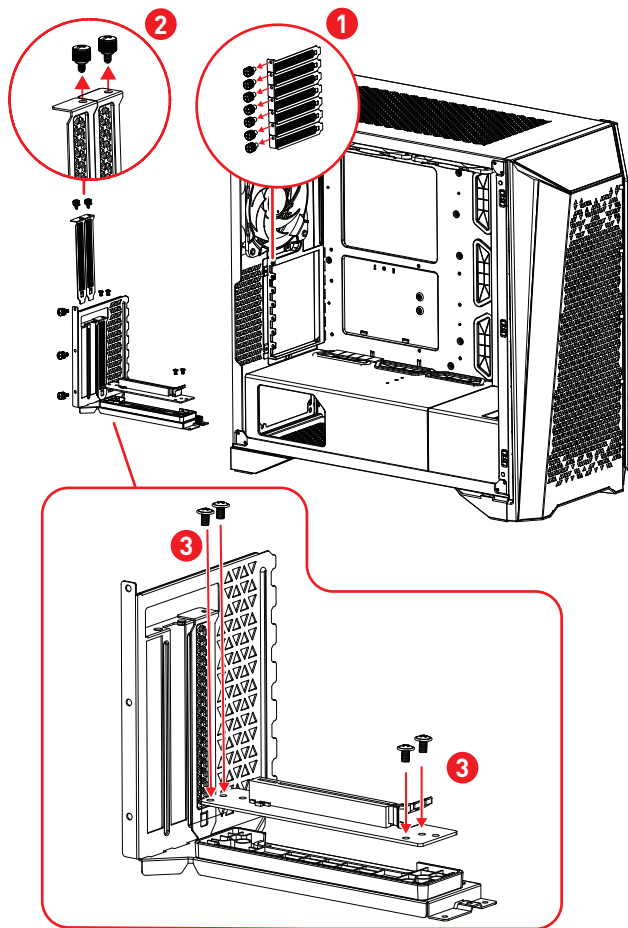




## Horizontal Graphics Card Installation / 安裝橫式顯示卡

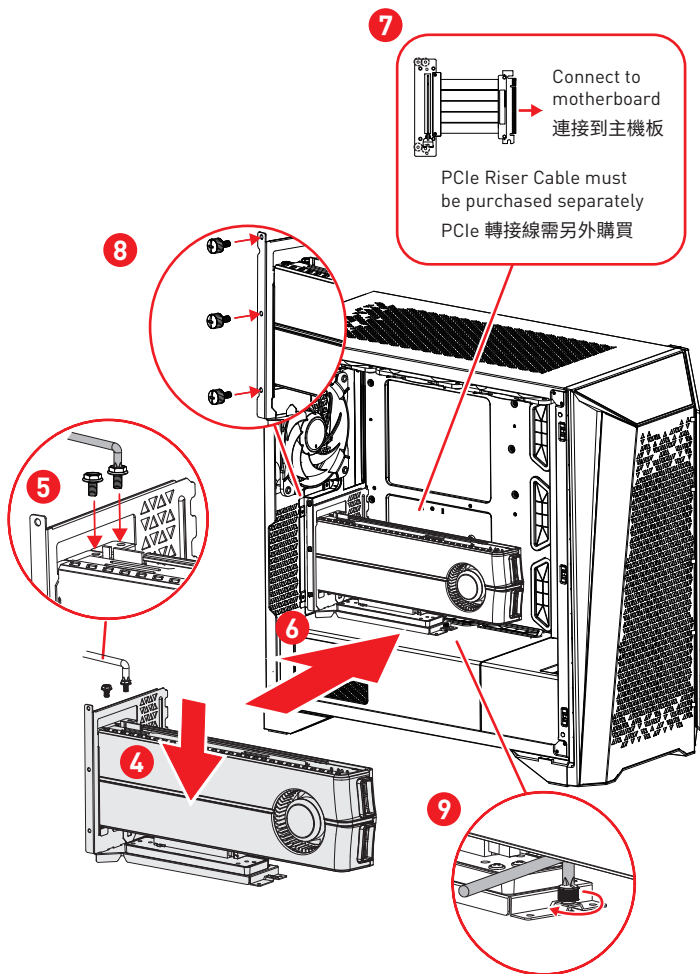


## Vertical Graphics Card Installation / 安裝直立式顯示卡

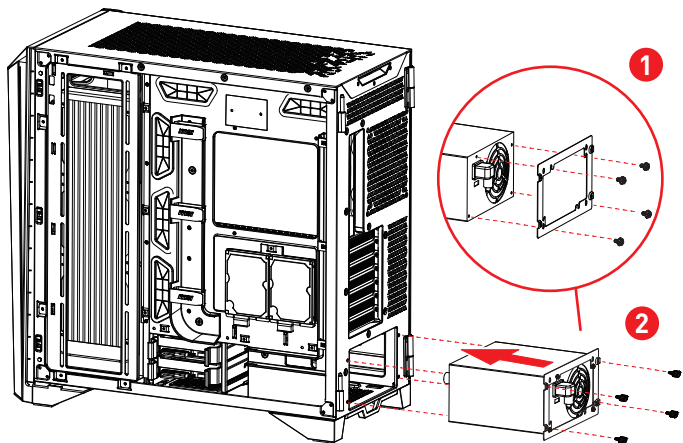


Continued on next page 下頁繼續

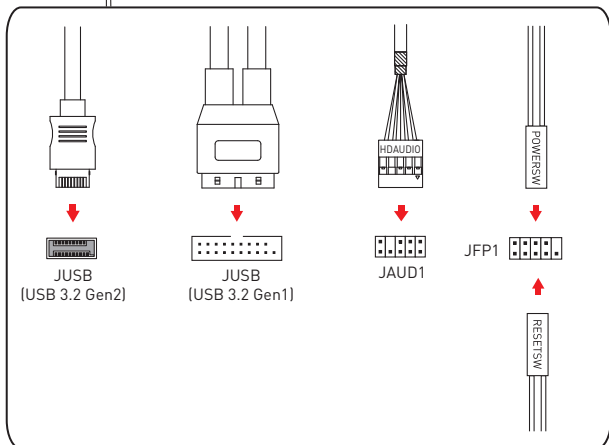
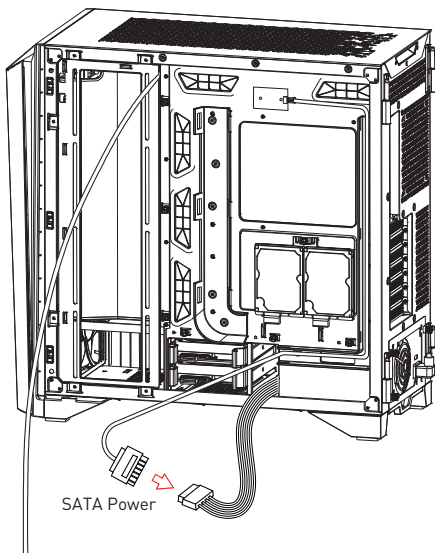




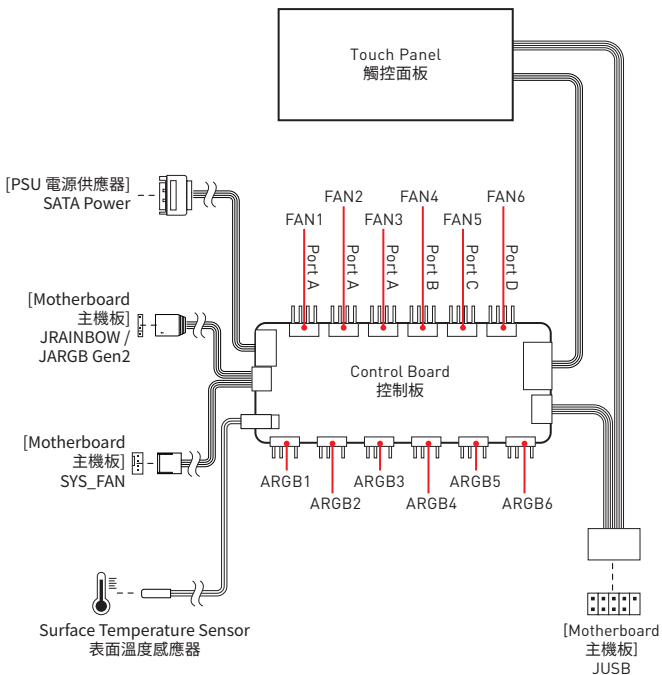
## PSU Installation / 安裝電源供應器



## Cable Connection / 連接接頭



## Control Board Connection / 連接控制版



### Note / 注意

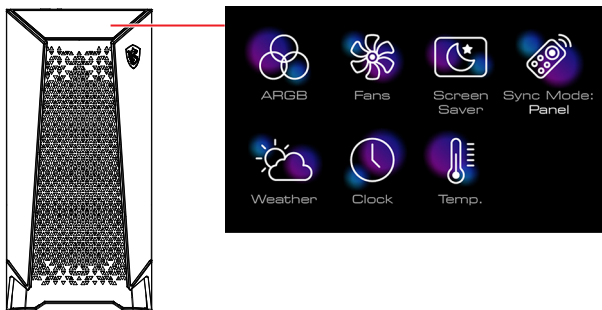
- Supports up to 128 LEDs. Exceeding this limit will lead to overheating, abnormal colors, or malfunction.
- Only support 4-pin PWM fan.
- Please make sure all cables are properly connected before turning the power on.

- 最大支援 128 顆 LED，超過此限定會導致過熱、異色、不亮。
- 僅支援 4-pin PWM 風扇。
- 開啟電源前，請確保所有線材均連接妥善。

## Touch Panel / 觸控面板

Touch panel allows you to control and monitor your system status, display the current time and weather information, as well as create your own screen saver animations. You can configure and customize the touch panel by using MSI Center.

觸控面板可用於控制並監控系統狀態，顯示及時的天氣及時間，也可自訂螢幕保護程式。您可以使用 MSI Center 來設定並客製化您的觸控面板。



## MSI Center User Guide / MSI Center 使用手冊



If you would like to know more information about MSI Center, please refer to <http://download.msi.com/manual/mb/MSICENTER.pdf> or scan the QR code to access.

如需 MSI Center 詳細資訊，請參考下方連結：  
<http://download.msi.com/manual/mb/MSICENTER.pdf>  
或掃描左方 QR Code。

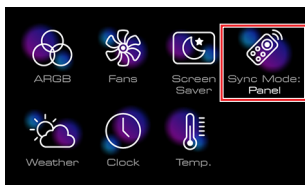


### Note / 注意

- **Weather** and **Clock** features are only available after installing MSI Center.
- 天氣、時鐘 功能需安裝 MSI Center 才可使用。

# Touch Panel Interface / 觸控面板介面

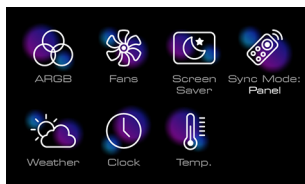
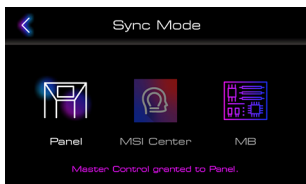
## Setting Sync Mode / 設定同步模式



Tap to set Sync Mode  
點擊以設定同步模式

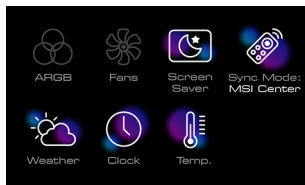
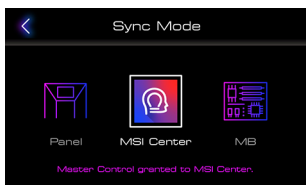
### • Sync Mode - Panel / 同步模式 - 面板

Controls ARGB and Fans with touch panel.



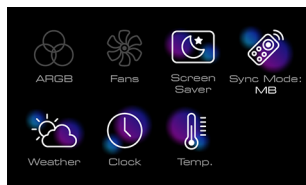
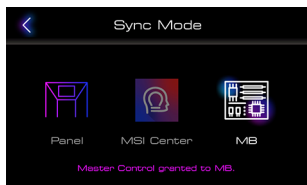
### • Sync Mode - MSI Center / 同步模式 - MSI Center

Controls ARGB and Fans with MSI Center.



- **Sync Mode - Motherboard / 同步模式 - 主機板**

In Sync with motherboard settings.

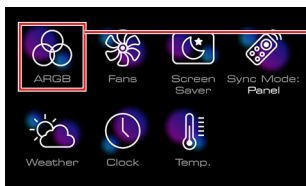


**Note / 注意**

- When **Sync Mode - MSI Center** and **Sync Mode - Motherboard** are enabled; **ARGB** and **Fans** will be grayed out and can only be set in MSI Center.

- 當 **同步模式 - MSI Center**、**同步模式 - 主機板** 啟用時 **ARGB**、**風扇** 將反灰，僅能透過 **MSI Center** 設定。

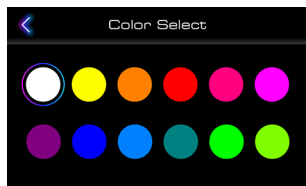
## Setting ARGB / 設定 ARGB



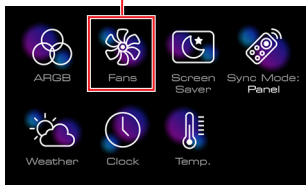
Tap to set ARGB  
點擊以設定 ARGB



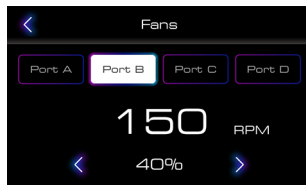
Tap to access Color Select page  
點擊以進入顏色選擇頁面



## Setting Fans / 設定風扇



Tap to set fans  
點擊以設定風扇



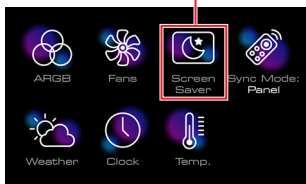
### Note / 注意

- The adjustable fan speed is subject to the limitations of the fan.
- MSI Center provides advanced settings for your fans. Download it for more information.
- 風扇轉速調整範圍請參考其上限。
- 您可安裝 MSI Center 以調整風扇的進階設定。



## Setting Screen Saver / 設定螢幕保護程式

Tap to set Screen Saver  
點擊以設定螢幕保護程式



Tap to preview  
點擊以預覽



select the wait time  
選擇等候時間



### Note / 注意

- You can choose from 3 default animations, or upload your own animation in MSI Center. Please note that animations should be in **.mp4 format** and **should not exceed 5 minutes** in length.
- When **Sleep mode** is set ON  OFF , the touch panel will turn black after running the animation for 60 seconds.
- 系統內建 3 款動畫可選擇，您也可透過 MSI Center 上傳您的動畫。請注意，動畫需為 **.mp4 格式** 且長度以 **5 分鐘** 為限。
- 當**睡眠模式**開啟時  OFF ，觸控面板會在播放 60 秒的動畫後進入黑畫面。

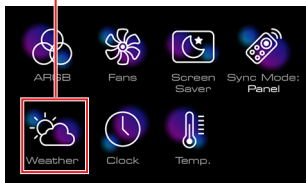
## Setting Weather / 設定天氣



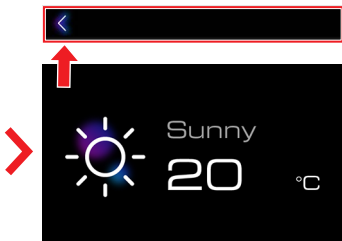
Please Install MSI Center to enable functions.

請安裝 MSI Center 已啟動此功能。

Tap to set Weather  
點擊以設定天氣



Tap any space on the screen to display home button.  
點擊螢幕上任一位置以開啟回首頁按鈕。



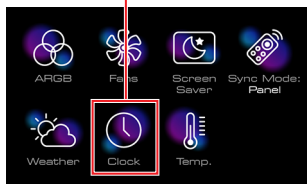
## Setting Clock / 設定時鐘



Please Install MSI Center to enable functions.

請安裝 MSI Center 已啟動此功能。

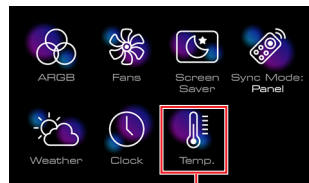
Tap to set Clock  
點擊以設定時鐘



Tap to access Clock Style page  
點擊以進入時鐘風格頁面



## Setting Temp. / 設定溫度監測功能



Tap to set Temp.  
點擊以設定溫度監測功能



Tap to switch the unit  
點擊以切換單位



### Note / 注意

- Please turn off the system if the above error message appears. Then check to make sure that SATA power and USB cables are connected properly before turning the system on.
- 如果出現上圖錯誤訊息，請先關機。確認 SATA 電源線及 USB 線連接妥善再開機。